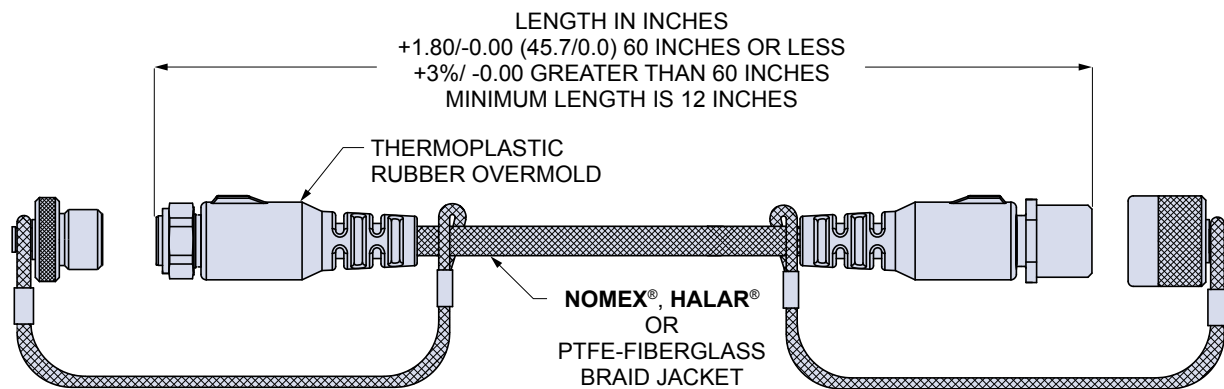




Series 805 Mighty Mouse Triple-Start ACME Thread Flexible, Lightweight Phantom Cable Cordsets

805-057, 058, 059 and -060 Ordering Information

Series 805 "Phantom Cable" Cordsets size #12 thru #23 Contacts										
Sample Part Number										
805-027	-B	N	2	Z1	5-3	N	A	-60	C	N
Series	End A Connector	End B Connector	Wire Size	Shell Material/ Finish	Insert Arr.	Protective Cover	Shell Key Pos.	Length	Shield Option	Jacket Option
Size #23 Contacts 805-057 Phantom Cable Cordset	-A Plug, with Male Pin Contacts	A Plug, with Male Pin Contacts	Size #23 Contacts 4 #24 AWG	M Aluminum / Electroless Nickel	Available in Shell Sizes 8 Thru 19	P Metal Protective Covers Included	A Normal B Pos. B C Pos. C D Pos. D E Pos. E F Pos. F	Overall Length In Inches 12 Inch Min.	A Amberstrand B Armorlite C Tin-Coated Copper	D Nomex, Olive Drab N Nomex, Black H Halar (Monofil) P Peek (Monofil)
Size #20 HD Contacts 805-058 Phantom Cable Cordset	-C Rec. with Male Pin Contacts	C Rec. with Male Pin Contacts	Size #20 HD Contacts 0 #20 AWG	ZNU Aluminum / Zinc-Nickel with Black Chromate	See Cont. Arr. Page H-3	N No Covers Supplied				
Size #16 Contacts 805-059 Phantom Cable Cordset	-D Rec. with Female Socket Contacts	D Rec. with Female Socket Contacts	Size #16 Contacts 6 #16 AWG 8 #18 AWG	MT Aluminum / Nickel-PTFE Z1 Stainless Steel / Passivated			See key positions on page H-5			
Size #12 Contacts 805-060 Phantom Cable Cordset		N No Connector (Single-Ended)	Size #12 Contacts 2 #12 AWG 4 #14 AWG							



NOTES

1. Double-ended cordsets are wired pin #1 to pin #1, #2 to #2, and so on.
2. Wires are silver-coated stranded copper with TPE insulation, 600V, UL VW-1 rated.
3. Wires are white with color stripe per MIL-STD-681. Wire #1 is WHT/BLK, wire #2 is WHT/BRN, etc.

Dimensions in Inches (millimeters) are subject to change without notice.