

MTC-6019-PDR

19" Fanless Multi-Touch Computer with 6th Generation Intel® Core™ i7/i5/Celeron® SoC, 2 Powered Device (PD) GigE LAN, 2 SSD Tray, 2 SIM Socket, 5 USB 3.0, 16 Isolated DIO



Features

- 19" FT LCD panel with LED backlight
- Projected Capacitive Multi-touch Screen with 7H anti-scratch surface, up to 10-point Multi-touch
- Fanless, Intel® Core™ i7-6600U/i5-6300U/Celeron® 3955U Processor (Skylake-U)
- 2 Independent GigE LAN support IEEE 802.3at Powered Device (PD) and iAMT 11.0
- 2 Mini PCIe for WiFi/4G/3G/LTE/GPRS/UMTS
- 16 Isolated DIO, 2 SSD Tray, 5 USB 3.0, 4 COM
- 6V to 36V DC-in, 80V Surge Protection, Ignition Power Control
- Touchscreen works with gloves
- IP65 Front Panel Protection



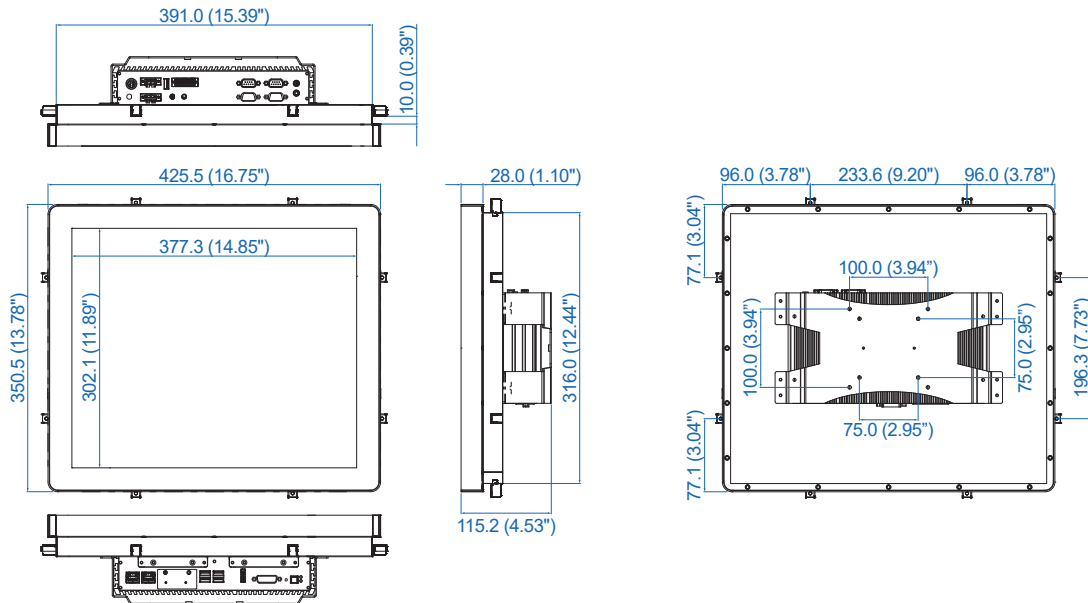
Specifications

| Panel | |
|---------------------------------|--|
| Panel Type | TFT LCD |
| Active Area | 19" (4 : 3) |
| Max. Resolution | 1280 x 1024 |
| Display Color | 16.7M (RGB 8-bit) |
| Backlight | LED Backlight |
| Brightness (cd/m ²) | 250 |
| Viewing Angle (H/V) | 85/85/80/80 |
| Contrast Ratio | 1000 : 1 |
| Touch Screen | |
| Touch Screen Type | 10-point Projected Capacitive |
| Transparency | ≥ 91% |
| Surface Hardness | 7H Surface Hardness |
| Control Interface | USB Interface |
| System | |
| Processor | Intel® Core™ i7/i5/Celeron® Processor (Skylake-U) |
| Chipset | Intel® SoC |
| Memory | 2 DDR4 2133MHz SO-DIMMs, up to 32GB |
| Graphics | Intel® HD Graphics 520 |
| Ethernet | <ul style="list-style-type: none"> ▪ Intel® I219 Gigabit LAN ▪ Intel® I210 Gigabit LAN |
| Audio | Realtek ALC892, 5.1 Channel HD Audio |
| I/O Interface | |
| Serial | 4 COM RS-232/422/485 |
| USB | 5 USB 3.0 |
| DIO | 16 Isolated DIO : 8 DI, 8 DO |
| LAN | 2 GigE LAN support IEEE 802.3at Powered Device (PD) |
| Audio | 1 Mic-in, 1 Line-out |
| Display | <ul style="list-style-type: none"> ▪ DVI-D : Up to 1920 x 1200 @ 60Hz ▪ DisplayPort : Up to 4096 x 2304 @ 60Hz |
| LED | Power, HDD, PD |
| CFast | 1 CFast Socket, Push-in/Push-out Ejector |
| SIM Card | 2 SIM Card Socket |
| Storage | |
| SATA | 2 SATA III (6Gbps) |
| mSATA | 1 SATA III (Mini PCIe Type, 6Gbps) |

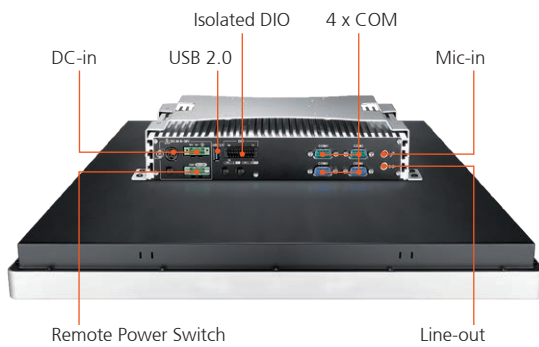
| Storage Device | <ul style="list-style-type: none"> ▪ 1 External CFast Socket ▪ 2 2.5" SSD/HDD Tray |
|------------------------|--|
| Power | |
| Power Input | 6V to 36V, DC-in |
| Power Interface | <ul style="list-style-type: none"> ▪ 3-pin Terminal Block : V+, V-, Frame Ground ▪ Mini-DIN 4-pin |
| Power Adapter | AC to DC 120W Power Adapter (Optional) |
| Ignition Control | 16 Mode (Internal) |
| Remote Switch | 3-pin Terminal Block : On, Off, IGN |
| Surge Protection | Up to 80V/1ms Transient Power |
| Others | |
| TPM | Optional Infineon SLB9665 supports TPM 2.0, LPC Interface |
| Watchdog Timer | Reset : 1 to 255 sec./min. per step |
| Smart Management | Wake on LAN, PXE supported |
| HW Monitor | Monitoring temperature, voltages. Auto throttling control when CPU overheats. |
| Software Support | |
| OS | Windows 10, Windows 8.1, Windows 7, Linux |
| Mechanical | |
| Dimensions (W x H x L) | 425.5mm x 350.5mm x 115.2mm (16.75" x 13.8" x 4.53") |
| Weight | 9.2 kg (20.26 lb) |
| Front Panel Protection | IP65 Compliant |
| Mounting | <ul style="list-style-type: none"> ▪ VESA Mount (75 x 75mm, 100 x 100mm) ▪ Panel Mount |
| Environment | |
| Operating Temperature | 0°C to 50°C (32°F to 122°F) |
| Storage Temperature | -20°C to 60°C (-4°F to 140°F) |
| Humidity | 10% to 90% Humidity, non-condensing |
| Relative Humidity | 95% @ 50°C |
| Shock | <ul style="list-style-type: none"> ▪ IEC 60068-2-27 ▪ 20G, Half-sine, 11ms |
| Vibration | <ul style="list-style-type: none"> ▪ IEC 60068-2-64 ▪ Non-operation : 10Hz to 200Hz, 1.5Grms, X, Y, Z, 30 mins each Axis |
| EMC | CE, FCC |

Dimensions

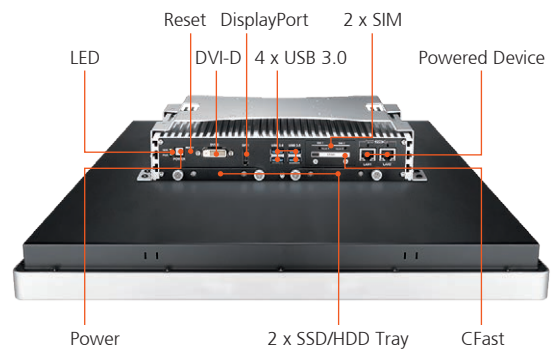
Unit : mm/ inch



Top I/O



Bottom I/O



Order Information

| | |
|-------------------------|--|
| MTC-6019-PDR600U | MTC-6019 19" Fanless Multi-Touch Computer, Intel® Core™ i7-6600U Processor (Skylake-U), 2 PD LAN, 2 Front-access SSD Tray, 5 USB 3.0, 3 USB 2.0, 32 GPIO |
| MTC-6019-PDR300U | MTC-6019 19" Fanless Multi-Touch Computer, Intel® Core™ i5-6300U Processor (Skylake-U), 2 PD LAN, 2 Front-access SSD Tray, 5 USB 3.0, 3 USB 2.0, 32 GPIO |
| MTC-6019-PDR955U | MTC-6019 19" Fanless Multi-Touch Computer, Intel® Celeron® 3955U Processor (Skylake-U), 2 PD LAN, 2 Front-access SSD Tray, 5 USB 3.0, 3 USB 2.0, 32 GPIO |

Accessories

| | |
|------------------------------------|---|
| DDR4 16G | Certified DDR4 16GB 2133MHz RAM |
| DDR4 8G | Certified DDR4 8GB 2133MHz RAM |
| DDR4 4G | Certified DDR4 4GB 2133MHz RAM |
| PWA-120W | 120W, 24V, 90VAC to 264VAC Power Adapter with 3-pin Terminal Block |
| PWA-120WM4P | 120W, 24V, 90VAC to 264VAC Power Adapter with 4-pin Mini-DIN Connector |
| PWA-160W-WT | 160W, 24V, 85VAC to 264VAC Power Adapter with 3-pin Terminal Block, Wide Temperature -30°C to +70°C |
| Panel-Mount | Panel Mount Kit |
| VESA Stand | VESA Table Stand |
| TMK2-20P-100 | Terminal Block 20-pin to Terminal Block 20-pin Cable, 100cm |
| TMK2-20P-500 | Terminal Block 20-pin to Terminal Block 20-pin Cable, 500cm |
| TMB-TMBK-20P | Terminal Board with One 20-pin Terminal Block Connector and DIN-Rail Mounting |
| 3G Module | Mini PCIe 3G/GPS Module with Antenna |
| 4G Module | Mini PCIe 4G/GPS Module with Antenna |
| WiFi & Bluetooth Module | Mini PCIe WiFi & Bluetooth Module with Antenna |