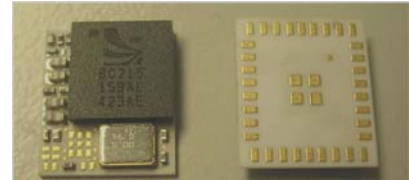


DLBM-CF121

Bluetooth™ Module Class 2

A Class 2 Bluetooth™ module suitable for various applications.



1. FEATURES:

- **Built-in 4M Flash memory.**
- **Suitable for Cellular, PDA, PC, GPS... applications.**
- **Reducing the size and thickness greatly using high-density packaging technology.**
- **High sensitivity to achieve better performance.**
- **Compliant to various interfaces: UART, USB, PCM, PIO...**
- **Wide operating temperature range: -30~+80 °C.**

2. Device diagram

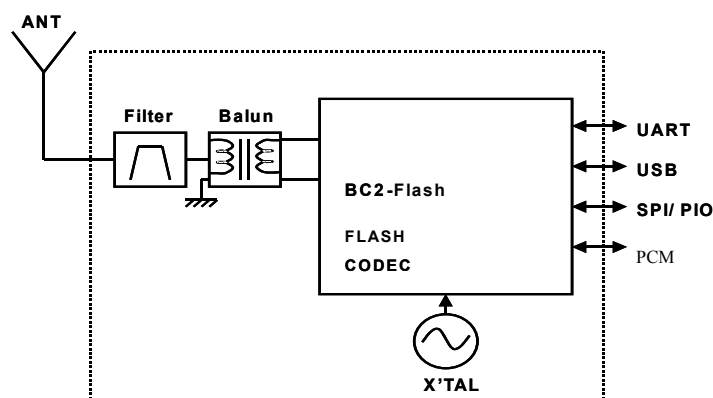


Figure 1. DLBM-CF121 Block Diagram



Preliminary

DLBM-CF121-MT00

3. General Specification

| Bluetooth™ Specification | Version 1.1 |
|--------------------------|----------------|
| Frequency | 2402~2480MHz |
| Modulation | FHSS/GFSK |
| Transmission rate | 721kbps |
| Receive sensitivity | -80 dBm |
| Maximum output power | +4dBm(Class 2) |
| Operating Voltage | 2.7~3.6V |
| Operating temperature | -30~+80°C |
| Antenna Impedance | 50 ohm |
| Package size | 9.1*7.9*1.6mm |
| Operating range | < 10 meters |
| Flash memory | 4M bit |

4. Rating

| | Min | Max | Unit |
|---------------------|------|------|------|
| Storage Temperature | -40 | +85 | °C |
| VDD_1.8V | -0.4 | +1.9 | V |
| VDD_IO | -0.4 | +3.6 | V |
| VREG_IN | -0.4 | +3.6 | V |

5.Interface

| Interface | Description |
|----------------|--|
| Antenna | External Antenna 50 ohm |
| UART Interface | TX,RX,RTS,CTS(9600bps~1.5Mbps) |
| SPI Interface | Synchronous Serial Interface for firmware download |
| PIO Interface | 9 terminals |

6.Power Supply Diagram

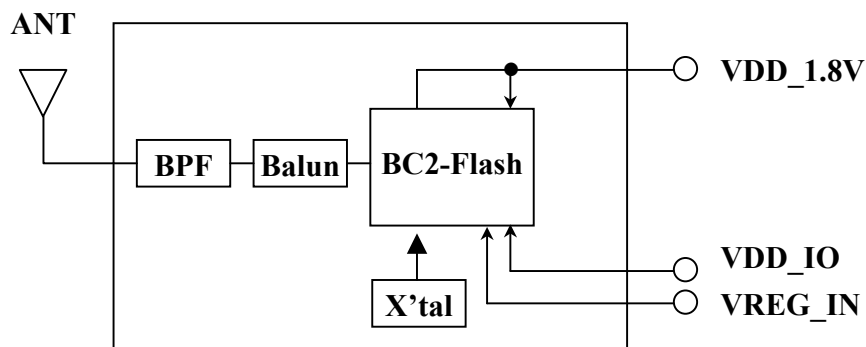


Figure 2. Power Supply Diagram



DLBM-CF121-MT00

7.RF Characteristics

Operating Condition: +25°C, VDD=2.7V

| RF Characteristics | Min. | Typ. | Max. | Unit |
|--|---------------|------|------|------|
| 1. Frequency Range | 2400 ~ 2483.5 | | | MHz |
| 2. Output Power | | 0 | 4 | dBm |
| 3. Sensitivity at 0.1% BER | | | | |
| 1) 2402MHz | | -80 | | dBm |
| 2) 2441MHz | | -80 | | dBm |
| 3) 2480MHz | | -80 | | dBm |
| 4. Maximum Input Level (BER≤0.1%) | | 3 | | dBm |
| 5. Adjacent channel selectivity | | | | |
| 1) C/I F=F ₀ + 1MHz | | -4 | 0 | dB |
| 2) C/I F=F ₀ - 1MHz | | -4 | 0 | dB |
| 3) C/I F=F ₀ + 2MHz | | -35 | -30 | dB |
| 4) C/I F=F ₀ - 2MHz | | -21 | -20 | dB |
| 5) C/I F≥F ₀ + 3MHz | | -45 | | dB |
| 6) C/I F≤F ₀ - 5MHz | | -45 | | dB |
| 7) C/I F=F _{image} | | -18 | -9 | dB |
| 6. Adjacent channel transmit power | | | | |
| 1) F=F ₀ ± 2MHz | | -35 | | dBc |
| 2) F=F ₀ ± 3MHz | | -55 | | dBc |
| 7. Modulation Characteristics | | | | |
| 1) Modulation Δf _{1avg} | | 165 | | kHz |
| 2) Modulation Δf _{2max} | | 155 | - | kHz |
| 8. Initial Carrier Frequency Tolerance | | | | |
| 1) 2402MHz | -75 | | 75 | kHz |
| 2) 2441MHz | -75 | | 75 | kHz |
| 3) 2480MHz | -75 | | 75 | kHz |

Preliminary



DLBM-CF121-MT00

| | | | | |
|---|--|-----|--|----------|
| 9. Carrier Frequency Drift | | | | |
| 1) 1slot | | 9 | | kHz |
| 2) 5slot | | 10 | | kHz |
| 4) Drift rate | | 8 | | KHz/50us |
| 10. 20dB Bandwidth for modulated carrier | | | | |
| 1) 2402MHz | | 879 | | KHz |
| 2) 2441MHz | | 816 | | KHz |
| 3) 2480MHz | | 819 | | KHz |
| 11.C/I co - channel | | 9 | | dB |

8. Application circuit

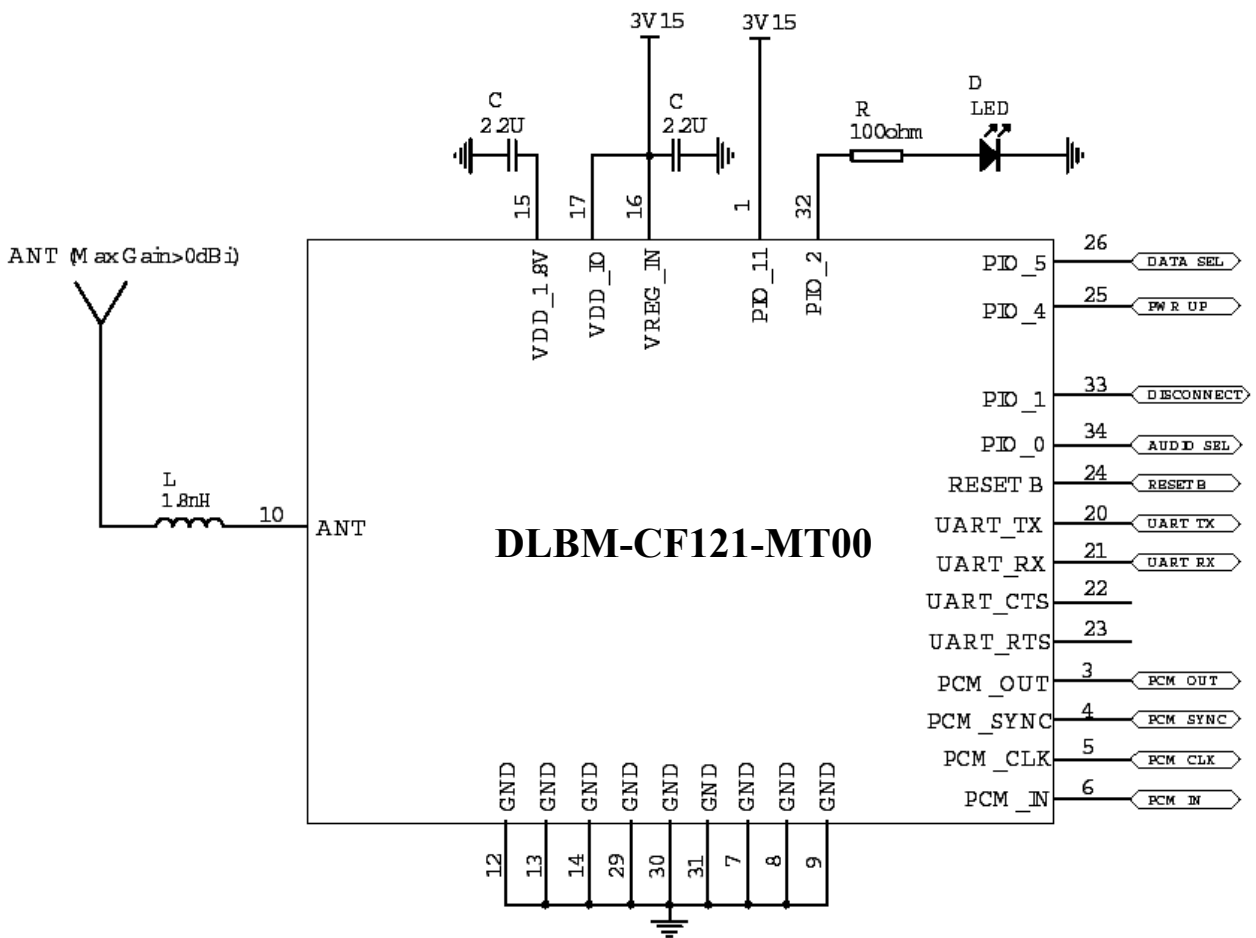


Figure 3. 2.7~3.6V Supply

9. Basic Embedded Architecture

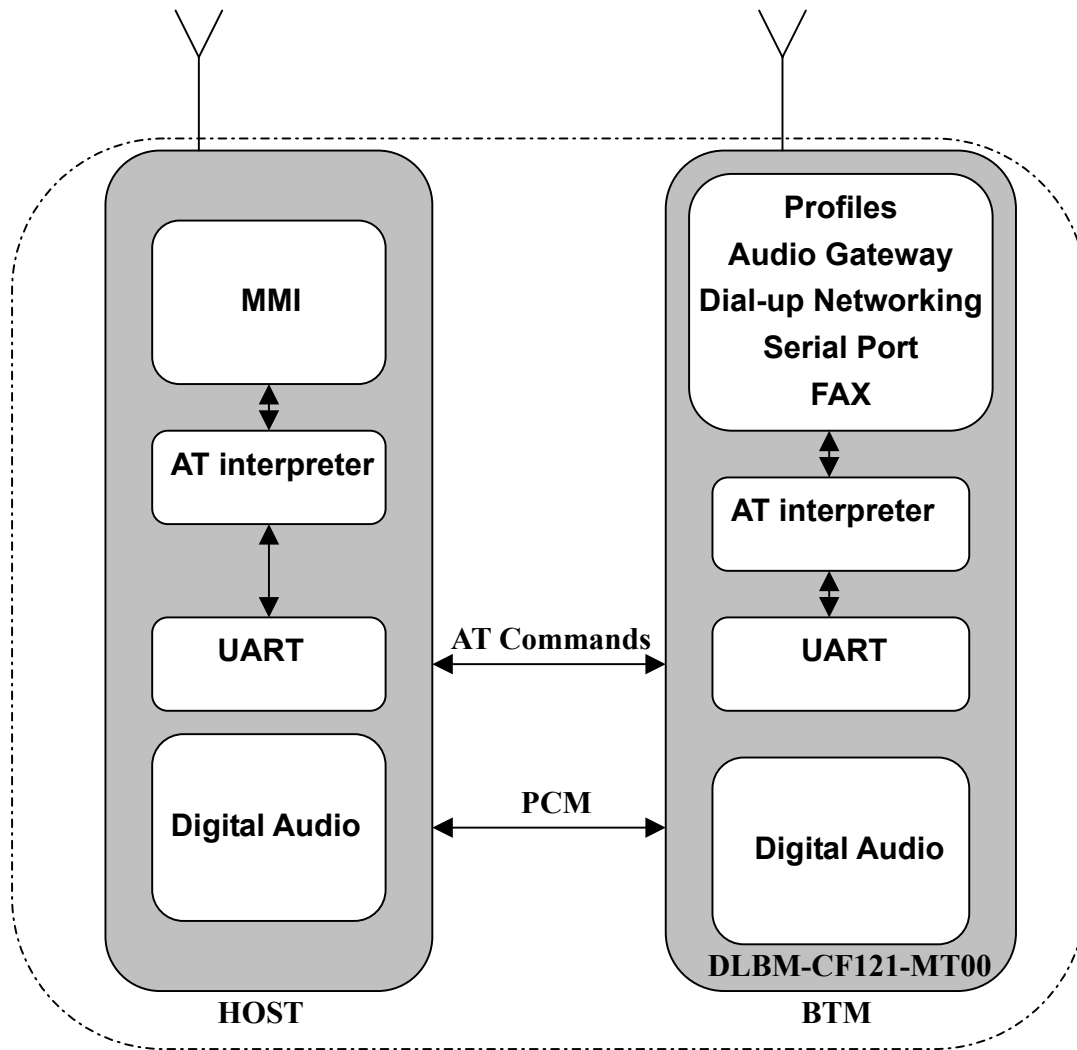


Figure 5. Embedded Architecture



DLBM-CF121-MT00

11. Hardware connection

DLBM-CF121-MT00 requires the following hardware connections:

- Serial communications port with or without hardware flow control.
- PCM interface for audio gateway profile.

12. Mobile Phone Host requirements

The DLBM-CF121-MT00 is designed to connect to the existing audio and data connections which or almost always made available on any mobile phone. This removes the need for any baseband software modifications on the part of the host controller since these connections already exist.

The mobile phone designer need simply design a Bluetooth Man-Machine interface in order to do the following functions:

- Bluetooth Neighborhood inquiry
- Select, enter PIN and pair with a remote device
- Show the status of a currently connected Bluetooth service.
- Limited control of the Bluetooth link i.e. SCO creation (automatic option also available), in-band / out-of band ring determination etc.

Since all the profiles are handles on DLBM-CF121-MT00 and a simple AT command set is utilized, there is minimal effort and time to market for the mobile phone company.

13. Software architecture

13.1 Initialization and start-up

When DLBM-CF121-MT00 is initially turned on, the DLBM-CF121-MT00 firmware will request configurations data from the host using the +CCFG command. The host will download the PSKEYS, Bluetooth address and friendly name at this point and when it has finished configuring the device, will initiate a warm reset via the BCCMD interface.

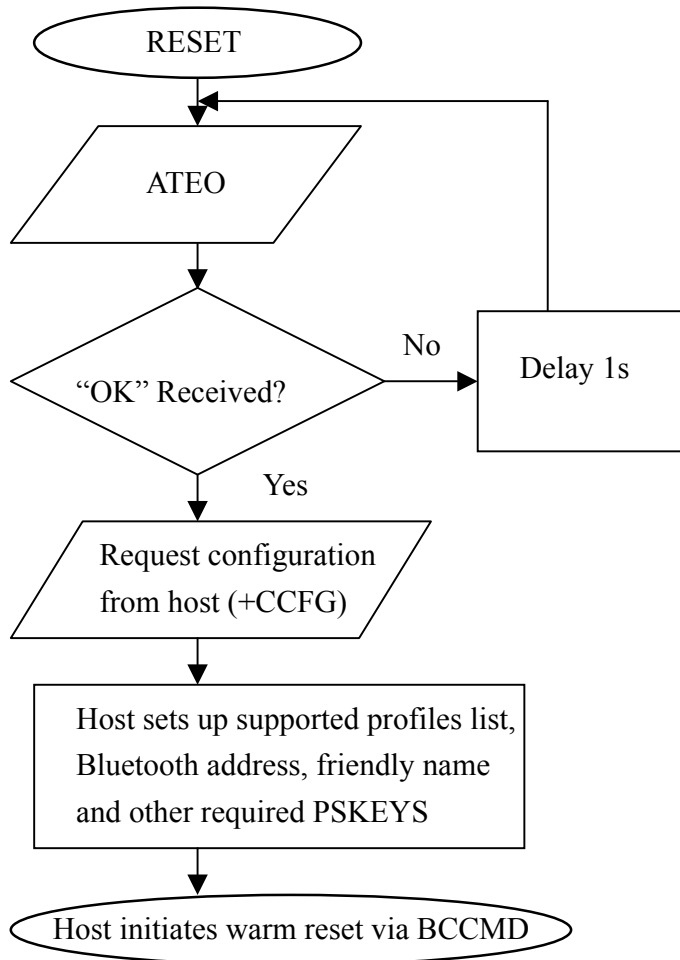


Figure 6. Software Architecture



13.2 Setting PSKeys

Setting the PSKEYS consist of three elements in the AT+SETPS command. These elements are:

- The Pskey address which is a four digit word formatted in ASCII that represents the address of the key to be set. Therefore, to change the contents of address 0x0108, this field will be set to "0108".
- The data string which is made up of multiples of four digit words. These word will be filled in the respective PSKey address's data field. E.g. "000112349876" will enter the word 0001 1234 9876 into the selected PSKEY.
- The store type. Typically this should be set to 8 to select the Ram are of PSKEYS.

An example of setting the PSKEYS is to set the crystal frequency trim :-

AT+SETPS=01f6,001d,0008.

To set a string value such as the friendly name, the host must prefix the data field with 's' i.e. AT+SETPS =0108,sHandphone,0008. This will change the friendly name to "Handphone"

To read a PSKEY, the host must use the AT+GETPS command e.g. AT+GETPS=01f6 will return the crystal frequency trim value.

To initiate a warm reset, the host must use the BCCMD protocol using the varid 0x4002 e.g. AT+BCCMD=4002,0002,0000.

One of the field that must be set is the supported profiles list or PSKey address 0x028d



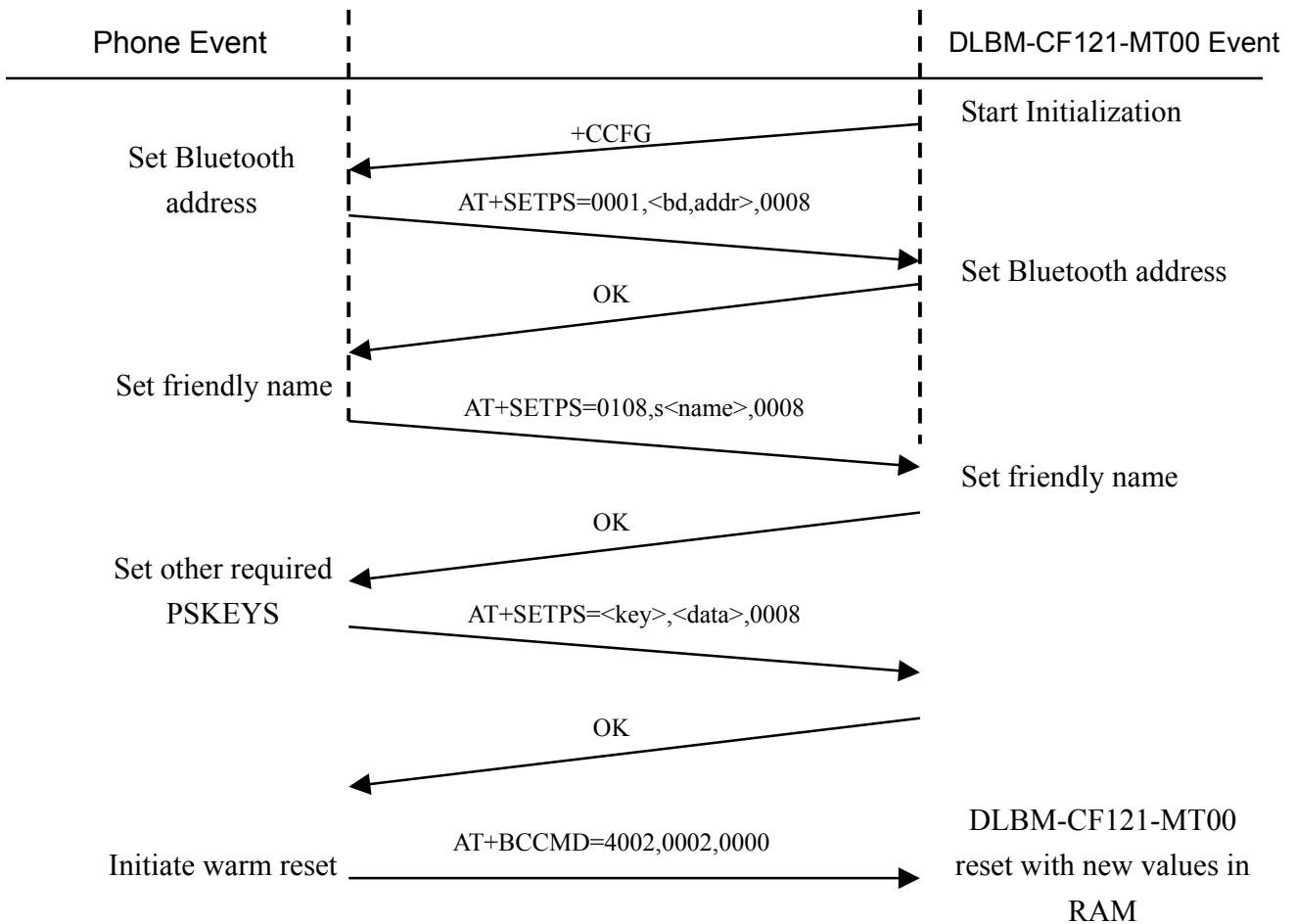
DLBM-CF121-MT00

13.3 Supported profiles list (0x028d)

During the configuration process, the host must set up the supported profile list in PSKEY_USR_3 as follows:

| Bit 7 | Bit 6 | Bit 5 | Bit 4 | Bit 3 | Bit 2 | Bit 1 | Bit 0 |
|----------|----------|----------|-------|-----------|-------|-------|---------|
| Reserved | Reserved | Reserved | Fax | Handsfree | DUN | SPP | Headset |

Setting the respective bit will cause this profile to be registered after the warm reset.

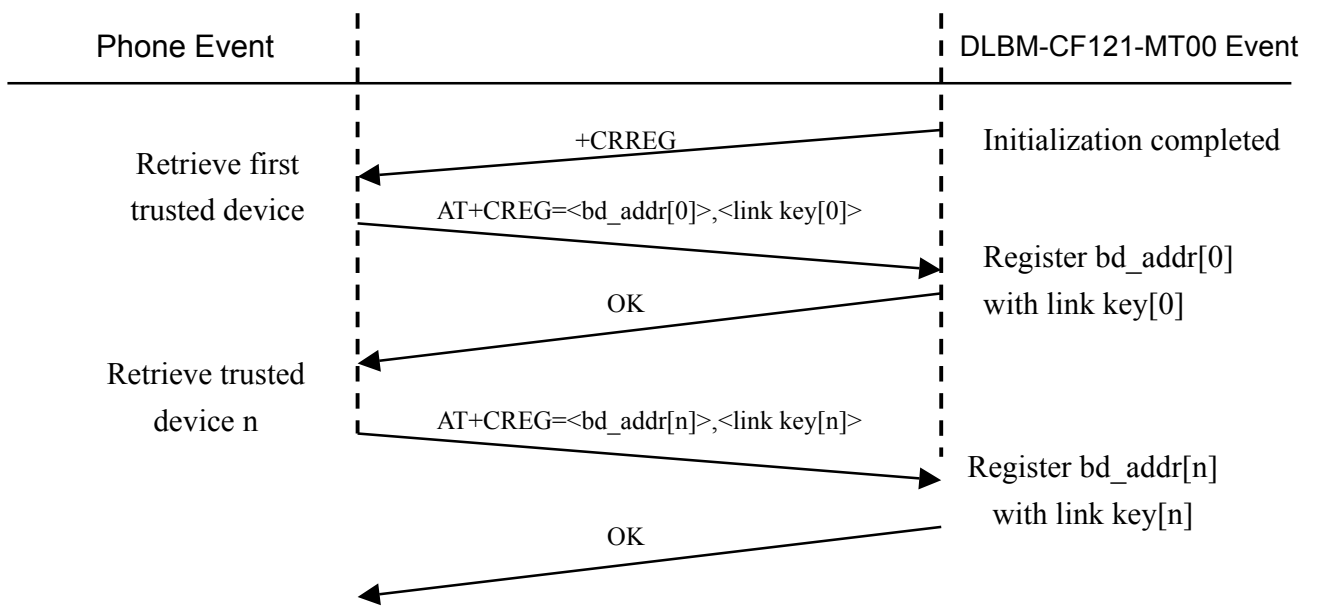




DLBM-CF121-MT00

13.4 Device Registration process

Once the configuration process has completed, and the warm reset has been initiated, the host must register the trusted devices with the firmware. The host can register devices at any time after the DLBM-CF121-MT00 as sent the +CRREG request command. Once the device registration command has been sent from the host, the host must wait for the OK response from the DLBM-CF121-MT00 before registering the next device.

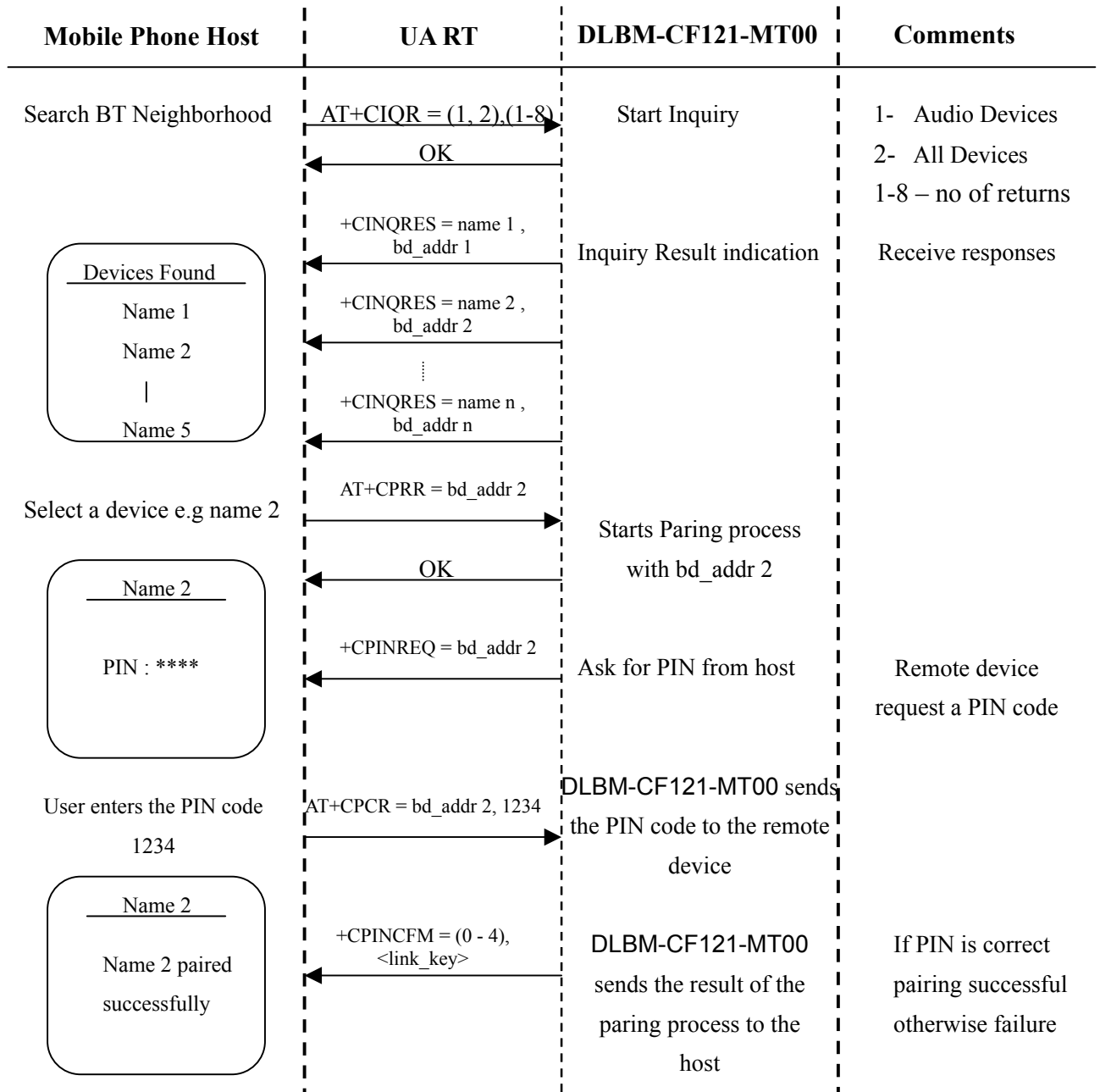




DLBM-CF121-MT00

13.5 Pairing Process

The sequence to pair the DLBM-CF121-MT00 with external remote devices is done as follows:





Preliminary

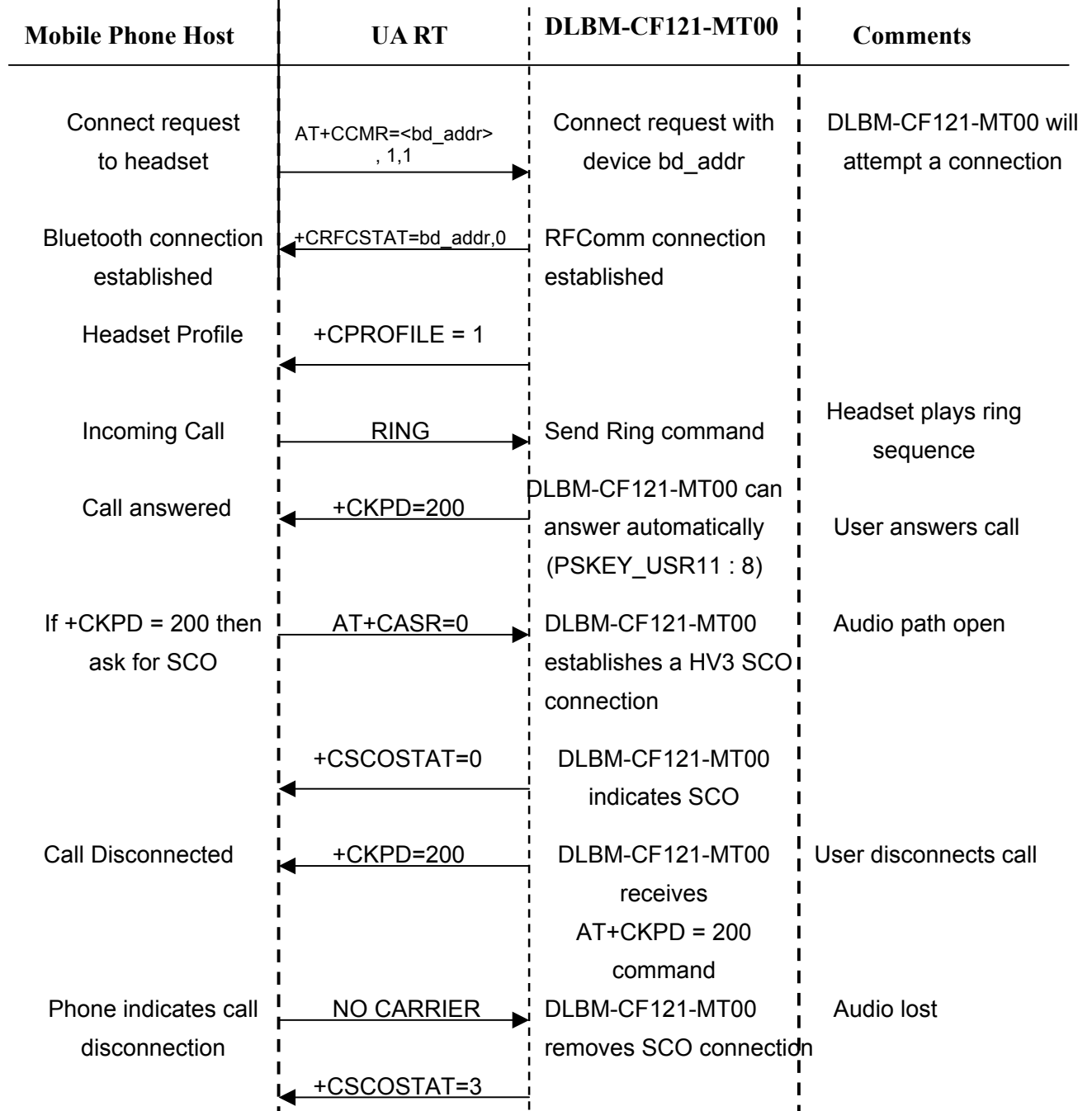
DLBM-CF121-MT00

A "+CINQCFM=<status>" message will be sent to the host indicating why an inquiry is finished. This may be due to inquiry cancellation (e.g. when the user selects a device in the middle of an inquiry), Inquiry complete when the inquiry timer has expired, or maximum number of responses has been received.



DLBM-CF121-MT00

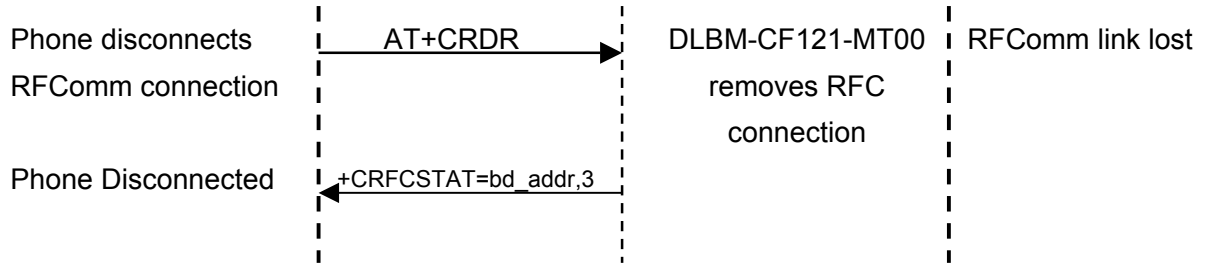
13.6 Incoming call is received (out-of-band ring used)





Preliminary

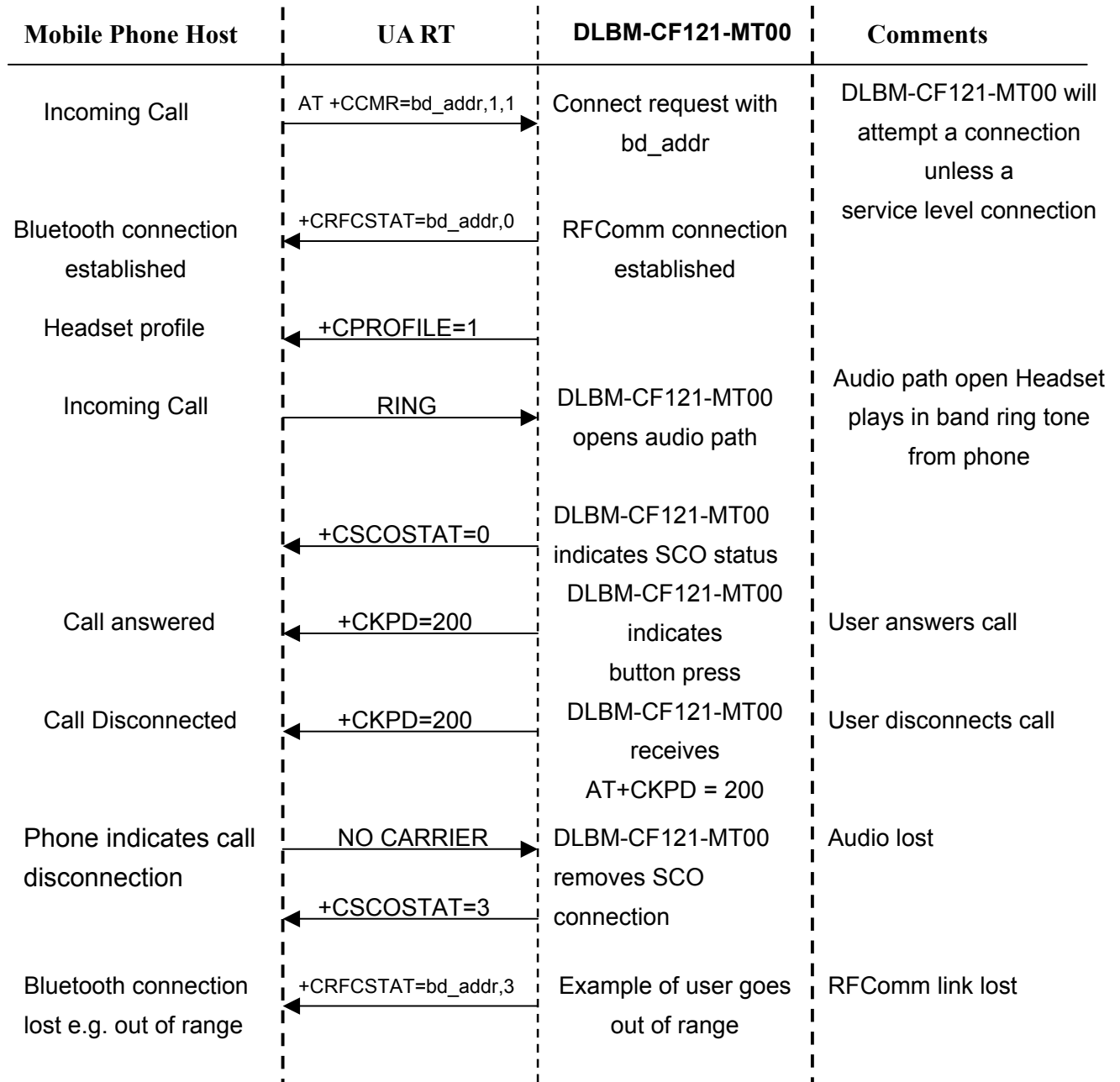
DLBM-CF121-MT00





DLBM-CF121-MT00

13.7 Incoming call is received (in-band ring used)





DLBM-CF121-MT00

13.8 Data services

The DLBM-CF121-MT00 supports the following data services

- Serial Port Profile (+CPROFILE = 2)
- Dial-up networking (+CPROFILE = 3)
- Handsfree Profile (+CPROFILE = 4)
- Fax (+CPROFILE = 5)

The default state of the firmware is to always be in idle. Therefore to put the device into connectable mode, the host must issue the AT+CCSR command.

On connection of a service from a remote devices, the firmware will indicate the status of the service level connection with +CRFCSTAT = <bd_addr>,0. Thereafter the service type will be indicated with +CPROFILE=<service>.

At this point, DLBM-CF121-MT00 will route all traffic passing over the RFCOMM layer directly to the UART and vice versa. Therefore, all "Fone Suite" applications will run over the serial port profile allowing the use of features such a sync, SMS, calendar etc over Bluetooth.

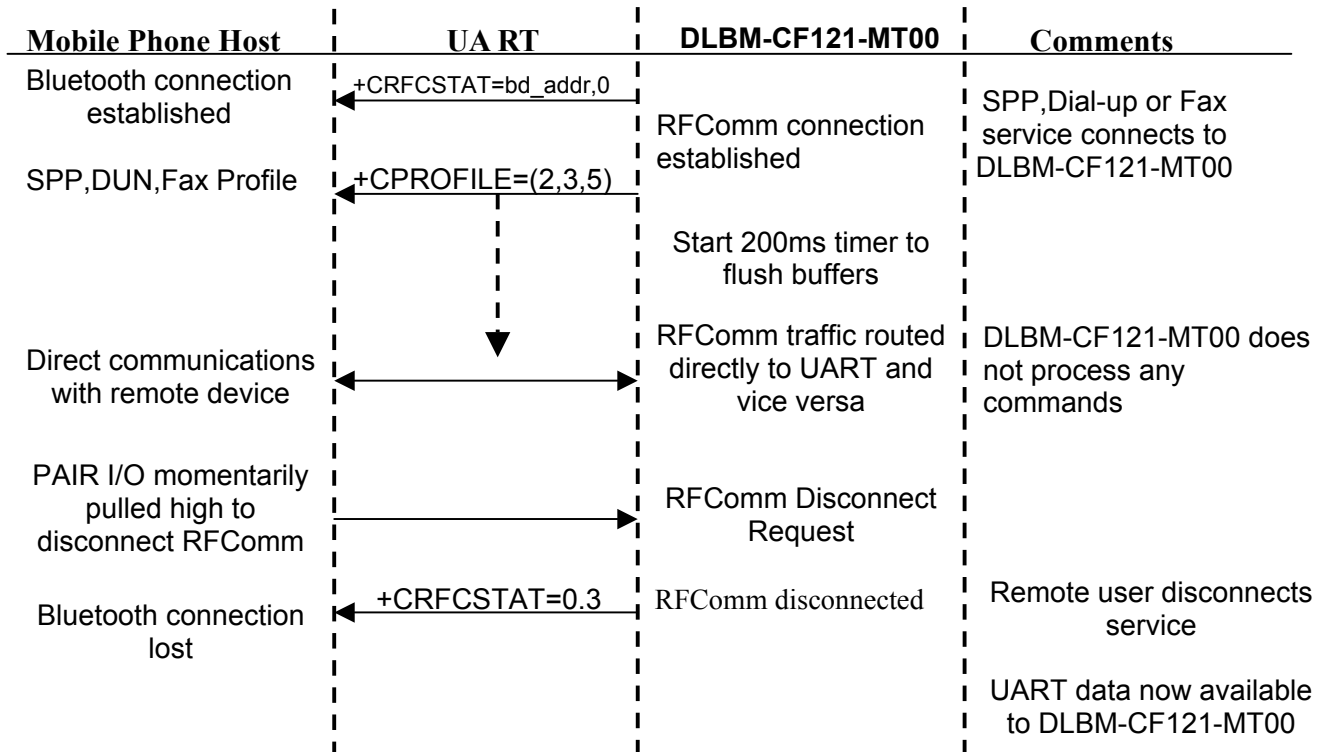
Dial-up networking and fax operations will also directly route the RFCOMM traffic over UART, therefore all modem settings for the mobile phone will be configured on the remote device configuration settings.

When a service is disconnected, DLBM-CF121-MT00 will indicate the removal of the service level connection with +CRFCSTAT=<bd_addr>,3.



DLBM-CF121-MT00

13.9 SPP, DUN and Fax connections



When the Dial-up Networking, SPP or FAX profiles are activated, DLBM-CF121-MT00 will initiate two actions:

- Change the mode state hardware output according to the setting is PSKEY_USR18. It will also issue the data stored in PSKEY_USR32 (SPP service connected), PSKEY_USR33 (DUN service connected) or PSKEY_USR35 (Fax service connected) which may be required by certain mobile phones to switch modes.
- Immediately create a direct link between the UART data and RFComm data. At this point, the DLBM-CF121-MT00 is not involved in any data between the two devices.



DLBM-CF121-MT00

On disconnection of the RFCOMM link, the mode state hardware output will change to the default mode and issue the data stored in PSKEY_USR30

To ensure that the mobile phone does indeed disconnect on the loss of an RFCOMM link, PSKEY_USR36 can be used to store the text string that will unconditionally disconnect the phone from the network (e.g. +++ATHr). An alternative method is to use the DATA_SEL I/O which will invert state for a period of 1s after the RFCOMM link has been lost. This can be used to simulate disconnection of a data service.

For the list of DUN and FAX commands, refer to DUN and FAX profile specification from the Bluetooth SIG.

13.10 Changing the default states of DLBM-CF121-MT00

It is possible to change the default states to the following:

- Make DLBM-CF121-MT00 idle. This is accomplished by sending the AT+CCNR command. This will cancel the last operation and switch off the BlueCore radio.
- Make DLBM-CF121-MT00 discoverable. This is accomplished by sending the AT+CDIS=<use authentication> command to BlueCore. This will set-up a page and inquiry scan process so that the device is discoverable and connectable to other Bluetooth devices. This has the disadvantage of increasing the power consumption of DLBM-CF121-MT00. If Use Authentication is set then the DLBM-CF121-MT00 will request a PIN on first connection to the remote device.
- Make DLBM-CF121-MT00 connectable. This is accomplished by sending the AT+CCSR=<use authentication> command to device. This will set-up a page scan process only so that the device is only connectable to other Bluetooth devices which know its address already. If Use Authentication is set then the firmware will request a PIN on first connection to the remote device.

Preliminary



DLBM-CF121-MT00

- You can restart the DLBM-CF121-MT00 software by sending a AT+CRST command. This causes the software to panic and then relies on the watchdog timer to reset the device.



DLBM-CF121-MT00

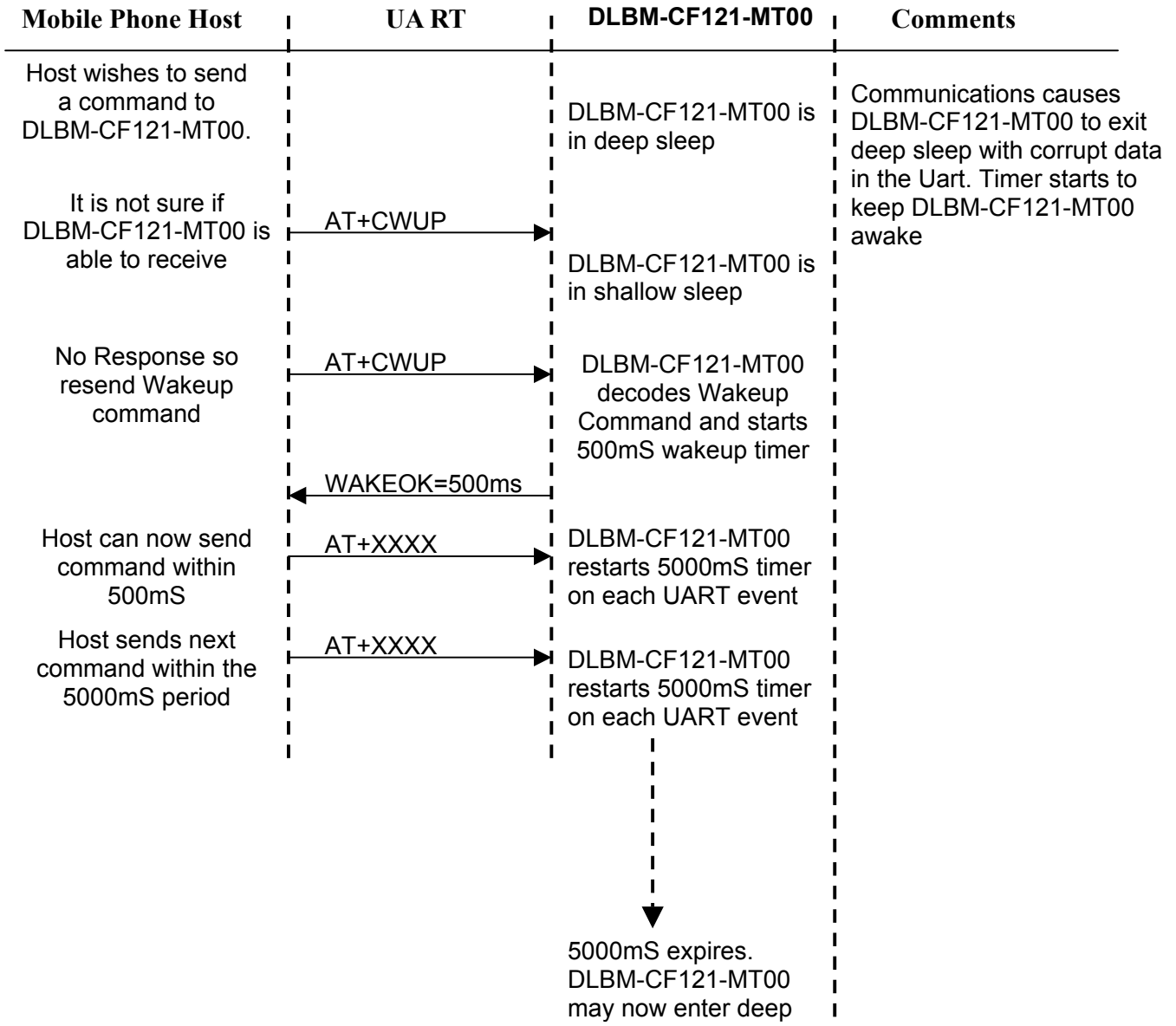
13.11 Using Low Power Modes with the AT command set

Since the standard UART protocol does not allow for the retry of transmission when information is lost over the UART, DLBM-CF121-MT00 uses a specific set of instructions to cause the device to exit out of deep sleep.

The software recognises the AT command "AT+CWUP" from the host and will respond with a "WAKEOK= <expected minimum wakeup time>". Therefore the host can issue the AT+CWUP command repetitively until it receives the WAKEOK command response. The parameter which is associated with the response, indicates the minimum time that the DLBM-CF121-MT00 will be awake and is sent in millisecond units. Therefore the host does not have to send AT+CWUP commands during this period. To reduce latencies, it is possible to re-transmit the second AT+CWUP command within 100ms of the first AT+CWUP command since there will be a high probability that DLBM-CF121-MT00 would now be awake. Thereafter it is suggested to wait at least 5000ms between subsequent AT+CWUP commands in order for DLBM-CF121-MT00 to respond.



DLBM-CF121-MT00





DLBM-CF121-MT00

13.12 Improving Execution Time

It is possible to improve the execution time for known events by setting flags in PSKEY_USR11 as follows:

| PSKEY_USR11 (Bit Position) | Function |
|----------------------------|---|
| 0-5 | Reserved |
| 6 | Automatically connect SCO on receipt of ATA from Handsfree device |
| 7 | Automatically disconnect SCO on receipt of AT+CHUP from Handsfree device |
| 8 | Automatically connect SCO on receipt of AT+BVRA=1 from Handsfree device |
| 9 | Automatically connect SCO on receipt of AT+CKPD=200 from Headset device |
| 10 | Automatically connect SCO on receipt of +CIEV:<call>,1 from host and Automatically disconnect SCO on receipt of +CIEV:<call>,0 from host |

13.13 Hands Free Operation

In order for hands free to work correctly there must be a serial link to the GSM phone supporting the GSM07.07 generic commands for hands free operation. These include the following:

- . ATA
- . AT+CHUP
- . ATDdd..dd;
- . ATD>nnn;
- . AT+CCWA
- . +CCWA
- . AT+CHLD
- . AT+CIND=?



DLBM-CF121-MT00

- . AT+CIND?
- . AT+CLIP
- . +CLIP
- . AT+CMER
- . +CIEV

The above commands are not interpreted by DLBM-CF121-MT00 and rely on the mobile phone to respond to these messages. All responses are passed directly to the hands free kit.

All other operation relating to service level connection and Bluetooth operation is handled by DLBM-CF121-MT00. In handset mode, some of these commands will be passed to the phone host for interpretation such as AT+BVRA = <n> for voice recognition activation and AT+NREC=<n> for noise cancellation request.

13.13.1 Bluetooth Hands Free Profile

The Bluetooth Hands Free profile is a mixture of analogue and data services. On connection of a Hands Free kit to the phone, the mode state will be Audio. Therefore a phone not supporting audio and data services simultaneously will not be able to support Bluetooth Hands free operation.

The majority of commands used by the Hands Free profile are based on the GSM07.07 AT command set. For all these commands, DLBM-CF121-MT00 firmware will simply act as a feed through for the commands and responses. Therefore, commands such as CMER, CIND, ATA, AT+CHUP, ATD etc are not issued by DLBM-CF121-MT00 but by the Hands Free kit.

It is still possible, however, to add more functionality to the Bluetooth hands free profile by emulating some of the Bluetooth commands into a mode that the phone supports, e.g. AT+BVRA=1 would initiate a voice tag dial in a Bluetooth phone.

In order to set up the supported features list to be sent with the SDP record, PSKEY_USR7 stores the Supported Features list in the same order as expected by the Hands Free Profile i.e.



DLBM-CF121-MT00

| PSKEY_USR7(Bit Position) | Function |
|--------------------------|--|
| 0 | Three way calling |
| 1 | Echo cancellation or noise reduction (Unlikely to be supported) |
| 2 | Voice Recognition Function (is enabled will cause DLBM-CF121-MT00 to initiate a long pulse sequence) |
| 3 | In-Band Ring Tone. (If enabled will force an Audio SCO Connection on incoming calls) |
| 4 | Attach phone number to tag (Not supported) |

13.14 Managing the Trusted Device List

Support has been included to manage the trusted device list. The commands associated with this process are as follows:

Registering trusted devices stored within the host. This is done after DLBM-CF121-MT00 requests registration of these devices using +CRREG command. The host can then register the devices at any time, keeping in mind that any device not registered, attempting to connect with the Handphone would require authentication.

Therefore, If a device is not a registered device, DLBM-CF121-MT00 will go through the process of requesting a PIN, and if successful, will respond with the +CLINK=<bd_addr>,<link key> response to inform the host of the new devices' link key and address. It would be up to the host to decide whether to add this device to it's trusted device list or not.

Once the device have been registered, they may be removed from DLBM-CF121-MT00 security manager by issuing the AT+CTDDEL = <bd_addr> command. This Bluetooth address will thereafter be deleted from the registry.

The management of the trusted device list is kept within the host, therefore the host may decide how many trusted devices to hold, and may change the name of the remote device name if so required.



DLBM-CF121-MT00

13.15 Initiating Connections

It is possible for the host to initiate a connection to a device as follows:

13.15.1 Devices found during inquiry

After completion of inquiry search, a list of devices will have been sent to the host using "+CINQRES=<name>,<Bluetooth address>". It is possible to connect directly to a device without pairing by issuing the command AT+CMMR=Bluetooth address,<authenticata>, <profile>.

If authenticate is set then DLBM-CF121-MT00 will expect a pin code to be issued during the connection process therefore to establish an un-secure connection, the authenticate field must be set to 0 for unauthenticated connections.

The service you wish to connect to will be put into <Profile> as follows:

- 1 – Headset Profile
- 2 – Serial Port Profile
- 3 – Dial-up Network Profile
- 4 – Hands free profile
- 5 – Fax Profile

Once connection to the remote device is established, the normal status commands will be issued by DLBM-CF121-MT00 to the host to indicate the status of the connection.

Please note that one cannot use the AT command set when the DLBM-CF121-MT00 is in data mode (i.e. DUN, SPP or FAX) since the UART and RFCOMM links are directly connected. If the link has to be disconnected by the DLBM-CF121-MT00, then the disconnect I/O must be used to disconnect the RFCOMM link.



DLBM-CF121-MT00

13.15.2 Connecting to devices in the trusted device list

Connecting to devices in the trusted device list follows the same procedure as above, but the source will come from the hosts trusted device list. AT+CMMR=<db_addr in trust device list>,<authenticate>,<profile>

13.16 Configuring PIO assignments

The PIO's for DLBM-CF121-MT00 can be dynamically configured via PSKEY_USR17 as follows:

| PIO[0] | PIO[1] | PIO[2] | PIO[3] | PIO[4] | PIO[5] | PIO[6] | PIO[7] | PIO[8] | PIO[9] | PIO[10] | PIO[11] |
|--------|--------|--------|--------|--------|--------|--------|--------|--------|--------|---------|---------|
| 0001 | 0002 | 0004 | 0008 | 0010 | 0020 | 0040 | 0080 | 0100 | 0200 | 0400 | 0800 |

PSKEY_USR17 consists of four words. Each word is assigned a function as follows:

| Word 1 (most significant word) | Word 2 | Word3 | Word 4 |
|--------------------------------|--------------------------|-------------------------------|------------------------------------|
| Audio service indicator output | Service disconnect input | Data service indicator output | Host communications wake up signal |



DLBM-CF121-MT00

13.17 Input / output indicators for service connections

There are two indicator outputs which are used to indicate when the service DLBM-CF121-MT00 is connected to. These indicators are as set up using PSKEY_USR_18 as follows:

| B7 | B6 | B5 | B4 | B3 | B2 | B1 | B0 |
|----|----|-----|------------|-----|-----|---------|-----------------------------------|
| *1 | X | Fax | Hands Free | DUN | SPP | Headset | Default when idle or in Page Scan |

Note *1)Word 1 – Pulse DATA_SEL line when RFComm lost during DUN, FAX and SPP
Word 2 – Use UART WAKEUP pulse

PSKEY_USR_18 consists of two words, The first word sets up the state of the AUDIO_SEL I/O when in accordance with the above table bit positions. The second word sets up the DATA_SEL I/O in accordance with the above table bit positions.

These I/O pins can be used to hardware select features or as indications into a host processor.

If Bit 7 is set then DATA_SEL line will pulse high then low for a period of at least 20ms and then return to the original state. This can be used to wake up a host if necessary.

For example PSKEY_USR18 = 0013 003c sets up I/O's as follows:

AUDIO_SEL State = 0x0013 :

| | |
|------------|------|
| Idle | High |
| Headset | High |
| SPP | Low |
| DUN | Low |
| Hands Free | High |
| Fax | Low |



Preliminary

DLBM-CF121-MT00

DATA_SEL state = 0x003c

| | |
|------------|------|
| Idle | Low |
| Headset | Low |
| SPP | High |
| DUN | High |
| Hands Free | High |
| Fax | High |

Setting bit 7 (0x80) of this word will generate a minimum 20ms pulse on the PWR_UP I/O. This can be used if the phone requires a wakeup before Uart communications.



DLBM-CF121-MT00

14 List of PSKEYS

| PSKEY | Function | Comments |
|-------|---|--|
| 3 | Supported profiles | Bit 0 – Headset profile Bit 1 – Serial port profile Bit 2 – Dial-up networking profile Bit 3 – Handsfree profile Bit 4 – Fax profile |
| 7 | Hands Free Supported Features | Described earlier |
| 9 | Time for host communication wakeup signal | In 1ms increments – Time for wake-up pulse to ensure host is ready to receive data |
| 11 | General Flags | Bit 0 – Default SCO Flag (0-HV3, 1 HV1) Bit 1 – phone uses in-band ringing for headset Bit 2 – Reserved Bit 3 – Reserved Bit 4 – Reserved Bit 5 – Use 1.28s page scan interval Bit 6 – Automatic SCO creation on ATA Bit 7 – Automatic SCO disconnection on AT+CHUP Bit 8 - Automatic SCO creation on AT+BVRA=1 Bit 9 - Automatic SCO creation on AT+CKPD=200 Bit 10 – Control SCO on call status events |
| 14 | Sniff mode parameters | Max interval, min interval, attempts, timeout |



DLBM-CF121-MT00

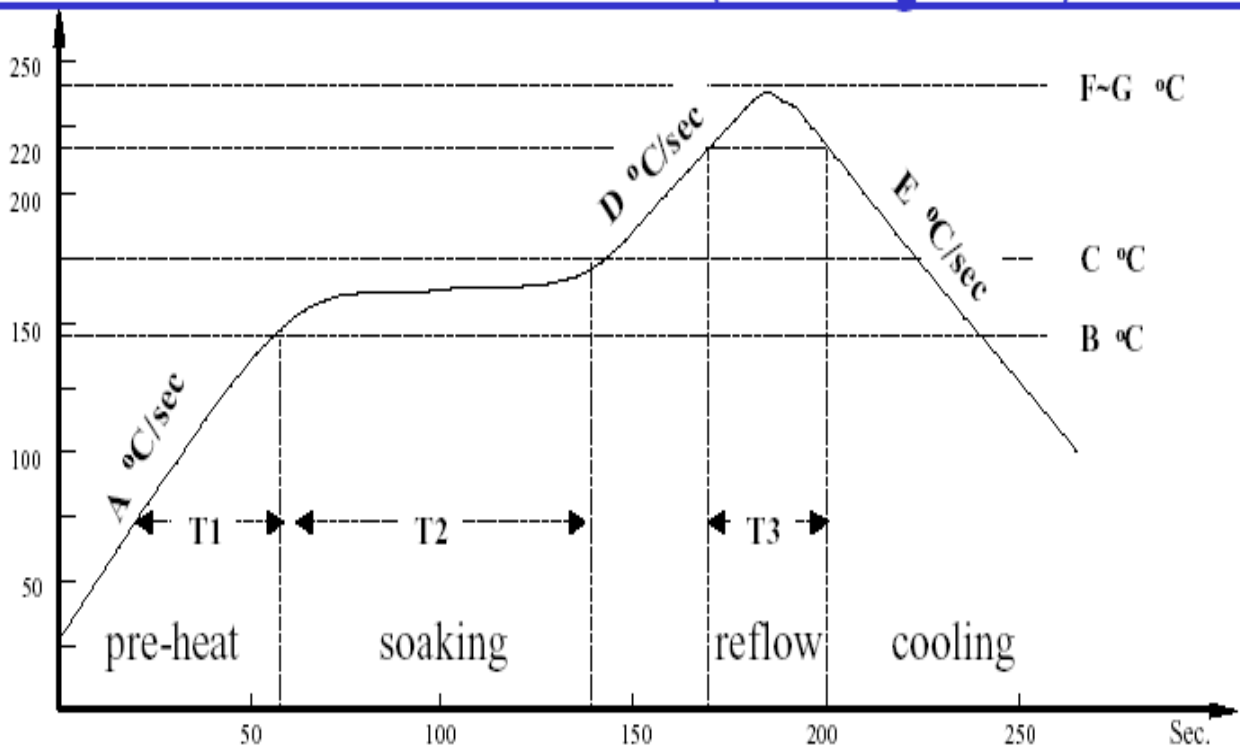
| | | |
|----|------------------------------------|---|
| 17 | PIO configuration settings | Word 1 – Audio service indicator output Word 2 – Disconnect service input Word 3 – Data service indicator output Word 4 – Host wakeup signal |
| 30 | Default AT String | Sent to phone when service disconnected |
| 31 | Headset Mode AT string | Sent to phone when connected to Headset service |
| 32 | SPP Mode AT string | Sent to phone when connected to SPP service |
| 33 | DUN Mode AT string | Sent to phone when connected to DUN service |
| 34 | Hands Free Mode AT string | Sent to phone when connected to Hands Free service |
| 35 | Fax Mode AT string | Sent to phone when connected to Fax service |
| 36 | Force Modem Disconnect AT string | Sent to the phone when a DUN service is disconnected |
| 37 | Alternative Call Answer string | Used if present, otherwise ATA is used |
| 38 | Alternative Call disconnect string | Used if present, otherwise AT+CHUP is used |
| 39 | Alternate Call Initiate string | Used to generate last number redial or voice tag via AT commands. |



DLBM-CF121-MT00

10. RECOMMENDED REFLOW PROFILE

Reflow Profile Used at The Evaluation (Sn-3.0Ag-0.5Cu) –PF606-P



| | |
|-----------------------------------|----------------|
| A: ramp up rate during preheat: | 1.5~3.0 °C/sec |
| B-C: soaking temperature: | 170± 15 °C |
| D: ramp up rate during reflow: | 1.2~2.3 °C/sec |
| E: ramp down rate during cooling: | 1.7~2.2 °C/sec |
| F-G: peak temperature: | 240± 10 °C |
| T1: preheat time: | 65± 15 sec |
| T2: dwell time during soaking: | 75± 15 sec |
| T3: time above 220 °C : | 30± 10 sec |

Figure4. REFLOW PROFILE



DLBM-CF121-MT00

11.Pin description

| Pin No. | Name | Description |
|---------|----------|-------------------------------|
| 1 | PIO_11 | Programmable I/O terminal |
| 2 | PIO_9 | Programmable I/O terminal |
| 3 | PCM_OUT | /Synchronous data output |
| 4 | PCM_SYNC | /Synchronous data sync |
| 5 | PCM_CLK | /Synchronous data clock |
| 6 | PCM_IN | /Synchronous data input |
| 7 | Gnd | Ground |
| 8 | Gnd | Ground |
| 9 | Gnd | Ground |
| 10 | ANT | RF input/output |
| 11 | AIO_0 | Programmable input/output |
| 12 | Gnd | Ground |
| 13 | Gnd | Ground |
| 14 | Gnd | Ground |
| 15 | Vdd_1.8V | Refer to Power supply diagram |
| 16 | VREG_IN | Refer to Power supply diagram |



DLBM-CF121-MT00

| | | |
|----|----------|--|
| 17 | VDD_IO | Refer to Power supply diagram |
| 18 | USB_DN | USB data minus |
| 19 | USB_DP | USB data plus with selectable internal 1.5k ohm pull-up resistor |
| 20 | UART_TX | UART data output active high |
| 21 | UART_RX | UART data input active high |
| 22 | UART_CTS | UART clear to send active low |
| 23 | UART_RTS | UART request to send active low |
| 24 | Reset_B | Reset if low |
| 25 | PIO_4 | Programmable input/output line |
| 26 | PIO_5 | Programmable input/output line |
| 27 | PIO_10 | Programmable input/output line |
| 28 | PIO_3 | Programmable input/output line |
| 29 | Gnd | Gnd |
| 30 | Gnd | Gnd |
| 31 | Gnd | Gnd |
| 32 | PIO_2 | Programmable input/output line |
| 33 | PIO_1 | Programmable input/output line |
| 34 | PIO_0 | Programmable input/output line |
| 34 | PIO_0 | Programmable input/output line |
| 35 | SPI_MOSI | Serial Peripheral Interface data input |

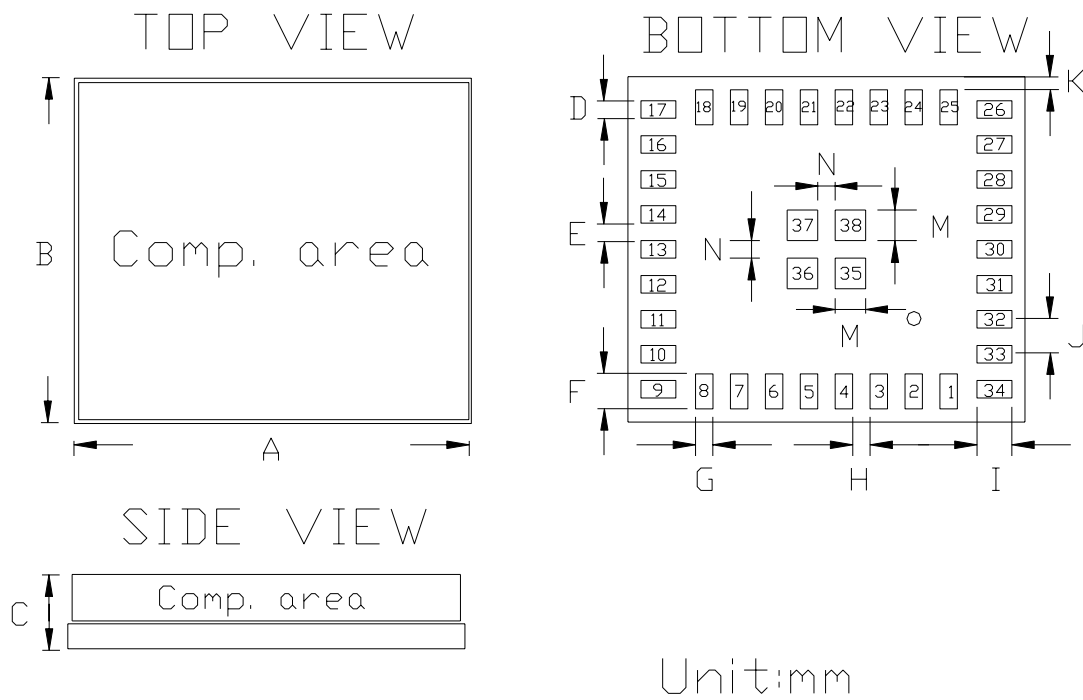
Preliminary



DLBM-CF121-MT00

| | | |
|-----------|----------|--|
| 36 | SPI_MISO | Serial Peripheral Interface data output |
| 37 | SPI_CLK | Serial Peripheral Interface clock |
| 38 | SPI_CSB | Chip select for Serial Peripheral Interface, active low |

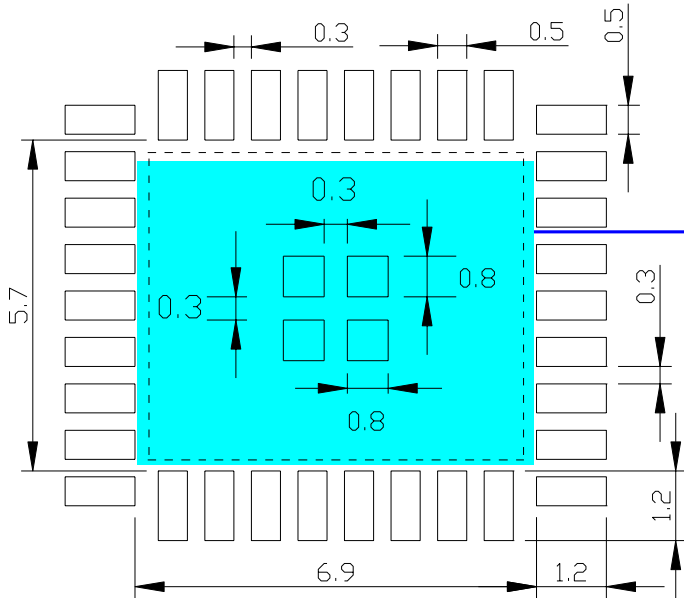
12.Dimensions (mm)



| | | | | | | | |
|---|---------------|---|---------------|---|---------------|---|---------------|
| A | 9.1 ± 0.2 | E | 0.4 ± 0.1 | I | 0.8 ± 0.1 | N | 0.4 ± 0.1 |
| B | 7.9 ± 0.2 | F | 0.8 ± 0.1 | J | 0.8 ± 0.1 | | |
| C | 1.6 ± 0.2 | G | 0.4 ± 0.1 | K | 0.3 ± 0.1 | | |
| D | 0.4 ± 0.1 | H | 0.4 ± 0.1 | M | 0.7 ± 0.1 | | |

Figure 5. Output pin dimensions

13. Layout Guide



Don't place the ground on the top layer (Inside area)

Unit: mm

Figure 6. Land Pattern

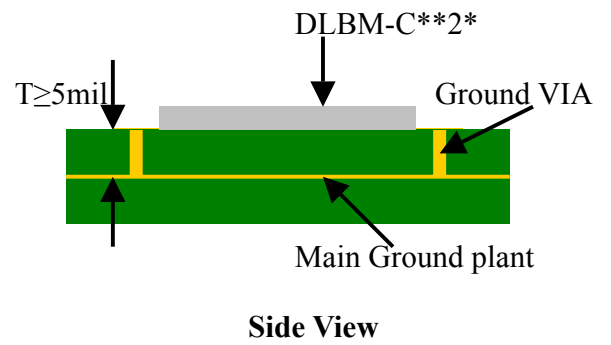
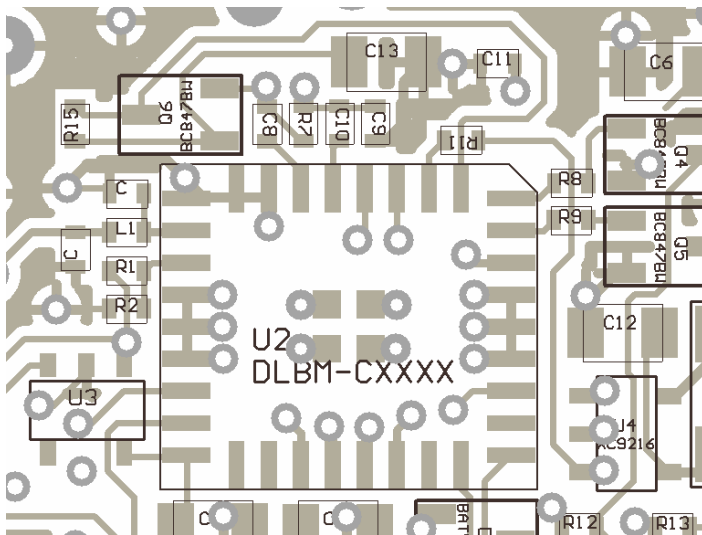


Figure 7. Layout Example



14. Record of changes

| Date | Content of change |
|----------------|-------------------------------------|
| Jan 21, 2005' | 1) Revise the PIO setting List |
| April 6, 2005' | Include SPI interface |
| May 6,2005' | Include Basic Embedded Architecture |

Contact information:

Website: <http://www.deltaww.com>

Email: Jonathan.Chen@delta.com.tw

Tel No.: 886-3-3591968#2925