

**PLEASE CHECK WWW.MOLEX.COM FOR LATEST PART INFORMATION**

**Part Number:** [0674921630](#)  
**Status:** **Active**  
**Overview:** serial ata 127 host receptacles  
**Description:** 1.27mm (.050") Pitch Serial ATA Host Receptacle, Right Angle, SMT, Mating Height 4.45mm (.175"), Gold (Au) Flash, with Cap, Embossed Tape on Reel Packaging, 22 Circuits, Lead Free

**Documents:**

[3D Model](#) [RoHS Certificate of Compliance \(PDF\)](#)  
[Drawing \(PDF\)](#)

**General**

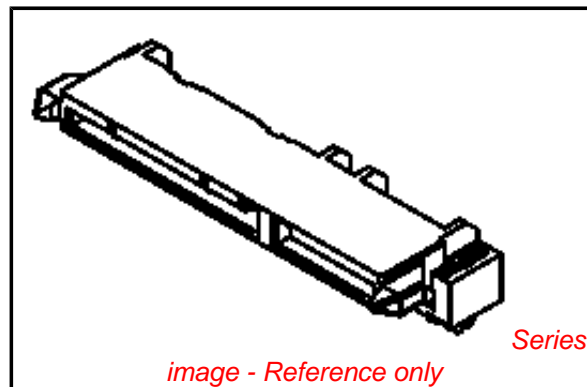
Product Family	PCB Receptacles
Series	<a href="#">67492</a>
Application	Board-to-Board
Comments	With Cap
Overview	<a href="#">serial ata 127 host receptacles</a>
Product Name	Serial ATA

**Physical**

Circuits (Loaded)	22
Circuits (maximum)	22
Color - Resin	Black
Durability (mating cycles max)	500
Glow-Wire Compliant	No
Guide to Mating Part	Yes
Keying to Mating Part	Yes
Lock to Mating Part	None
Material - Metal	Copper Alloy
Material - Plating Mating	Gold
Material - Plating Termination	Tin
Material - Resin	High Temperature Thermoplastic
Number of Rows	1
Orientation	Right Angle
PCB Locator	Yes
PCB Retention	Yes
PCB Thickness Recommended (in)	0.045 In
PCB Thickness Recommended (mm)	1.20 mm
Packaging Type	Embossed Tape on Reel
Pitch - Mating Interface (in)	0.050 In
Pitch - Mating Interface (mm)	1.27 mm
Pitch - Term. Interface (in)	0.050 In
Pitch - Term. Interface (mm)	1.27 mm
Plating min: Mating (µin)	2
Plating min: Mating (µm)	0.05
Plating min: Termination (µin)	50
Plating min: Termination (µm)	1.27
Polarized to Mating Part	Yes
Polarized to PCB	Yes
Robotic Placement	Pick and Place Cap
Stackable	No
Temperature Range - Operating	-35°C to +85°C
Termination Interface: Style	Surface Mount

**Electrical**

Current - Maximum per Contact	1.5A
-------------------------------	------



**EU RoHS**

**ELV and RoHS Compliant**  
**REACH SVHC**  
 Not Reviewed  
**Halogen-Free Status**

**China RoHS**



**Not Reviewed**

**Need more information on product environmental compliance?**

Email [productcompliance@molex.com](mailto:productcompliance@molex.com)  
 For a multiple part number RoHS Certificate of Compliance, [click here](#)

Please visit the [Contact Us](#) section for any non-product compliance questions.

**Search Parts in this Series**

[67492Series](#)

**Mates With**

[87703](#) , [87672](#) Serial ATA Plugs

Voltage - Maximum

15V DC

**Material Info**

**Reference - Drawing Numbers**

Packaging Specification

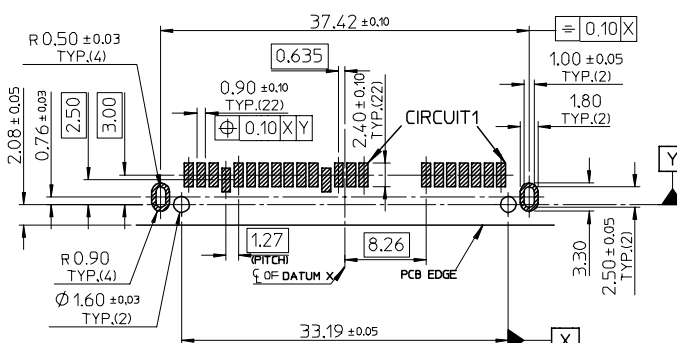
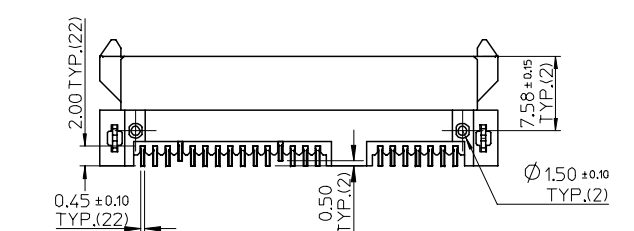
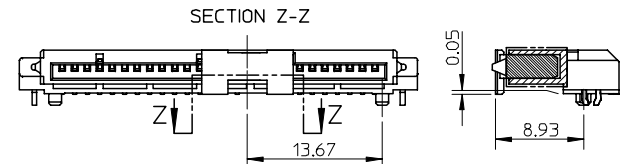
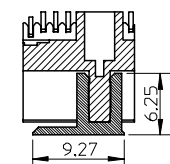
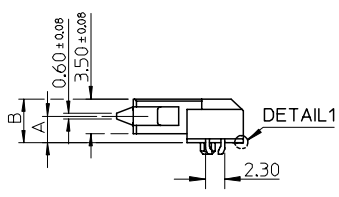
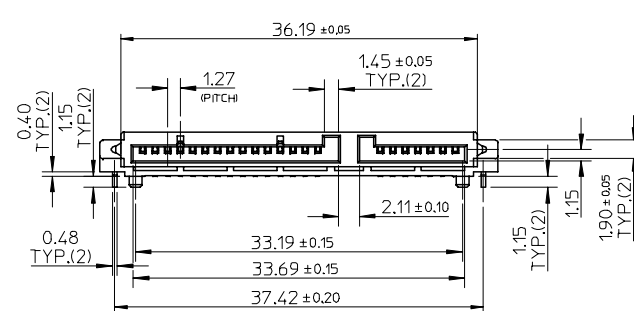
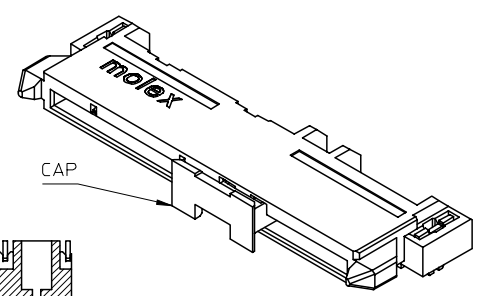
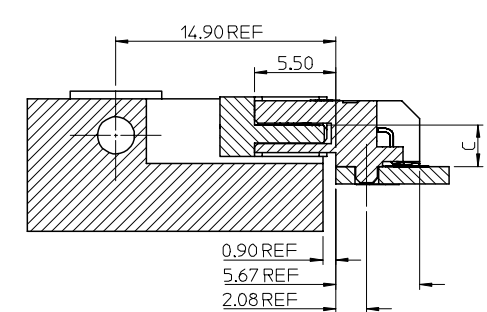
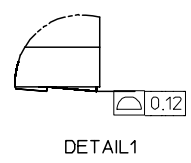
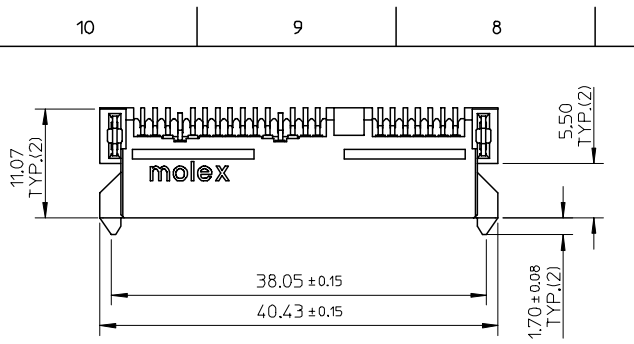
PK-67492-005

Sales Drawing

SD-67492-008

This document was generated on 05/31/2010

**PLEASE CHECK [WWW.MOLEX.COM](http://WWW.MOLEX.COM) FOR LATEST PART INFORMATION**



P/N	PLATING	DIM'A'	DIM'B'	DIM'C'	HUSING COLOR	REMARK
67492-1630	NOTES 2 (A)					
67492-1631	NOTES 2 (B)	2.70	4.45	2.80	BLACK	WITH CAP
67492-1632	NOTES 2 (C)					
67492-1730	NOTES 2 (A)					
67492-1731	NOTES 2 (B)	1.95	3.70	2.05	WHITE	WITHOUT CAP
67492-1732	NOTES 2 (C)					
67492-1620	NOTES 2 (A)					
67492-1621	NOTES 2 (B)	2.70	4.45	2.80	BLACK	WITHOUT CAP
67492-1622	NOTES 2 (C)					
67492-1720	NOTES 2 (A)					
67492-1721	NOTES 2 (B)	1.95	3.70	2.05	WHITE	WITHOUT CAP
67492-1722	NOTES 2 (C)					

NOTES:  
 1.MATERIAL:  
 HOUSING: HIGH TEMPERATURE THERMAL PLASTIC, UL94V-0, COLOR: REFER TO TABLE IN SHEET 2.  
 TERMINAL: COPPER ALLOY;  
 FORKLOCK: COPPER ALLOY.  
 2.TERMINAL PLATING :  
 CONTACT AREA:  
 (A) GOLD FLASH,  
 (B) GOLD, THICKNESS=0.76 MICRONS MINIMUM;  
 (C) GOLD, THICKNESS=0.38 MICRONS MINIMUM;  
 SOLDER AREA: TIN, THICKNESS=1.27 MICRONS MINIMUM;  
 UNDER PLATE: NICKEL, THICKNESS=1.27 MICRONS MINIMUM.  
 3.FORKLOCK PLATING:  
 SOLDER AREA: TIN, THICKNESS=1.27 MICRONS MINIMUM;  
 UNDER PLATE: NICKEL, THICKNESS=1.27 MICRONS MINIMUM.  
 4.PRODUCT SPECIFICATION: REFER TO PS-67492-001.  
 5.PACKAGING METHOD: TAPE REEL, 67492-163\* REFER TO PK-67492-005, 67492-173\* REFER TO PK-67492-006.  
 6.MATING PARTS: 87703/87672.

RTM	EC NO:	2006/02/08	QUALITY SYMBOLS ▽=0 ◇=0	GENERAL TOLERANCES (UNLESS SPECIFIED)		DIMENSION STYLE MM ONLY		SCALE 2:1	DESIGN UNITS METRIC	THIRD ANGLE PROJECTION		
	DRWN:GLLI	2006/02/28		4 PLACES ± --- ± ---	mm	INCH	DRAWN BY DIXON LI	DATE 2005/12/22	TITLE SATA HOST RECEPTACLE R/A SMT TYPE -LEAD FREE-			
	CHKD:	2006/03/01		3 PLACES ± --- ± ---			CHECKED BY JANNY ZENG	DATE 2005/12/22	MOLEX INCORPORATED			
	APPR:GRMA			2 PLACES ± 0.15 ± ---			APPROVED BY GRATE MA	DATE 2005/12/22	MATERIAL NO.		DOCUMENT NO. SD-67492-008	SHEET NO. 1 OF 1
REV		1 PLACE ± 0.25 ± ---	DRAFT WHERE APPLICABLE MUST REMAIN WITHIN DIMENSIONS		ANGULAR ± 3 °		SIZE A3		THIS DRAWING CONTAINS INFORMATION THAT IS PROPRIETARY TO MOLEX INCORPORATED AND SHOULD NOT BE USED WITHOUT WRITTEN PERMISSION			