

**PLEASE CHECK WWW.MOLEX.COM FOR LATEST PART INFORMATION**

**Part Number:** [0643241149](#)  
**Status:** **Active**  
**Overview:** [cmc connectors](#)  
**Description:** 2.80mm (.110"), CMC CP Female Terminal, Tin plated, Selective 1.27µm Gold in Contact Area, for Tab Dimensions 2.8mm x 0.8mm , Wire Size 0.50mm<sup>2</sup> to 1mm<sup>2</sup>

**Documents:**

[3D Model](#) [RoHS Certificate of Compliance \(PDF\)](#)  
[Drawing \(PDF\)](#)

**General**

Product Family	Crimp Terminals
Series	<a href="#">64324</a>
Comments	* Current tested on a fully loaded connector, current for temperature increase of 40°C. Curent max = 21.0A for 2.8mm Terminal (5.0mm <sup>2</sup> wire)
Crimp Quality Equipment	Yes
Overview	<a href="#">cmc connectors</a>
Product Name	CP Terminal

**Physical**

Durability (mating cycles max)	20
Gender	Female
Material - Metal	High Copper
Material - Plating Mating	Gold
Material - Plating Termination	Gold
Packaging Type	Reel
Plating min: Mating (µin)	50.8
Plating min: Mating (µm)	1.27
Termination Interface: Style	Crimp or Compression
Wire Insulation Diameter	1.40mm-2.15mm
Wire Size AWG	N/A
Wire Size mm <sup>2</sup>	0.5 - 1.0

**Electrical**

Current - Maximum per Contact	21A
Voltage - Maximum	250V AC

**Material Info**

**Reference - Drawing Numbers**

Packaging Specification	PK-98910-001
Sales Drawing	SD-64324-001



**EU RoHS**

**ELV and RoHS Compliant**  
**REACH SVHC**  
 Not Reviewed  
**Halogen-Free Status**  
 Not Reviewed

**China RoHS**



**Need more information on product environmental compliance?**

Email [productcompliance@molex.com](mailto:productcompliance@molex.com)  
 For a multiple part number RoHS Certificate of Compliance, [click here](#)

Please visit the [Contact Us](#) section for any non-product compliance questions.

**Search Parts in this Series**

[64324Series](#)

**Mates With**

CMC Connector [64318](#) , [64321](#). CMC Wire Seal [64325](#)

**Use With**

CMC Connector [64318](#) , [64321](#). CMC Wire Seal [64325](#)

**Application Tooling | FAQ**

*Tooling specifications and manuals are found by selecting the products below. Crimp Height Specifications are then contained in the Application Tooling Specification document.*

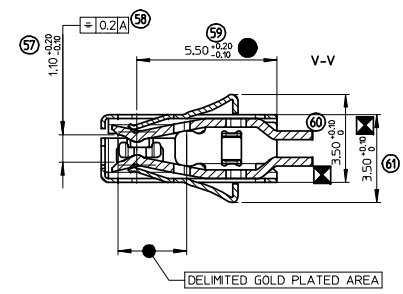
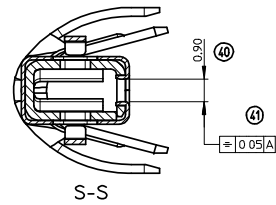
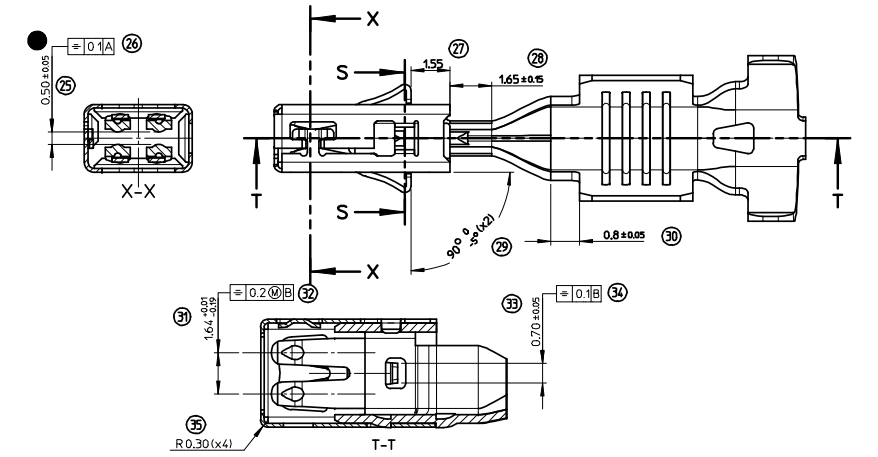
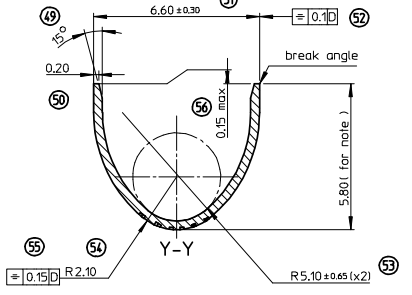
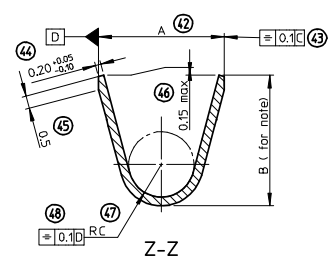
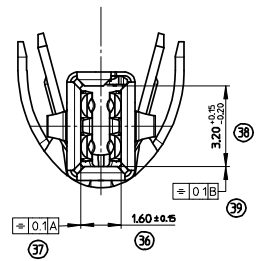
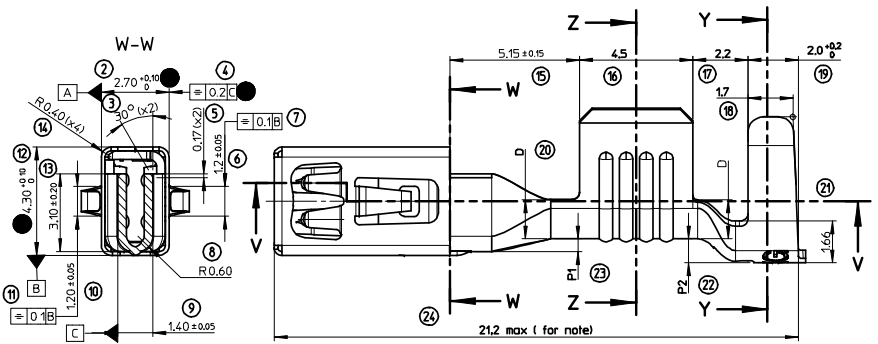
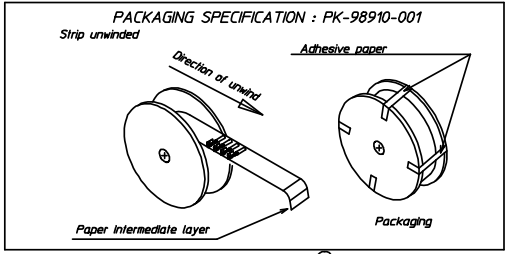
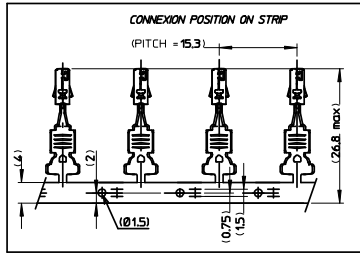
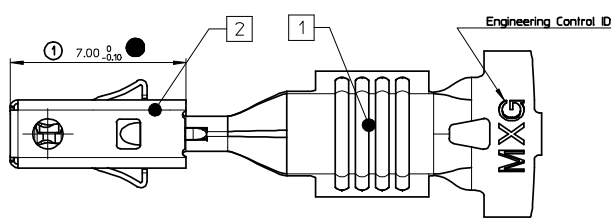
**Global**

Description	Product #
Hand Crimp Tool for	<a href="#">0638193400</a>
CP 2.8 Receptacle	
18-20 AWG Type	
TXL Wire and	
0.50-0.75mm <sup>2</sup> Type	

ID & ID Wire with 2.80mm (.110"), CMC Wire Seal Receptacle Hand Crimp Tool for	<u>0638193500</u>
CP 2.8 Receptacle 1.00mm Type ID & ID Wire with 2.80mm2 (.110"), CMC Wire Seal Receptacle Mini-Mac™	<u>0638951200</u>
Applicator for CP2.8 Terminals, 0.50-1.00mm ID & IR Wire Extraction Tool	<u>0638132500</u>

This document was generated on 05/19/2010

**PLEASE CHECK [WWW.MOLEX.COM](http://WWW.MOLEX.COM) FOR LATEST PART INFORMATION**

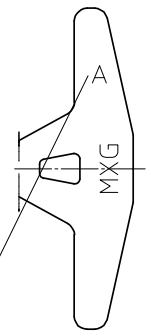


NOTE:  
- CRIMPING SPECIFICATION ACCORDING TO CS-64324-001

2	BOX TERMINAL	STAINLESS STEEL thickness : 0.15 mm
1	BODY TERMINAL	HIGH CONDUCTIVITY COPPER ALLOY thickness : 0.35 mm
MARK	DESIGNATION	MATERIAL

MATERIAL NUMBER	CONTACT AREA	CRIMPING AREA PLATING	UNDERLAYER	CRIMPING RANGE (mm <sup>2</sup> )	A ±0.2	B	rC ±0.1	D ±0.1	P1 ±0.1	P2 ±0.0	WEIGHT (g)	Identification
0643241119	Au 1.27μ MINI	Sn	Ni	>3 TO 5	5.0	5.2	1.3	1.55	0.5	0.95	0.4902	D
0643241019	Sn	Sn	Ni	>2 TO 3	4.1	4.4	1.0	1.45	0.5	0.95	0.4795	C
0643241029	Sn	Sn	Ni	>1 TO 2	4.1	3.5	0.9	1.3	0.85 <sup>+0.1</sup> <sub>-0.2</sub>	1.3 <sup>+0.1</sup> <sub>-0.2</sub>	0.4274	B
0643241039	Sn	Sn	Ni	0.50 TO 1	2.8	2.6	0.7	1.1	0.85 <sup>+0.1</sup> <sub>-0.2</sub>	1.3	0.3916	A
0643241149	Au 1.27μ MINI	Sn	Ni								0.3815	
0643241049	Sn	Sn	Ni									

crimp range identification



(SKC)	COTES CARACTERISTIQUES SPECIALES
(SKC)	SPECIAL KEY CHARACTERISTICS
(SKC)	INDICATION DIMENSIONS S.P.C
(SKC)	INDICATES S.P.C DIMENSIONS
(SKC)	INDICATION DIMENSIONS CRITIQUES
(SKC)	DENOTES CRITICAL DIMENSIONS
(SKC)	INDICATION DIMENSIONS FONCTIONNELLES
(SKC)	DENOTES FUNCTIONAL DIMENSIONS
QUANTITE PAR FEUILLE INDIVIDUELLE	
QUANTITY PER INDIVIDUAL SHEET	
(SKC)	2
(SKC)	0
(SKC)	6
(SKC)	0

Revised Dwg EC NO: 62008-0440 DRWNE: JULOU CHKD: FPAROLARI APPR: LSTICKEIR 2008/05/19 2008/05/19 2008/05/19	GENERAL TOLERANCES (UNLESS SPECIFIED)	DIMENSION STYLE MM ONLY	SCALE 10:1	DESIGN UNITS METRIC	FIRST ANGLE PROJECTION
	4 PLACES ± --- ± --- 3 PLACES ± --- ± --- 2 PLACES ± 0.10 ± --- 1 PLACE ± 0.1 ± ---	mm INCH	DRAWN BY VQUERIN	DATE 2007/11/07	TITLE CP RCPT TRM 2.8
ANGULAR ± 2°		CHECKED BY FPAROLARI	DATE 2007/11/07		
DRAFT WHERE APPLICABLE MUST REMAIN WITHIN DIMENSIONS		APPROVED BY LSTICKEIR	DATE 2007/11/07		
		MATERIAL NO.		MOLEX INCORPORATED	
				SD-64324-001	
				DOCUMENT NO.	SHEET NO.
					1 OF 1