



STB80NF55-06 - STB80NF55-06-1 STP80NF55-06 - STP80NF55-06FP

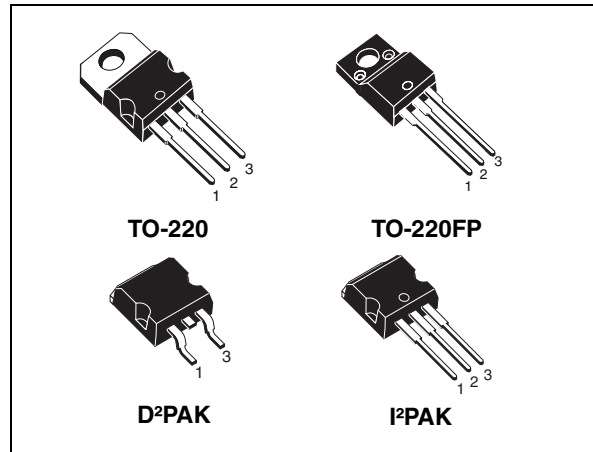
N-channel 55V - 0.005Ω - 80A - TO-220 /FP - I²PAK - D²PAK
STripFET™ II Power MOSFET

General features

| Type | V _{DSS} | R _{DS(on)} | I _D |
|----------------|------------------|---------------------|--------------------|
| STB80NF55-06 | 55V | <0.0065Ω | 80A ⁽¹⁾ |
| STB80NF55-06-1 | 55V | <0.0065Ω | 80A ⁽¹⁾ |
| STP80NF55-06 | 55V | <0.0065Ω | 80A ⁽¹⁾ |
| STP80NF55-06FP | 55V | <0.0065Ω | 60A ⁽¹⁾ |

1. Limited by package

- Exceptional dv/dt capability
- 100% avalanche tested
- Application oriented characterization



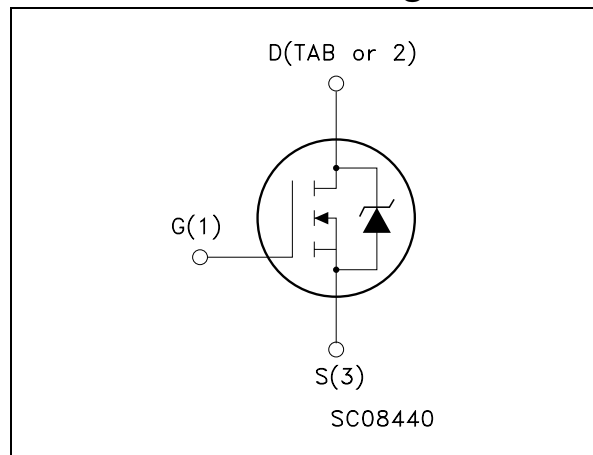
Description

This Power MOSFET is the latest development of STMicroelectronics unique "Single Feature Size™" strip-based process. The resulting transistor shows extremely high packing density for low on-resistance, rugged avalanche characteristics and less critical alignment steps therefore a remarkable manufacturing reproducibility.

Applications

- Switching application

Internal schematic diagram



Order codes

| Part number | Marking | Package | Packaging |
|----------------|--------------|--------------------|-------------|
| STB80NF55-06T4 | B80NF55-06 | D ² PAK | Tape & reel |
| STB80NF55-06-1 | B80NF55-06-1 | I ² PAK | Tube |
| STP80NF55-06 | P80NF55-06 | TO-220 | Tube |
| STP80NF55-06FP | P80NF55-06FP | TO-220FP | Tube |

Contents

| | | |
|----------|---|-----------|
| 1 | Electrical ratings | 3 |
| 2 | Electrical characteristics | 4 |
| 2.1 | Electrical characteristics (curves) | 6 |
| 3 | Test circuit | 9 |
| 4 | Package mechanical data | 10 |
| 5 | Packaging mechanical data | 15 |
| 6 | Revision history | 16 |

1 Electrical ratings

Table 1. Absolute maximum ratings

| Symbol | Parameter | Value | | Unit |
|------------------------------------|---|--|--------------------|------|
| | | TO-220 / D ² / I ² PAK | TO-220FP | |
| V _{DS} | Drain-source voltage (V _{GS} = 0) | 55 | | V |
| V _{GS} | Gate-source voltage | ± 20 | | V |
| I _D ⁽¹⁾ | Drain current (continuous) at T _C = 25°C | 80 | 60 ⁽²⁾ | A |
| I _D ⁽¹⁾ | Drain current (continuous) at T _C =100°C | 80 | 42 ⁽²⁾ | A |
| I _{DM} ⁽³⁾ | Drain current (pulsed) | 320 | 240 ⁽²⁾ | A |
| P _{TOT} | Total dissipation at T _C = 25°C | 300 | 45 | W |
| | Derating factor | 2 | 0.30 | W/°C |
| dv/dt ⁽⁴⁾ | Peak diode recovery voltage slope | 7 | | V/ns |
| E _{AS} ⁽⁵⁾ | Single pulse avalanche energy | 1.3 | | J |
| V _{ISO} | Insulation withstand voltage (DC) | -- | 2500 | V |
| T _J T _{stg} | Operating junction temperature Storage temperature | -55 to 175 | | °C |

- Limited by Package
- Limited only by maximum temperature allowed
- Pulse width limited by safe operating area
-) I_{SD} ≤ 80A, di/dt ≤ 400A/μs, V_{DD} ≤ V_{(BR)DSS}, T_J ≤ T_{JMAX}
- Starting T_J = 25 °C, I_D = 40A, V_{DD} = 45V

Table 2. Thermal data

| Symbol | Parameter | Value | | Unit |
|-------------------|--|--|----------|------|
| | | TO-220 / D ² / I ² PAK | TO-220FP | |
| R _{thJC} | Thermal resistance junction-case max | 0.5 | 3.33 | °C/W |
| R _{thJA} | Thermal resistance junction-ambient max | 62.5 | | °C/W |
| T _l | Maximum lead temperature for soldering purpose | 300 | | °C |

2 Electrical characteristics

(T_{CASE}=25°C unless otherwise specified)

Table 3. On/off states

| Symbol | Parameter | Test conditions | Min. | Typ. | Max. | Unit |
|----------------------|---|---|------|-------|---------|----------|
| V _{(BR)DSS} | Drain-source breakdown voltage | I _D = 250µA, V _{GS} = 0 | 55 | | | V |
| I _{DSS} | Zero gate voltage drain current (V _{GS} = 0) | V _{DS} = Max rating, V _{DS} = Max rating @ 125°C | | | 1 10 | µA µA |
| I _{GSS} | Gate body leakage current (V _{DS} = 0) | V _{GS} = ±20V | | | ±100 | nA |
| V _{GS(th)} | Gate threshold voltage | V _{DS} = V _{GS} , I _D = 250µA | 2 | 3 | 4 | V |
| R _{DS(on)} | Static drain-source on resistance | V _{GS} = 10V, I _D = 40A | | 0.005 | 0.0065 | Ω |

Table 4. Dynamic

| Symbol | Parameter | Test conditions | Min. | Typ. | Max. | Unit |
|--|---|--|------|---------------------|------|----------------|
| g _{fs} ⁽¹⁾ | Forward transconductance | V _{DS} = 15V, I _D = 40A | | 150 | | S |
| C _{iss} C _{oss} C _{rss} | Input capacitance Output capacitance Reverse transfer capacitance | V _{DS} = 25V, f = 1 MHz, V _{GS} = 0 | | 4400 1020 350 | | pF pF pF |
| Q _g Q _{gs} Q _{gd} | Total gate charge Gate-source charge Gate-drain charge | V _{DD} = 44V, I _D = 80A V _{GS} = 10V | | 142 29 60.5 | 189 | nC nC nC |

1. Pulsed: pulse duration=300µs, duty cycle 1.5%

Table 5. Switching times

| Symbol | Parameter | Test conditions | Min. | Typ. | Max. | Unit |
|---------------------|---------------------|---|------|------|------|------|
| t _{d(on)} | Turn-on delay time | V _{DD} = 50 V, I _D = 40A, R _G = 4.7Ω, V _{GS} = 10V (see Figure 15) | | 27 | | ns |
| t _r | Rise time | | | 155 | | ns |
| t _{d(off)} | Turn-off delay time | | | 125 | | ns |
| t _f | Fall time | | | 65 | | ns |

Table 6. Source drain diode

| Symbol | Parameter | Test conditions | Min | Typ. | Max | Unit |
|-----------------|-------------------------------|---|-----|------|-----|---------|
| I_{SD} | Source-drain current | | | | 80 | A |
| $I_{SDM}^{(1)}$ | Source-drain current (pulsed) | | | | 320 | A |
| $V_{SD}^{(2)}$ | Forward on voltage | $I_{SD}=80A, V_{GS}=0$ | | | 1.5 | V |
| t_{rr} | Reverse recovery time | $I_{SD}=80A,$ $di/dt = 100A/\mu s,$ $V_{DD}=35V, T_J = 150^\circ C$ | | 100 | | ns |
| Q_{rr} | Reverse recovery charge | | | 0.32 | | μC |
| I_{RRM} | Reverse recovery current | | | 6.5 | | A |

1. Pulse width limited by safe operating area
2. Pulsed: pulse duration=300 μs , duty cycle 1.5%

2.1 Electrical characteristics (curves)

Figure 1. Safe operating area for TO-220/
D²PAK/ I²PAK

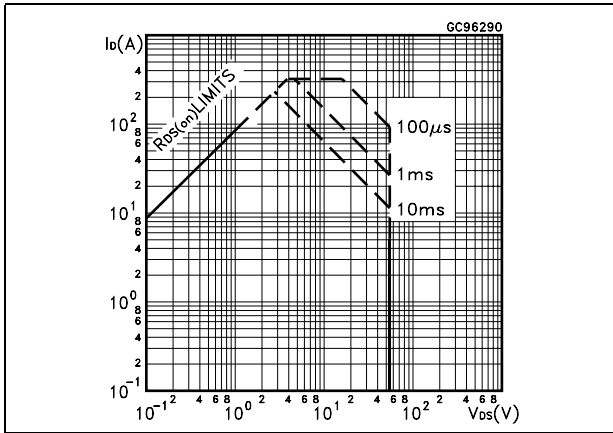


Figure 2. Thermal impedance for TO-220/
D²PAK/ I²PAK

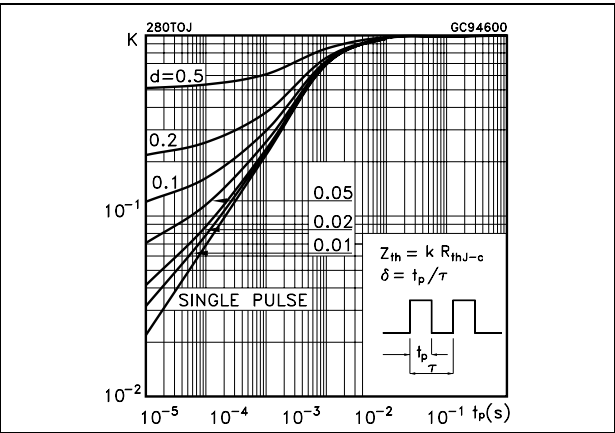


Figure 3. Safe operating area for TO-220FP

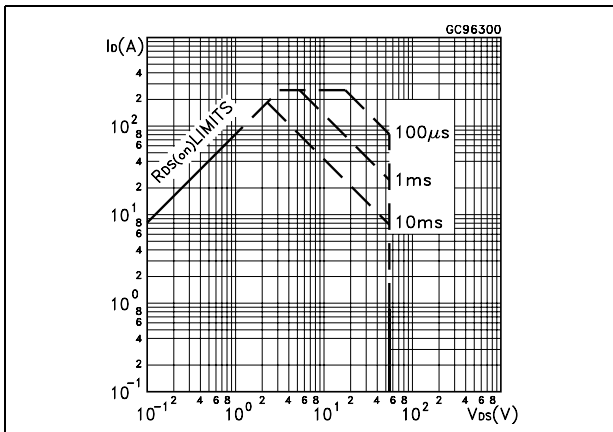


Figure 4. Thermal impedance for TO-220FP

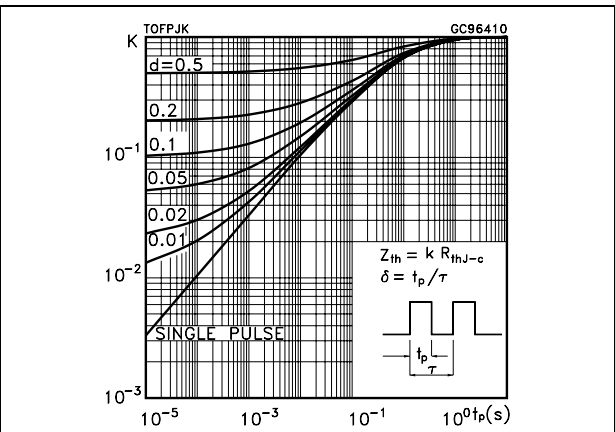


Figure 5. Output characteristics

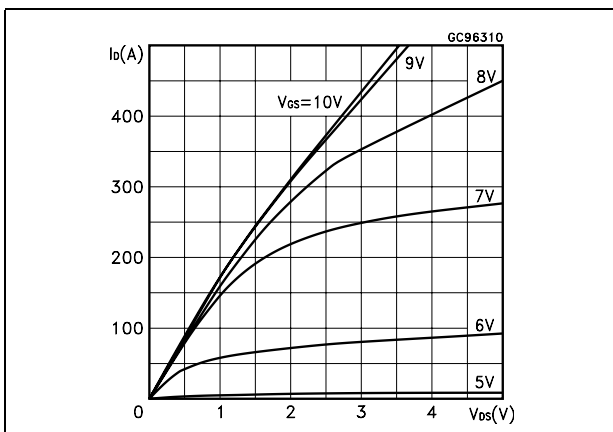


Figure 6. Transfer characteristics

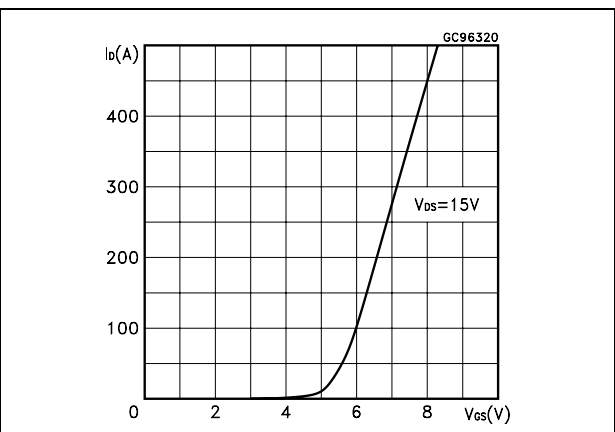


Figure 7. Transconductance

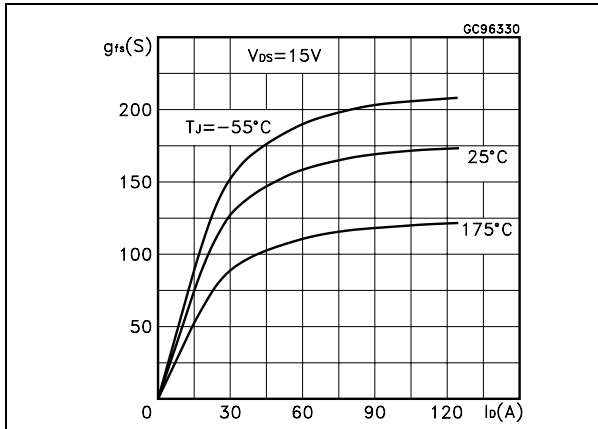


Figure 8. Static drain-source on resistance

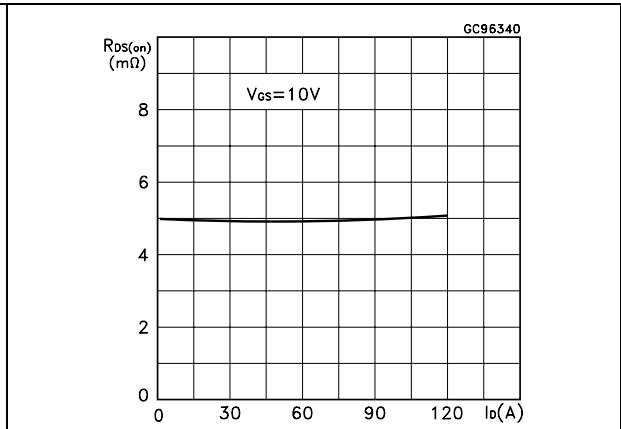


Figure 9. Gate charge vs gate-source voltage

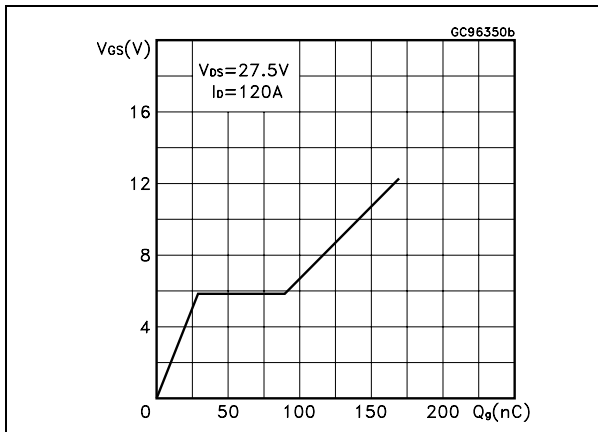


Figure 10. Capacitance variations

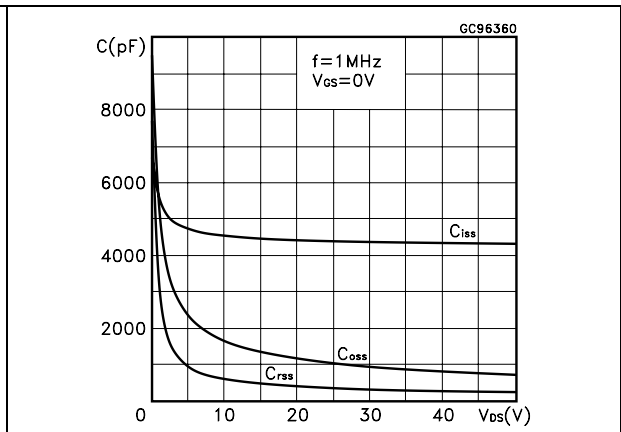


Figure 11. Normalized gate threshold voltage vs temperature

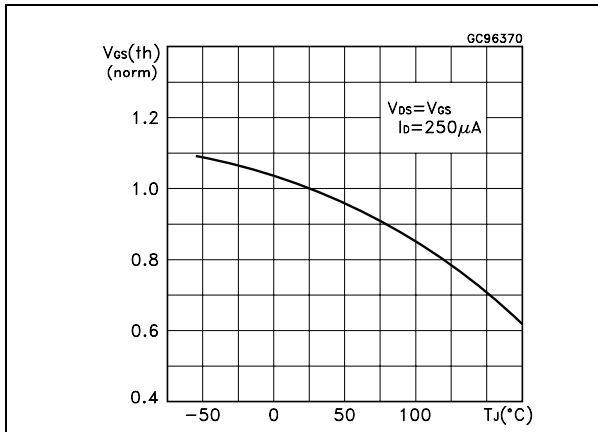


Figure 12. Normalized on resistance vs temperature

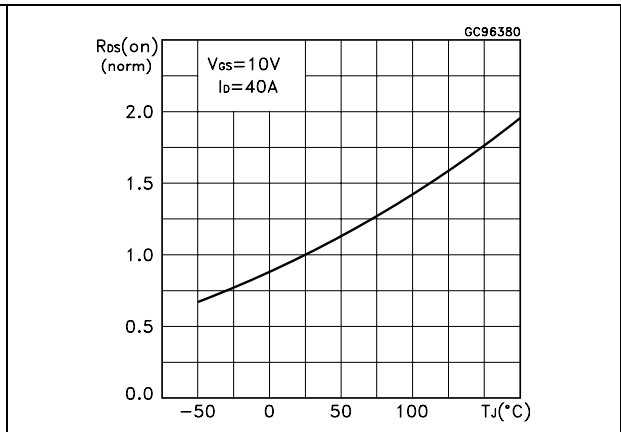


Figure 13. Source-drain diode forward characteristics

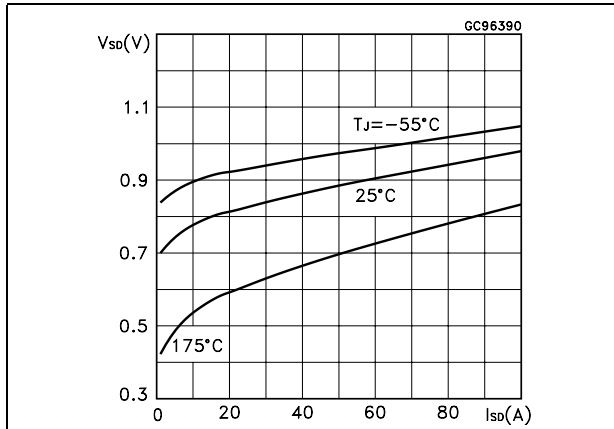
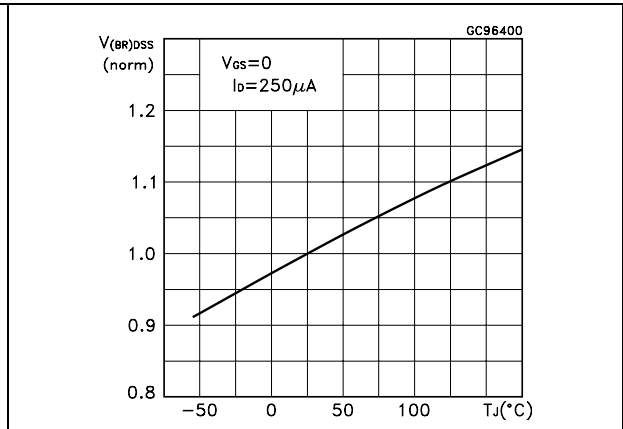


Figure 14. Normalized B_{VDSS} vs temperature



3 Test circuit

Figure 15. Switching times test circuit for resistive load



Figure 16. Gate charge test circuit



Figure 17. Test circuit for inductive load switching and diode recovery times



Figure 18. Unclamped Inductive load test circuit



Figure 19. Unclamped inductive waveform

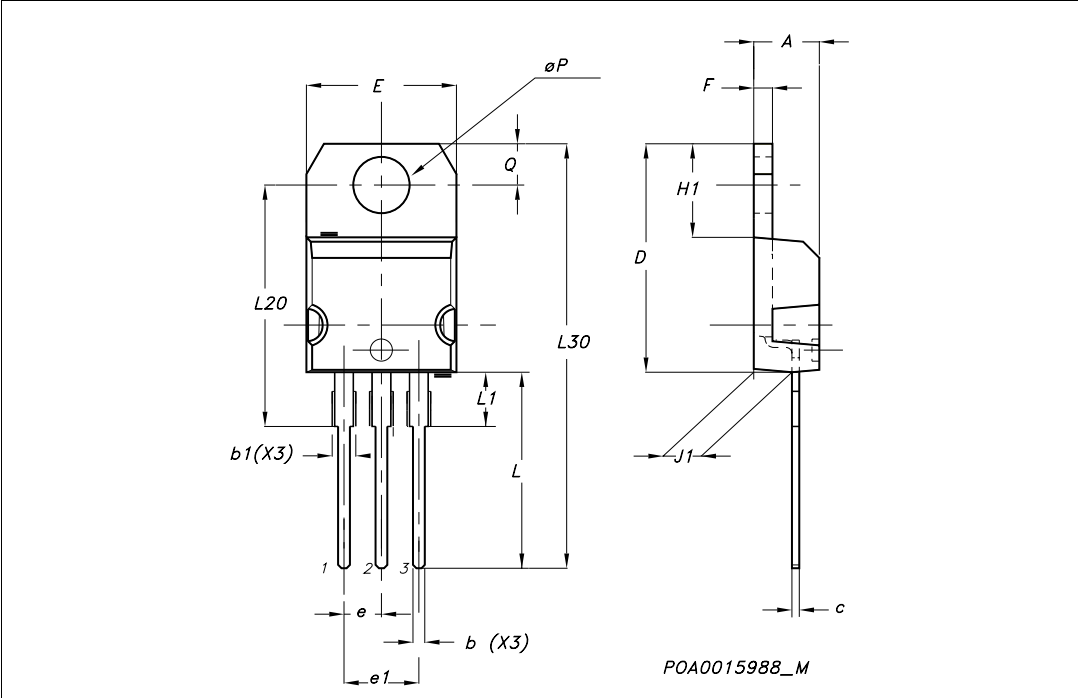


4 Package mechanical data

In order to meet environmental requirements, ST offers these devices in ECOPACK® packages. These packages have a Lead-free second level interconnect . The category of second level interconnect is marked on the package and on the inner box label, in compliance with JEDEC Standard JESD97. The maximum ratings related to soldering conditions are also marked on the inner box label. ECOPACK is an ST trademark. ECOPACK specifications are available at: www.st.com

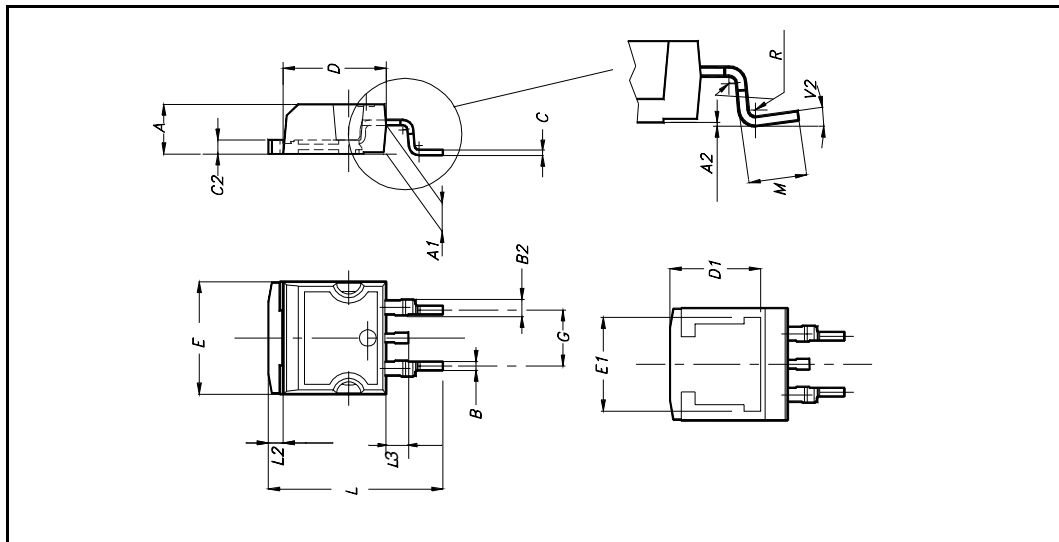
TO-220 MECHANICAL DATA

| DIM. | mm. | | | inch | | |
|------|-------|-------|-------|-------|-------|-------|
| | MIN. | TYP. | MAX. | MIN. | TYP. | MAX. |
| A | 4.40 | | 4.60 | 0.173 | | 0.181 |
| b | 0.61 | | 0.88 | 0.024 | | 0.034 |
| b1 | 1.15 | | 1.70 | 0.045 | | 0.066 |
| c | 0.49 | | 0.70 | 0.019 | | 0.027 |
| D | 15.25 | | 15.75 | 0.60 | | 0.620 |
| E | 10 | | 10.40 | 0.393 | | 0.409 |
| e | 2.40 | | 2.70 | 0.094 | | 0.106 |
| e1 | 4.95 | | 5.15 | 0.194 | | 0.202 |
| F | 1.23 | | 1.32 | 0.048 | | 0.052 |
| H1 | 6.20 | | 6.60 | 0.244 | | 0.256 |
| J1 | 2.40 | | 2.72 | 0.094 | | 0.107 |
| L | 13 | | 14 | 0.511 | | 0.551 |
| L1 | 3.50 | | 3.93 | 0.137 | | 0.154 |
| L20 | | 16.40 | | | 0.645 | |
| L30 | | 28.90 | | | 1.137 | |
| øP | 3.75 | | 3.85 | 0.147 | | 0.151 |
| Q | 2.65 | | 2.95 | 0.104 | | 0.116 |



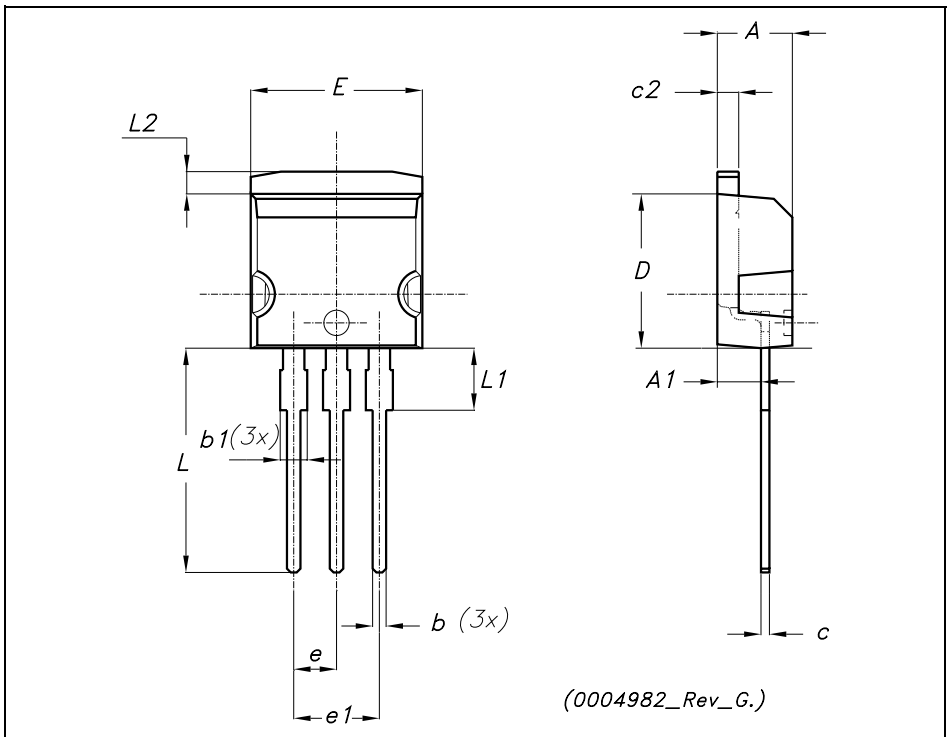
D²PAK MECHANICAL DATA

| DIM. | mm. | | | inch | | |
|------|------|-----|-------|-------|-------|-------|
| | MIN. | TYP | MAX. | MIN. | TYP. | MAX. |
| A | 4.4 | | 4.6 | 0.173 | | 0.181 |
| A1 | 2.49 | | 2.69 | 0.098 | | 0.106 |
| A2 | 0.03 | | 0.23 | 0.001 | | 0.009 |
| B | 0.7 | | 0.93 | 0.027 | | 0.036 |
| B2 | 1.14 | | 1.7 | 0.044 | | 0.067 |
| C | 0.45 | | 0.6 | 0.017 | | 0.023 |
| C2 | 1.23 | | 1.36 | 0.048 | | 0.053 |
| D | 8.95 | | 9.35 | 0.352 | | 0.368 |
| D1 | | 8 | | | 0.315 | |
| E | 10 | | 10.4 | 0.393 | | |
| E1 | | 8.5 | | | 0.334 | |
| G | 4.88 | | 5.28 | 0.192 | | 0.208 |
| L | 15 | | 15.85 | 0.590 | | 0.625 |
| L2 | 1.27 | | 1.4 | 0.050 | | 0.055 |
| L3 | 1.4 | | 1.75 | 0.055 | | 0.068 |
| M | 2.4 | | 3.2 | 0.094 | | 0.126 |
| R | | 0.4 | | | 0.015 | |
| V2 | 0° | | 4° | | | |



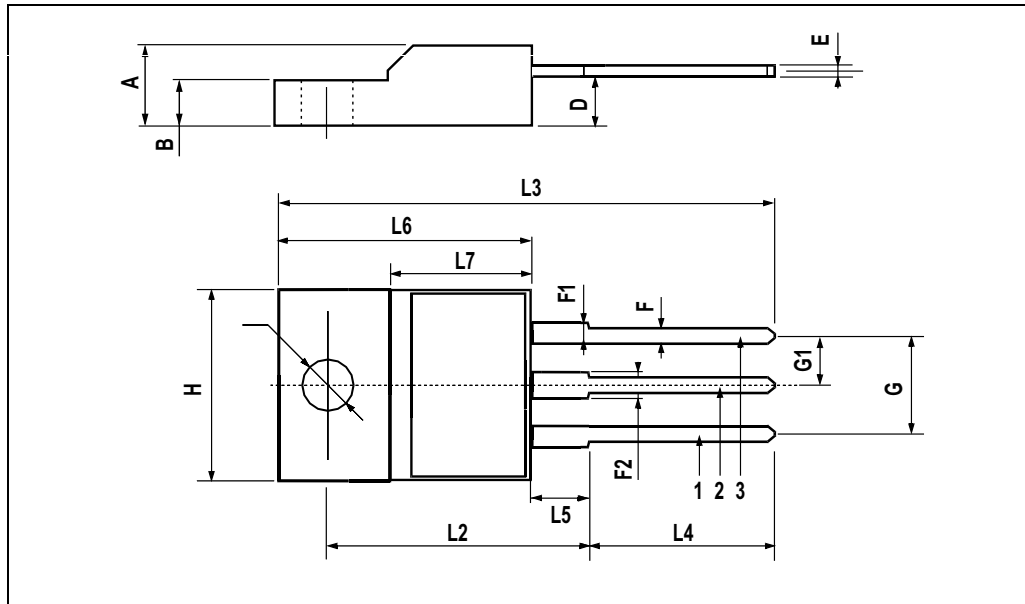
TO-262 (I²PAK) MECHANICAL DATA

| DIM. | mm. | | | inch | | |
|------|------|------|-------|-------|------|-------|
| | MIN. | TYP. | MAX. | MIN. | TYP. | MAX. |
| A | 4.40 | | 4.60 | 0.173 | | 0.181 |
| A1 | 2.40 | | 2.72 | 0.094 | | 0.107 |
| b | 0.61 | | 0.88 | 0.024 | | 0.034 |
| b1 | 1.14 | | 1.70 | 0.044 | | 0.066 |
| c | 0.49 | | 0.70 | 0.019 | | 0.027 |
| c2 | 1.23 | | 1.32 | 0.048 | | 0.052 |
| D | 8.95 | | 9.35 | 0.352 | | 0.368 |
| e | 2.40 | | 2.70 | 0.094 | | 0.106 |
| e1 | 4.95 | | 5.15 | 0.194 | | 0.202 |
| E | 10 | | 10.40 | 0.393 | | 0.410 |
| L | 13 | | 14 | 0.511 | | 0.551 |
| L1 | 3.50 | | 3.93 | 0.137 | | 0.154 |
| L2 | 1.27 | | 1.40 | 0.050 | | 0.055 |



TO-220FP MECHANICAL DATA

| DIM. | mm. | | | inch | | |
|------|------|------|------|-------|-------|-------|
| | MIN. | TYP. | MAX. | MIN. | TYP. | MAX. |
| A | 4.4 | | 4.6 | 0.173 | | 0.181 |
| B | 2.5 | | 2.7 | 0.098 | | 0.106 |
| D | 2.5 | | 2.75 | 0.098 | | 0.108 |
| E | 0.45 | | 0.7 | 0.017 | | 0.027 |
| F | 0.75 | | 1 | 0.030 | | 0.039 |
| F1 | 1.15 | | 1.7 | 0.045 | | 0.067 |
| F2 | 1.15 | | 1.7 | 0.045 | | 0.067 |
| G | 4.95 | | 5.2 | 0.195 | | 0.204 |
| G1 | 2.4 | | 2.7 | 0.094 | | 0.106 |
| H | 10 | | 10.4 | 0.393 | | 0.409 |
| L2 | | 16 | | | 0.630 | |
| L3 | 28.6 | | 30.6 | 1.126 | | 1.204 |
| L4 | 9.8 | | 10.6 | .0385 | | 0.417 |
| L5 | 2.9 | | 3.6 | 0.114 | | 0.141 |
| L6 | 15.9 | | 16.4 | 0.626 | | 0.645 |
| L7 | 9 | | 9.3 | 0.354 | | 0.366 |
| Ø | 3 | | 3.2 | 0.118 | | 0.126 |



5 Packaging mechanical data

D²PAK FOOTPRINT



TAPE AND REEL SHIPMENT

TAPE MECHANICAL DATA

| DIM. | mm | | inch | |
|------|------|------|--------|--------|
| | MIN. | MAX. | MIN. | MAX. |
| A0 | 10.5 | 10.7 | 0.413 | 0.421 |
| B0 | 15.7 | 15.9 | 0.618 | 0.626 |
| D | 1.5 | 1.6 | 0.059 | 0.063 |
| D1 | 1.59 | 1.61 | 0.062 | 0.063 |
| E | 1.65 | 1.85 | 0.065 | 0.073 |
| F | 11.4 | 11.6 | 0.449 | 0.456 |
| K0 | 4.8 | 5.0 | 0.189 | 0.197 |
| P0 | 3.9 | 4.1 | 0.153 | 0.161 |
| P1 | 11.9 | 12.1 | 0.468 | 0.476 |
| P2 | 1.9 | 2.1 | 0.075 | 0.082 |
| R | 50 | | 1.574 | |
| T | 0.25 | 0.35 | 0.0098 | 0.0137 |
| W | 23.7 | 24.3 | 0.933 | 0.956 |

REEL MECHANICAL DATA

| DIM. | mm | | inch | |
|------|------|------|-------|--------|
| | MIN. | MAX. | MIN. | MAX. |
| A | | 330 | | 12.992 |
| B | 1.5 | | 0.059 | |
| C | 12.8 | 13.2 | 0.504 | 0.520 |
| D | 20.2 | | 0.795 | |
| G | 24.4 | 26.4 | 0.960 | 1.039 |
| N | 100 | | 3.937 | |
| T | | 30.4 | | 1.197 |

| BASE QTY | BULK QTY |
|----------|----------|
| 1000 | 1000 |

10 pitches cumulative tolerance on tape +/- 0.2 mm

Center line of cavity

User Direction of Feed

FEED DIRECTION

TRL

Bending radius R min.

* on sales type

6 Revision history

Table 7. Revision history

| Date | Revision | Changes |
|-------------|----------|---|
| 21-Jun-2004 | 5 | Complete version |
| 13-Mar-2005 | 6 | Package inserted: I ² PAK |
| 20-Jul-2006 | 7 | New template, no content change |
| 24-Oct-2006 | 8 | Corrected value on Table 1.: Absolute maximum ratings |

Please Read Carefully:

Information in this document is provided solely in connection with ST products. STMicroelectronics NV and its subsidiaries ("ST") reserve the right to make changes, corrections, modifications or improvements, to this document, and the products and services described herein at any time, without notice.

All ST products are sold pursuant to ST's terms and conditions of sale.

Purchasers are solely responsible for the choice, selection and use of the ST products and services described herein, and ST assumes no liability whatsoever relating to the choice, selection or use of the ST products and services described herein.

No license, express or implied, by estoppel or otherwise, to any intellectual property rights is granted under this document. If any part of this document refers to any third party products or services it shall not be deemed a license grant by ST for the use of such third party products or services, or any intellectual property contained therein or considered as a warranty covering the use in any manner whatsoever of such third party products or services or any intellectual property contained therein.

UNLESS OTHERWISE SET FORTH IN ST'S TERMS AND CONDITIONS OF SALE ST DISCLAIMS ANY EXPRESS OR IMPLIED WARRANTY WITH RESPECT TO THE USE AND/OR SALE OF ST PRODUCTS INCLUDING WITHOUT LIMITATION IMPLIED WARRANTIES OF MERCHANTABILITY, FITNESS FOR A PARTICULAR PURPOSE (AND THEIR EQUIVALENTS UNDER THE LAWS OF ANY JURISDICTION), OR INFRINGEMENT OF ANY PATENT, COPYRIGHT OR OTHER INTELLECTUAL PROPERTY RIGHT.

UNLESS EXPRESSLY APPROVED IN WRITING BY AN AUTHORIZED ST REPRESENTATIVE, ST PRODUCTS ARE NOT RECOMMENDED, AUTHORIZED OR WARRANTED FOR USE IN MILITARY, AIR CRAFT, SPACE, LIFE SAVING, OR LIFE SUSTAINING APPLICATIONS, NOR IN PRODUCTS OR SYSTEMS WHERE FAILURE OR MALFUNCTION MAY RESULT IN PERSONAL INJURY, DEATH, OR SEVERE PROPERTY OR ENVIRONMENTAL DAMAGE. ST PRODUCTS WHICH ARE NOT SPECIFIED AS "AUTOMOTIVE GRADE" MAY ONLY BE USED IN AUTOMOTIVE APPLICATIONS AT USER'S OWN RISK.

Resale of ST products with provisions different from the statements and/or technical features set forth in this document shall immediately void any warranty granted by ST for the ST product or service described herein and shall not create or extend in any manner whatsoever, any liability of ST.

ST and the ST logo are trademarks or registered trademarks of ST in various countries.

Information in this document supersedes and replaces all information previously supplied.

The ST logo is a registered trademark of STMicroelectronics. All other names are the property of their respective owners.

© 2006 STMicroelectronics - All rights reserved

STMicroelectronics group of companies

Australia - Belgium - Brazil - Canada - China - Czech Republic - Finland - France - Germany - Hong Kong - India - Israel - Italy - Japan - Malaysia - Malta - Morocco - Singapore - Spain - Sweden - Switzerland - United Kingdom - United States of America

www.st.com

