

**PLEASE CHECK WWW.MOLEX.COM FOR LATEST PART INFORMATION**

**Part Number:** [0850010086](#)  
**Status:** **Active**  
**Overview:** IEC 603-2 / DIN 41612  
**Description:** 2.54mm (.100") Pitch DIN 41612 B Style Male Header, PCT, Right Angle, Through Hole, 0.60µm (24µ") Selective Gold (Au) Plating, 32 Circuits, with Mounting Clips, No Flux Proof

**Documents:**

[Drawing \(PDF\)](#) [RoHS Certificate of Compliance \(PDF\)](#)  
[Product Specification PS-85003-0001 \(PDF\)](#)

**Agency Certification**

CSA LR19980  
 UL E29179

**General**

Product Family Backplane Connectors  
 Series [85001](#)  
 Application Backplane  
 Comments No Mounting Clips. No Flux Proof. 4.2mm(.165") Last-Mate- First-Break Contacts. 5.4mm(.213") First-Mate-Last-Break Contacts. 4.8mm (.189") Normal Contacts  
 Component Type PCB Header  
 Overview [IEC 603-2 / DIN 41612](#)  
 Product Name IEC 603-2/DIN 41612  
 Style B

**Physical**

Circuits (Loaded) 32  
 Circuits (maximum) 32  
 Circuits Detail Contact Positions: a1-a32  
 Color - Resin Natural  
 Durability (mating cycles max) 400  
 First Mate / Last Break Yes  
 Flammability 94V-0  
 Guide to Mating Part No  
 Keying to Mating Part Yes  
 Material - Metal Brass  
 Material - Plating Mating Gold  
 Material - Plating Termination Tin  
 Material - Resin Polyester  
 Number of Columns 16  
 Number of Pairs Open Pin Field  
 Number of Rows 2  
 Orientation Right Angle  
 PC Tail Length (in) 0.118 In  
 PC Tail Length (mm) 3.00 mm  
 PCB Locator No  
 PCB Retention Yes  
 Packaging Type Carton  
 Pitch - Mating Interface (in) 0.100 In  
 Pitch - Mating Interface (mm) 2.54 mm  
 Pitch - Term. Interface (in) 0.100 In  
 Pitch - Term. Interface (mm) 2.54 mm  
 Plating min: Mating (µin) 24  
 Plating min: Mating (µm) 0.60

**EU RoHS** **China RoHS**

**Compliance Status**

**Not Reviewed**

**REACH SVHC**

**Not Reviewed**

**Halogen-Free Status**

**Not Reviewed**

**Need more information on product environmental compliance?**

Email [productcompliance@molex.com](mailto:productcompliance@molex.com)  
 For a multiple part number RoHS Certificate of Compliance, [click here](#)

Please visit the [Contact Us](#) section for any non-product compliance questions.

**Search Parts in this Series**

[85001Series](#)

Plating min: Termination ( $\mu$ in)	98
Plating min: Termination ( $\mu$ m)	2.5
Polarized to PCB	Yes
Stackable	No
Surface Mount Compatible (SMC)	No
Temperature Range - Operating	-55°C to +125°C
Termination Interface: Style	Through Hole

### **Electrical**

Current - Maximum per Contact	1A
Data Rate	622.0 Mbps
Voltage - Maximum	250V AC (RMS)

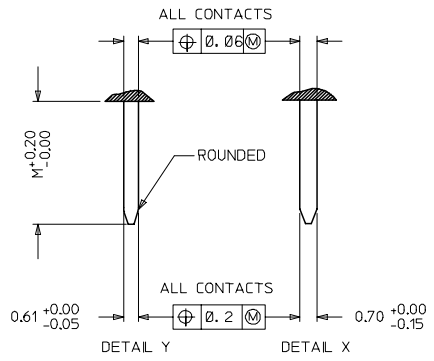
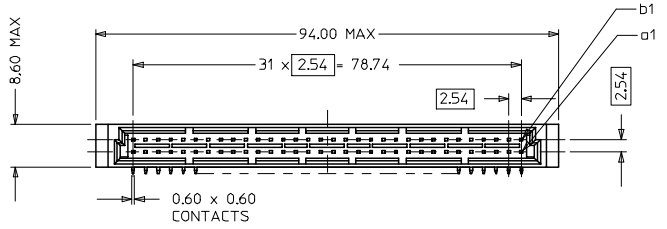
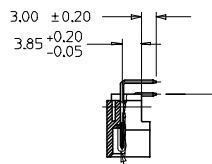
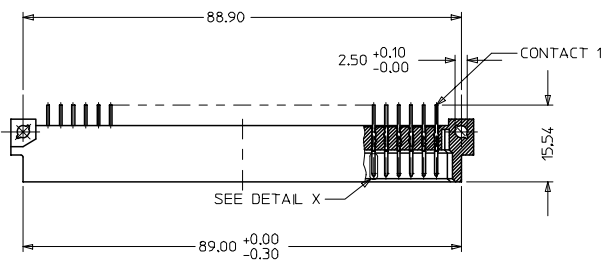
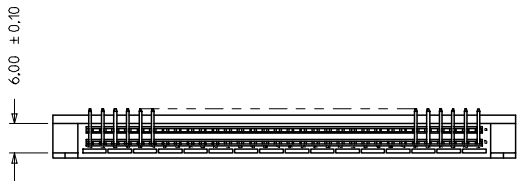
### **Material Info**

### **Reference - Drawing Numbers**

Product Specification	PS-85003-0001
Sales Drawing	SD-85001-0001, SD-85001-0086, SDA-85001-0001, SDA-85001-0086

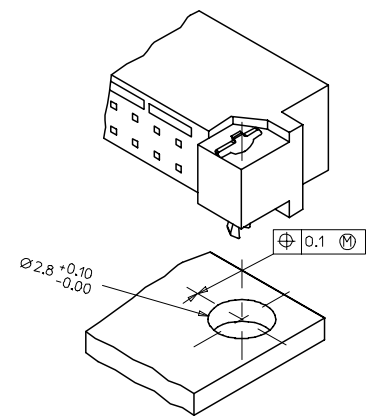
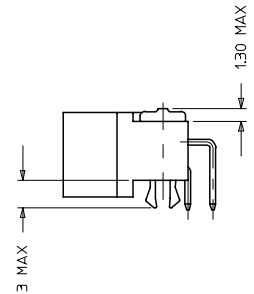
This document was generated on 03/09/2010

**PLEASE CHECK [WWW.MOLEX.COM](http://WWW.MOLEX.COM) FOR LATEST PART INFORMATION**



WITH MOUNTING CLIPS

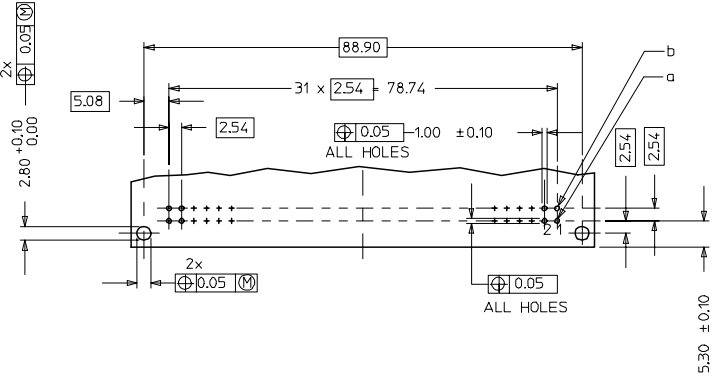
8:1



NOTES:

- MATERIALS: THERMX (PCT), GLASS FILLED, UL94V-0.COLOUR: NATURAL  
TERMINAL - BRASS  
MOUNTING CLIP: STEEL
- FINISH: TERMINAL-  
CONTACT AREA  
1. PERFORMANCE LEVEL 1: SELECTIVE GOLD (Au), THICKNESS = 1.1 MICROMETER  
OVER NICKEL, THICKNESS = 1.25 MICROMETER  
2. PERFORMANCE LEVEL 2: SELECTIVE GOLD (Au), THICKNESS = 0.6 MICROMETER  
OVER NICKEL, THICKNESS = 1.25 MICROMETER  
3. PERFORMANCE LEVEL 3: SELECTIVE GOLD (Au), THICKNESS = 0.3 MICROMETER  
OVER NICKEL, THICKNESS = 1.25 MICROMETER  
TERMINATION AREA:  
SELECTIVE TIN, THICKNESS = 2.5 MICROMETER  
OVER NICKEL, THICKNESS = 1.25 MICROMETER OVERALL
- MOUNTING CLIP:-  
TIN (Sn), THICKNESS = 5-10 MICROMETER,  
OVER NICKEL (Ni), THICKNESS = 2.5 MICROMETER
- FOR NON MOUNTING CLIP OPTION, CONNECTOR TO BE SECURED WITH  
RIVETS: 2 TUBULAR RIVETS 2.5 x 0.3 \_ DIN 7340  
SCREWS: 2 CHEESEHEAD SCREWS M2.5 x \_ DIN 84 AND 2 HEXAGONAL NUTS M2.5 DIN 934
- MATERIAL NUMBER, BATCH CODE, UL AND CSA MARKING  
TO BE PRINTED ON THE CONNECTOR
- CUT FACE OF TIP WITHOUT PLATING PERMITTED
- PRODUCT SPECIFICATION PS : 85003-0001

RECOMMENDED PCB LAYOUT  
COMPONENT SIDE



LMFB CONTACTS	4.2
FMLB CONTACTS	5.4
NORMAL CONTACTS	4.8
	M

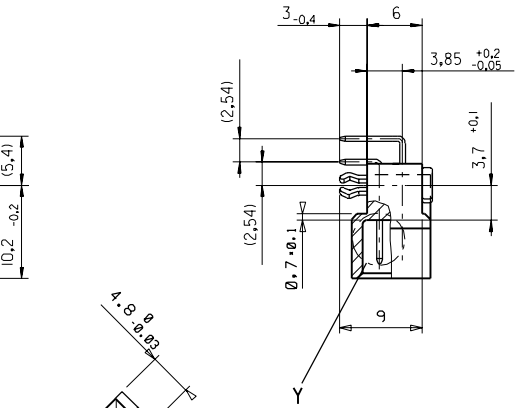
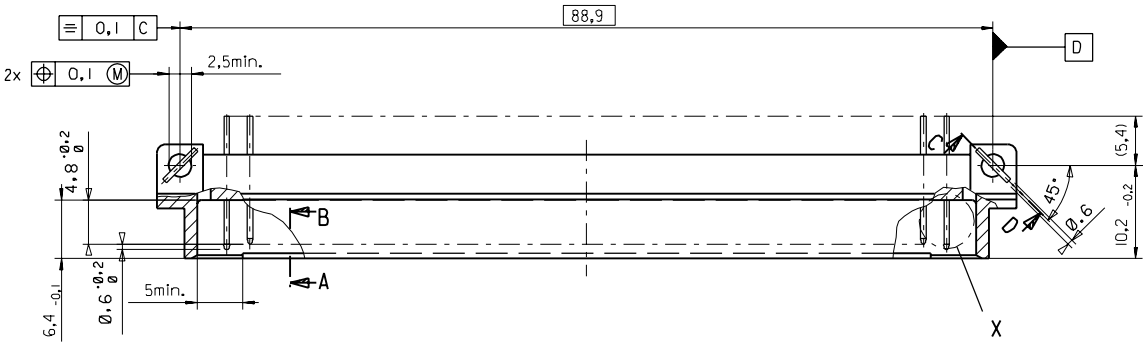
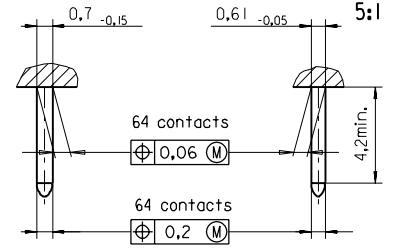
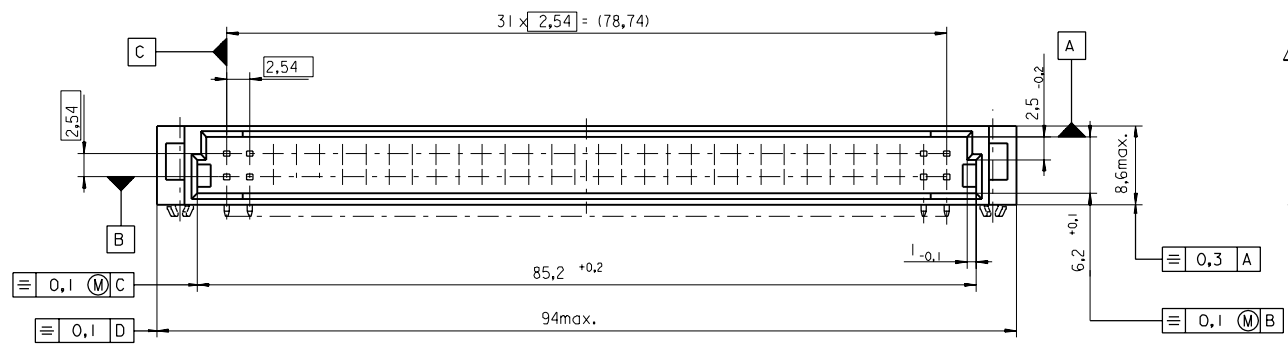
RoHS COMPLIANT

<b>ENTER DESCRIPTION</b> ELC INC. 2007-0193 DRAWING NO. 2007/01108 CHECKED BY CHIKOSUDHIR APPROVED BY APPROPRIATE	<b>QUALITY SYMBOLS</b> ▽=0 ▽=0	<b>GENERAL TOLERANCES (UNLESS SPECIFIED)</b>		<b>DIMENSION STYLE</b> MM ONLY		SCALE 2:1	DESIGN UNITS METRIC	THIRD ANGLE PROJECTION
		4 PLACES ± --- ± --- 3 PLACES ± 0.05 ± --- 2 PLACES ± 0.1 ± --- 1 PLACE ± 0.15 ± ---	INCH ± --- ± --- ± ---	DRAWN BY SS	DATE 1999/10/14	CHECKED BY G J LOWE	DATE 1999/10/14	ASSEMBLY, DIN 41612, B MALE, 64 POS
DRAFT WHERE APPLICABLE MUST REMAIN WITHIN DIMENSIONS		MATERIAL NO. SEE CHART		DATE 1999/10/14		MOLEX INCORPORATED		
SIZE A 1		THIS DRAWING CONTAINS INFORMATION THAT IS PROPRIETARY TO MOLEX INCORPORATED AND SHOULD NOT BE USED WITHOUT WRITTEN PERMISSION		DOCUMENT NO. SD-85001-0001			SHEET NO. 1 OF 1	



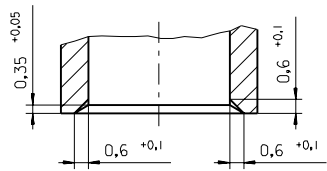
PART NO.  
DWG. NO.

View X  
5:1  
View Y  
5:1



Section C - D

Section A - B  
5:1



FIRST ANGLE PROJECTION		REVISE ONLY ON CAD SYSTEM		SH.	REV.
first release see ECN No. 1887	L TR REVISIONS FOR PREVIOUS REVISIONS SEE MRI LIST	UNLESS OTHERWISE SPECIFIED TOLERANCES: ANGULAR ±2°	DRWG BY SIGN Ca	CAD/CAM PROJECT NAME 85001000 811	
		INCH METRIC	CHK'D BY SIGN KN	THIS DRAWING CONTAINS INFORMATION THAT IS PROPRIETARY TO MOLEX INC. & SHOULD NOT BE USED WITHOUT WRITTEN PERMISSION	
		3 PLACE ± . ±	APP'D BY SIGN	TITLE 64 pos. Male connector acc. DIN 41612 style B Dimensions	
		2 PLACE ± . ±	SCALE 2:1	SHEET NO. DATE 1 OF 95/06/06	
		DESIGN DIMENSION <input checked="" type="checkbox"/> MM		MOLEX MOLEX EUROPE	
		EQUIVALENT DIMENSION <input type="checkbox"/> MM		SHEET NO. DATE	
		<input type="checkbox"/> IN.		1 OF 95/06/06	
		<input type="checkbox"/> IN.		PART NO. DWG NO. SIZE	
		IF TWO DIMENSIONS ARE SHOWN THE UPPER IS THE DESIGN DIMENSION, LOWER IS SECONDARY		SDA-85001-0001 B	

