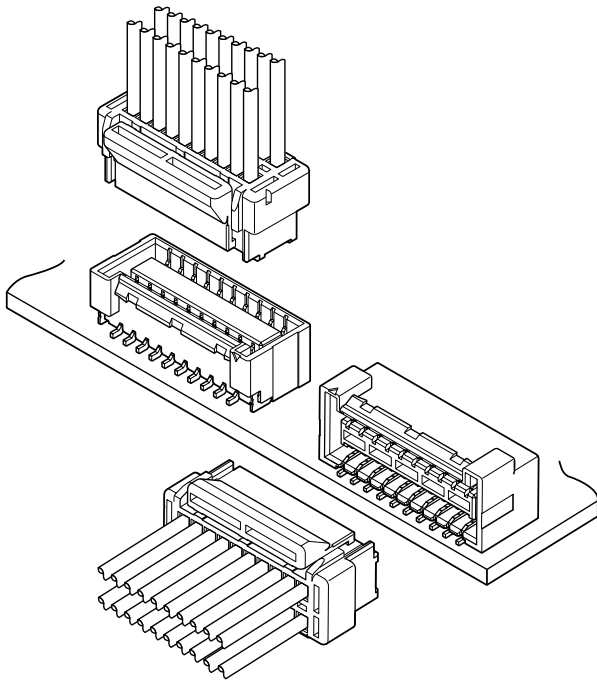




ZPD CONNECTOR

1.5mm pitch/Disconnectable Crimp style connectors



In order to correspond to the high-density PC board designing, this ZPD connector is designed as 1.5mm pitch double row type connector with secure locking device. Low insertion force is realized and good mating feeling is also prepared, and these provide the certain mating operation.

- **Secure locking structure**
- **Low insertion force**
- **Suction area for picking up**
- **Improvement of engagement with prying**

Specifications

- Current rating: 10 to 30 circuits/ 2 A AC, DC (AWG #24)
32 to 40 circuits/ 1.5 A AC, DC (AWG #24)
- Voltage rating: 100 V AC, DC
- Temperature range: -25°C to +85°C
(including temperature rise in applying electrical current)
- Contact resistance: Initial value/ 30 mΩ max.
After environmental tests/ 60 mΩ max.
- Insulation resistance: 500 MΩ min.
- Withstanding voltage: 500 VAC/minute
- Applicable wire: Conductor size/ AWG #28 to #24
Insulation O.D./ 0.76 to 1.2 mm

- * Refer to "General Instruction and Notice when using Terminals and Connectors" at the end of this catalog.
- * Contact JST for details.
- * Compliant with RoHS.

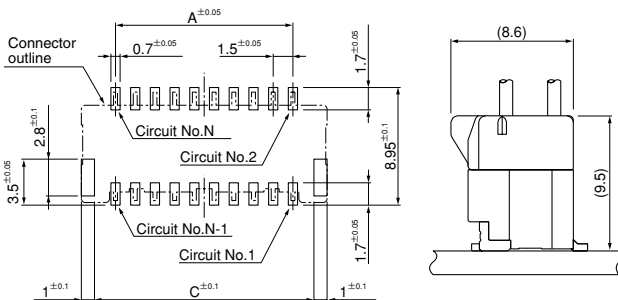
Standards

Recognized E60389

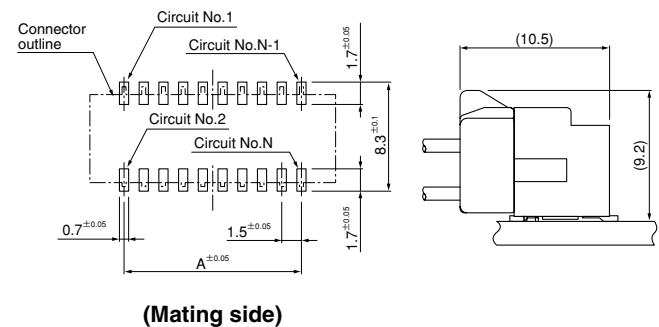
Certified LR20812

PC board layout and Assembly layout

Top entry type



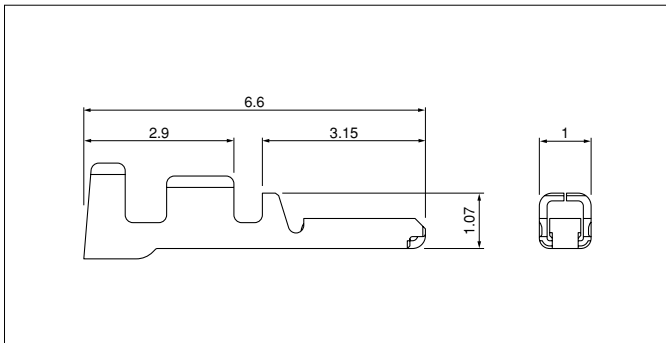
Side entry type



- Note: 1. The above figure is the figure viewed from the connector mounting side.
2. Tolerances are non-cumulative: ± 0.05 mm for all centers.
3. The dimensions above should serve as a guideline. Contact JST for details.

ZPD CONNECTOR

Contact



Model No.	Applicable wire		Insulation O.D. (mm)	Q'ty/ reel
	mm ²	AWG#		
SZPD-002T-P0.3	0.08~0.21	28~24	0.76~1.2	16,000

Material and Finish

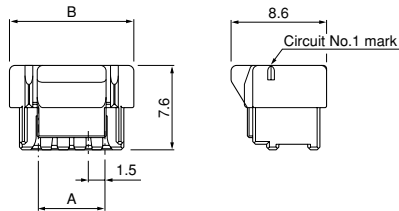
Copper alloy, tin-plated (reflow treatment)

RoHS compliance

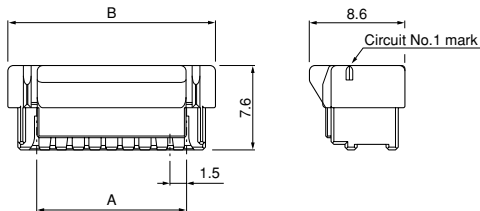
Contact	Crimping machine	Applicator		
		Crimp applicator	Dies	Crimp applicator with dies
SZPD-002T-P0.3	AP-K2N	MKS-L	MK/SZE-002-03	APLMK SZE002-03

Housing

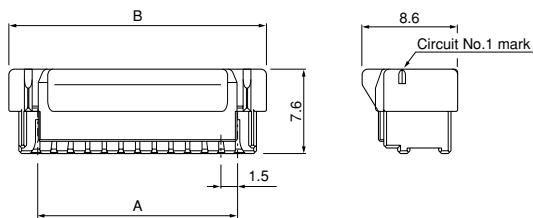
<10 circuits>



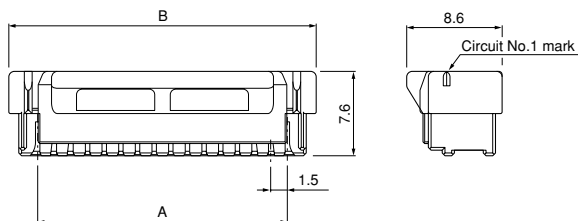
<12 to 24 circuits>



<26 to 30 circuits>



<32 to 40 circuits>



Circuits	Model No.	Dimensions (mm)		Q'ty/ bag
		A	B	
10	ZPDR-10V-S	6.0	11.2	1,000
12	ZPDR-12V-S	7.5	12.7	1,000
14	ZPDR-14V-S	9.0	14.2	1,000
16	ZPDR-16V-S	10.5	15.7	1,000
18	ZPDR-18V-S	12.0	17.2	1,000
20	ZPDR-20V-S	13.5	18.7	1,000
22	ZPDR-22V-S	15.0	20.2	1,000
24	ZPDR-24V-S	16.5	21.7	1,000
26	ZPDR-26V-S	18.0	23.2	1,000
28	ZPDR-28V-S	19.5	24.7	500
30	ZPDR-30V-S	21.0	26.2	500
32	ZPDR-32V-1-Z	22.5	27.7	500
34	ZPDR-34V-1-Z	24.0	29.2	500
36	ZPDR-36V-1-Z	25.5	30.7	500
38	ZPDR-38V-1-Z	27.0	32.2	500
40	ZPDR-40V-1-Z	28.5	33.7	500

Material

PBT, UL94V-0, natural (10 to 30 circuits), ivory (32 to 40 circuits)

RoHS compliance

<For reference> As the color identification, the following alphabet shall be put in the underlined part. For availability, delivery and minimum order quantity, contact JST.

ex. **ZPDR-10V-S**

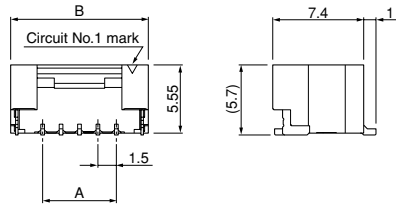
10 to 30 circuits S...natural Z...ivory MG...moss green
TR...tomato red DPK...dark pink E...blue
32 to 40 circuits Z...ivory K...black

ZPD CONNECTOR

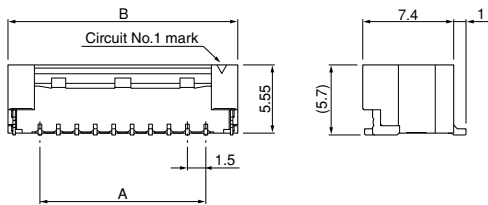
Shrouded header

Top entry type

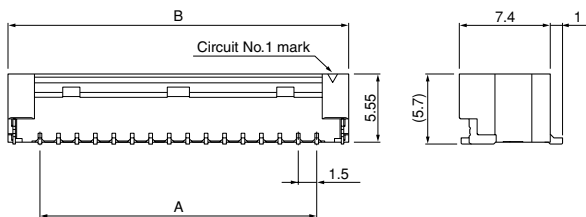
<10 circuits>



<12 to 30 circuits>

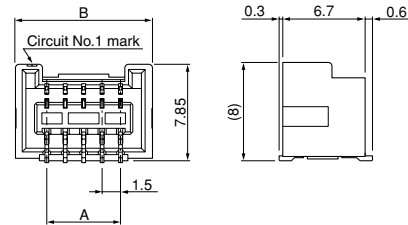


<32 to 40 circuits>

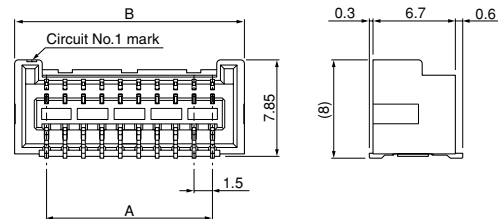


Side entry type

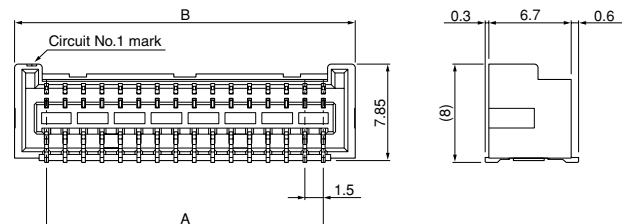
<10 circuits>



<12 to 30 circuits>



<32 to 40 circuits>



Top entry type

Circuits	Model No.	Dimensions (mm)			Q'ty/ reel
		A	B	C	
10	BM10B-ZPDSS-TF	6.0	11.2	9.2	1,000
12	BM12B-ZPDSS-TF	7.5	12.7	10.7	1,000
14	BM14B-ZPDSS-TF	9.0	14.2	12.2	1,000
16	BM16B-ZPDSS-TF	10.5	15.7	13.7	1,000
18	BM18B-ZPDSS-TF	12.0	17.2	15.2	1,000
20	BM20B-ZPDSS-TF	13.5	18.7	16.7	1,000
22	BM22B-ZPDSS-TF	15.0	20.2	18.2	1,000
24	BM24B-ZPDSS-TF	16.5	21.7	19.7	1,000
26	BM26B-ZPDSS-TF	18.0	23.2	21.2	1,000
28	BM28B-ZPDSS-TF	19.5	24.7	22.7	1,000
30	BM30B-ZPDZS-TF	21.0	26.2	24.2	1,000
32	BM32B-ZPDZS-TF	22.5	27.7	25.7	1,000
34	BM34B-ZPDZS-TF	24.0	29.2	27.2	1,000
36	BM36B-ZPDZS-TF	25.5	30.7	28.7	1,000
38	BM38B-ZPDZS-TF	27.0	32.2	30.2	1,000
40	BM40B-ZPDZS-TF	28.5	33.7	31.7	1,000

Material and Finish

Contact: Copper alloy, copper-undercoated, tin-plated (reflow treatment)
 Wafer: Polyamide, UL94V-0, natural (10 to 30 circuits)
 LCP, UL94V-0, ivory (32 to 40 circuits)
 Reinforcing tab: Copper alloy, copper-undercoated, tin-plated (reflow treatment)

Side entry type

Circuits	Model No.	Dimensions (mm)		Q'ty/ reel
		A	B	
10	SM10B-ZPDSS-TF	6.0	11.2	700
12	SM12B-ZPDSS-TF	7.5	12.7	700
14	SM14B-ZPDSS-TF	9.0	14.2	700
16	SM16B-ZPDSS-TF	10.5	15.7	700
18	SM18B-ZPDSS-TF	12.0	17.2	700
20	SM20B-ZPDSS-TF	13.5	18.7	700
22	SM22B-ZPDSS-TF	15.0	20.2	700
24	SM24B-ZPDSS-TF	16.5	21.7	700
26	SM26B-ZPDSS-TF	18.0	23.2	700
28	SM28B-ZPDSS-TF	19.5	24.7	700
30	SM30B-ZPDSS-TF	21.0	26.2	700
32	SM32B-ZPDZS-TF	22.5	27.7	700
34	SM34B-ZPDZS-TF	24.0	29.2	700
36	SM36B-ZPDZS-TF	25.5	30.7	700
38	SM38B-ZPDZS-TF	27.0	32.2	700
40	SM40B-ZPDZS-TF	28.5	33.7	700

Material and Finish

Contact: Copper alloy, copper-undercoated, tin-plated (reflow treatment)
 Wafer: Polyamide, UL94V-0, natural (10 to 30 circuits)
 LCP, UL94V-0, ivory (32 to 40 circuits)

RoHS compliance This product displays (LF)(SN) on a label.
 Note: The products listed above are supplied on embossed-tape.

RoHS compliance This product displays (LF)(SN) on a label.
 Note: The products listed above are supplied on embossed-tape.

<For reference> As the color identification, the following alphabet shall be put in the underlined part.
 For availability, delivery and minimum order quantity, contact JST.

ex. **BM10B-ZPDSS-TF** **SM10B-ZPDSS-TF**

10 to 30 circuits S...natural Z...ivory MG...moss green TR...tomato red DPK...dark pink E...blue
 32 to 40 circuits Z...ivory K...black