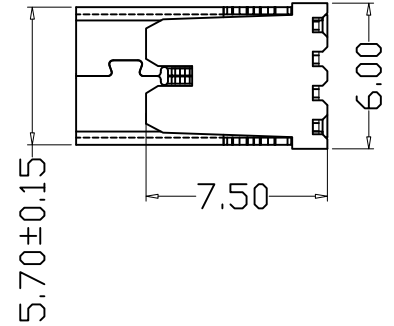
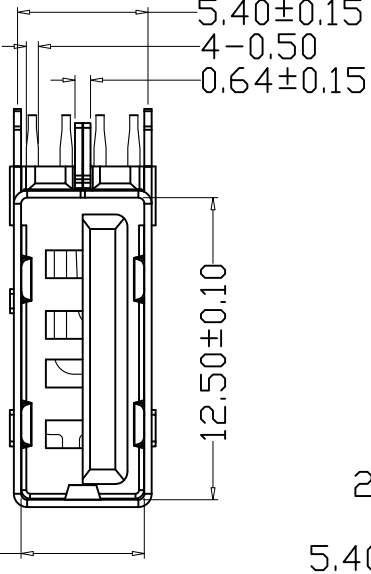
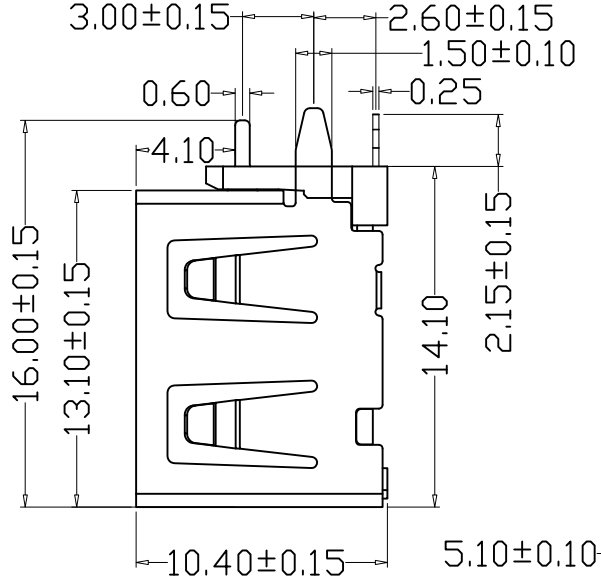
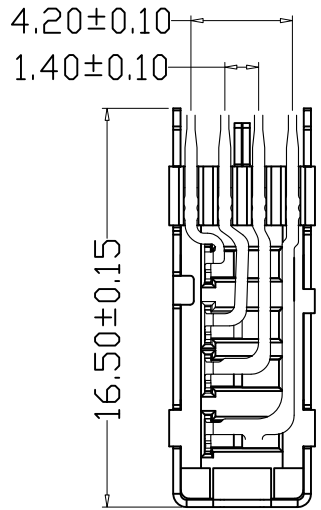
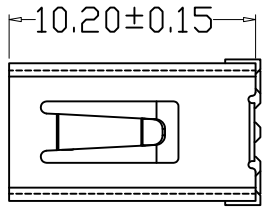
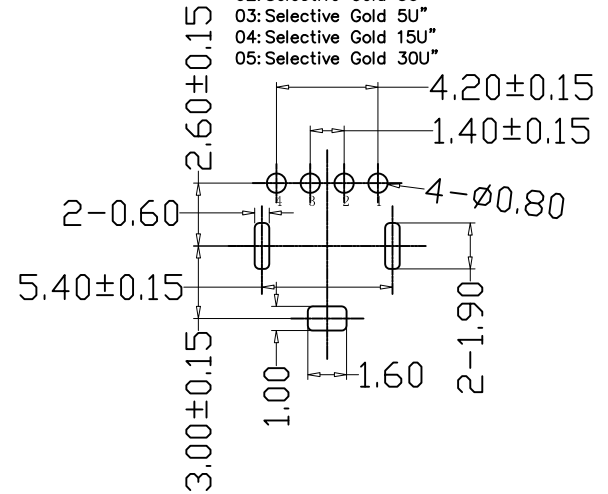


MAPX	MODIFICATION	DATE



NOTE:

- Material:
  - Housing: Thermoplastics
  - Contact: Phosphor Bronze C5191-EH/C2680-EH, T=0.25mm
  - Shell: COPPER ALLOY T=0.30mm
- FINISH:
  - Contact: 15u" Gold Plated on Contact Area, 80u" Min.Tin Plated on Solder Area, 50u" Min.Nickel Underplating Over All.
  - Shell: 50u" Min.Nickel Underplating Over All.
- Specification:
  - Rating:
    - Rated voltage 500V AC/DC. Rated current: 2 A Max.
  - Electrical:
    - Insulation Resistance(EIA-364-21): 1000M $\Omega$  Min. at 500V/DC for 1Minute.
    - Contact Resistance(EIA-364-23): 30 m $\Omega$  Max. at 20mV Max, 50mA
    - Dielectric Withstanding Voltage(EIA-364-20): No discharge, flashover or breakdown at 500V/AC 1Minute
  - Plug extraction force shall be between 1.0kgf and 2.00kgf
  - Contact finish:
    - 01: Selective Gold Flash
    - 02: Selective Gold 3U"
    - 03: Selective Gold 5U"
    - 04: Selective Gold 15U"
    - 05: Selective Gold 30U"



RECOMMENDED PCB LAYOUT  
GENERAL TOLERANCES:  $\pm 0.05$

<b>产品图</b> PRODUCT CHART DWG				<b>深圳市精拓金电子有限公司</b>							
公差一览表 TOLERANCE UNLESS OTHERWISE				单位	MM	制图	Z-Y-B	制图料号	906-162A1116D10200		
X.	$\pm 0.25$	X.	$\pm 5.^\circ$	UNITS		DRAWING		PRODUCT PART NO.			
.X	$\pm 0.20$	.X	$\pm 2.^\circ$	比例	1:1	审核		产品名称	AF10.0侧插短体三直脚无边铜壳		
.XX	$\pm 0.15$	.XX	$\pm 1.^\circ$	SCALE		核准		PRODUCT NO.	PBT加厚橙胶		
.XXX	$\pm 0.10$	.XXX	$\pm 0.5^\circ$	日期	2014.02.20	APPD		角法		版本	A0
				DATE				VIEW		VER	