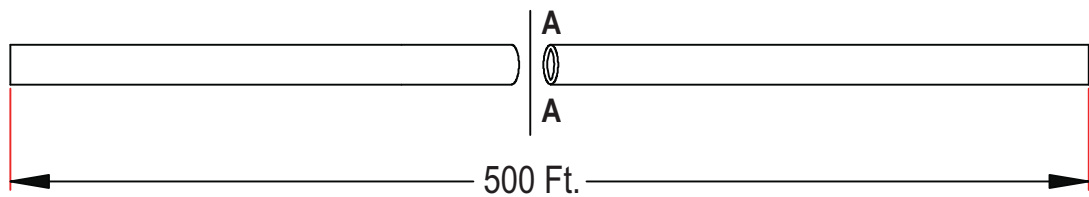


A



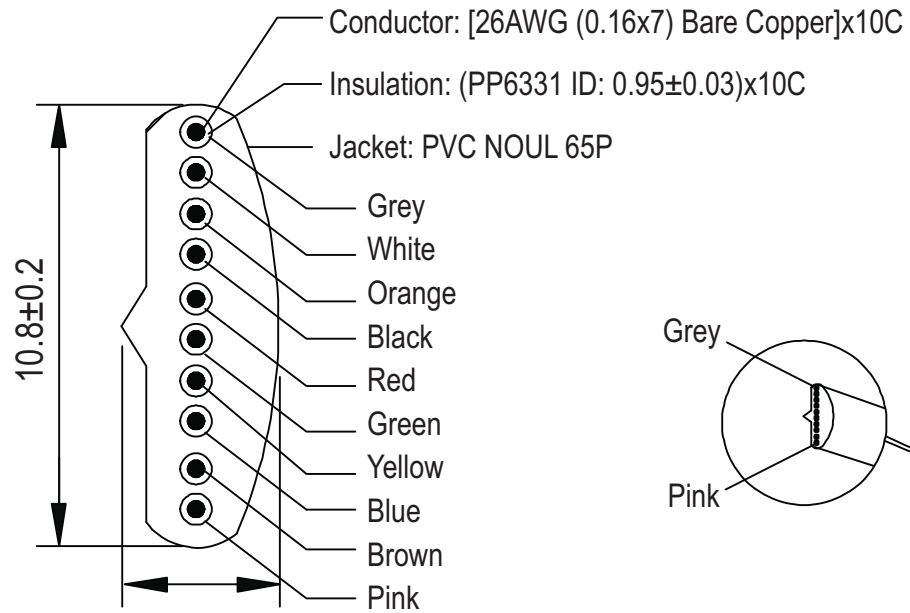
A

B

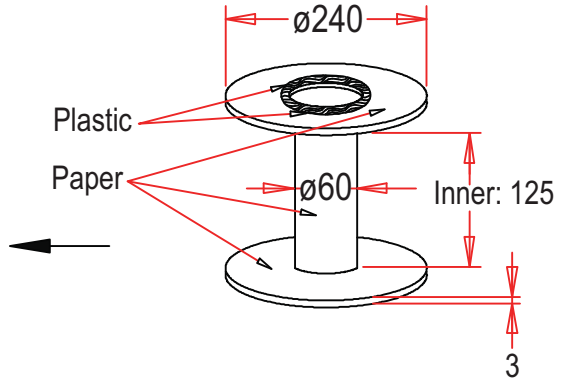
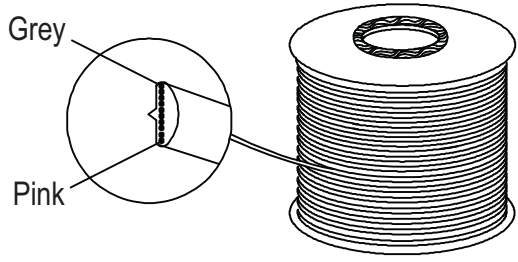
B

C

C



Sec: A - A



500Ft/R. "PE" Foam Wrapped

Unit: MM

G

G

Scale	1:1					Name	Item No.
TOLERANCE					Drawn	12.19.11	AT-K-26-10-W/500-R
X.X	±0.40				Approved		
X.XX	±0.25						
X.XXX	±0.15						
Angle	±3°						Title
							Modular Straight cable - Raw, 10 Contact, 26AWG, White, 500Ft.
							Drawing No.
							Replace
							Sheet



H

H