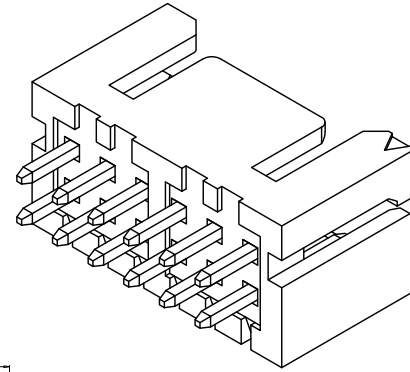
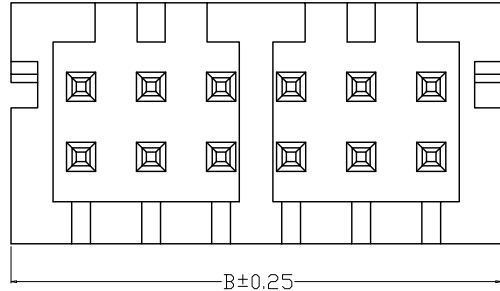


环保物料

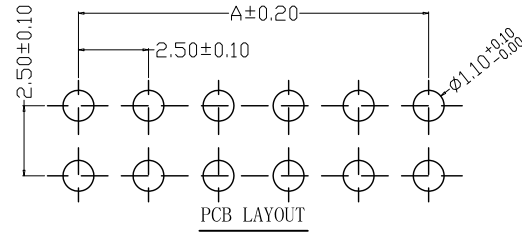
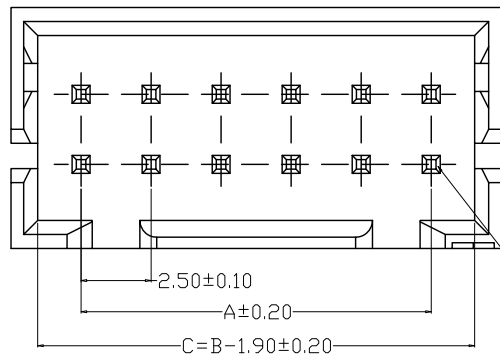
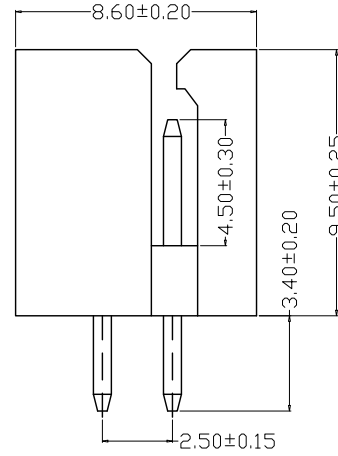
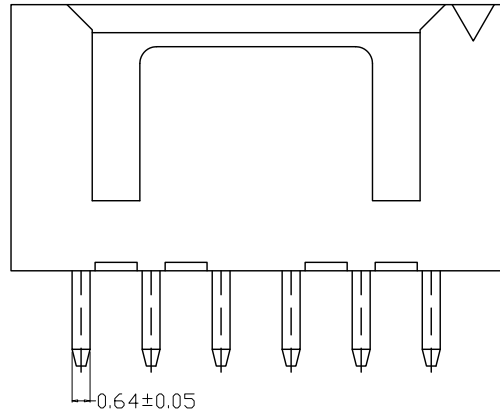
TEL: 0769-82001899



SPECIFICATIONS

- 1.Voltage rating: 250V AC, DC
 - 2.Current rating: 3A, AC, DC
 - 3.Withstanding Voltage: 800V AC/minute
 - 4.Insulation resistance:1000M min
 - 5.Temperature range: -25 ° C-+85 ° C
 - 6.Contact resistance: 30m max
- WAFER

Housing Material: Nylon66 UL 94V0
 Pin Material: Phosphor Bronze or Brass
 Contact Area Plating: Plated Tin or Plated Gold
 Mates with :P2577 series Housing
 Poles:04-40P
 Part No.: M2557V-2xXX-N0



Pin位数

编 号	尺寸 (mm)	
	A	B
2*02	2.50	7.50
2*03	5.00	10.00
2*04	7.50	12.50
2*05	10.00	15.00
2*06	12.50	17.50
2*07	15.00	20.00
2*08	17.50	22.50
2*09	20.00	25.00
2*10	22.50	27.50
2*11	25.00	30.00
2*12	27.50	32.50
2*20	47.50	52.50

				TOLERANCE UNLESS OTHERWISE		DRAWN		CK tan		SHEETI		1/1		
				X. ±0.30 X° ±5°		CHKD		XFCN 兴飞连接器有限公司 XFCN CONNECTORS CO.,LTD.		DATE		2020.04.12		
				.X ±0.20 .X° ±2°		APPD				PRODUCT NAME		2.50mm Crimp Style Connectors		
				.XX ±0.08 .XX° ±1°		VIEW				PART. NO.		SCALE		1:1
				.XXX ±0.03 .XXX° ±0.5°						M2557V-2xXX-N0		DWG. NO.		009
AO	MODIFICATION	DRAW	DATE											

AO

MODIFICATION

DRAW

DATE

XFCN 兴飞连接器有限公司
 XFCN CONNECTORS CO.,LTD.

PRODUCT NAME 2.50mm Crimp Style Connectors

PART. NO. M2557V-2xXX-N0

SHEETI 1/1

DATE 2020.04.12

UNITS mm

SCALE 1:1

DWG. NO. 009