

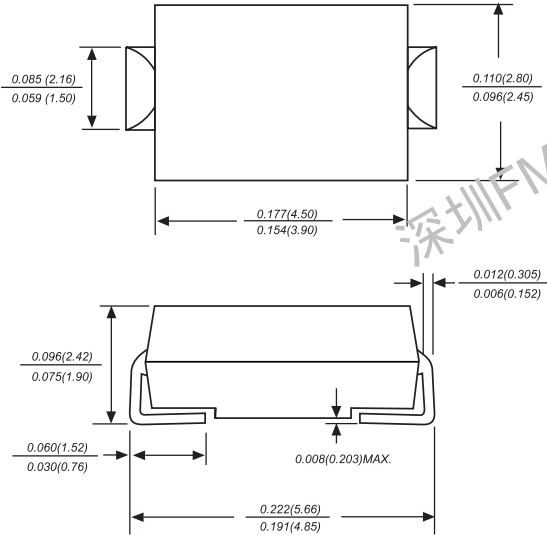
SURFACE MOUNT SCHOTTKY BARRIER RECTIFIER

Formosa MS

SS22 THRU SS210

Reverse Voltage - 20 to 100 Volts Forward Current - 2.0 Amperes

SMA/DO-214AC



Dimensions in inches and (millimeters)

FEATURES

- ◆ The plastic package carries Underwriters Laboratory Flammability Classification 94V-0
- ◆ For surface mounted applications
- ◆ Metal silicon junction, majority carrier conduction
- ◆ Low power loss, high efficiency
- ◆ Built-in strain relief, ideal for automated placement
- ◆ High forward surge current capability
- ◆ High temperature soldering guaranteed: 250°C/10 seconds at terminals

MECHANICAL DATA

Case: JEDEC DO-214AC molded plastic body
Terminals: leads solderable per MIL-STD-750, Method 2026

Polarity: Color band denotes cathode end

Mounting Position: Any

Weight : 0.003 ounce, 0.093 grams

MAXIMUM RATINGS AND ELECTRICAL CHARACTERISTICS

Ratings at 25°C ambient temperature unless otherwise specified.
 Single phase half-wave 60Hz, resistive or inductive load, for capacitive load current derate by 20%.

	SYMBOLS	SS22	SS23	SS24	SS25	SS26	SS28	SS210	UNITS
Maximum repetitive peak reverse voltage	V_{RRM}	20	30	40	50	60	80	100	VOLTS
Maximum RMS voltage	V_{RMS}	14	21	28	35	42	56	70	VOLTS
Maximum DC blocking voltage	V_{DC}	20	30	40	50	60	80	100	VOLTS
Maximum average forward rectified current at T_L (see fig.1)	$I_{(AV)}$	2.0							Amps
Peak forward surge current 8.3ms single half sine-wave superimposed on rated load (JEDEC Method)	I_{FSM}	50.0							Amps
Maximum instantaneous forward voltage at 2.0A	V_F	0.45	0.55	0.70		0.85			Volts
Maximum DC reverse current at rated DC blocking voltage	I_R	0.5							mA
		20			10				
Typical junction capacitance (NOTE 1)	C_J	220			180				pF
Typical thermal resistance (NOTE 2)	R_{qJA}	75.0							°C/W
Operating junction temperature range	T_J	-65 to +125			-65 to +150				°C
Storage temperature range	T_{STG}	-65 to +150							°C

Note: 1. Measured at 1MHz and applied reverse voltage of 4.0V D.C.
 2. P.C.B. mounted with 0.2x0.2" (5.0x5.0mm) copper pad areas



Document ID	Issued Date	Revised Date	Revision	Page.
DS-222645	2008/02/10	2010/03/10	B	2

SURFACE MOUNT SCHOTTKY BARRIER RECTIFIER
RATINGS AND CHARACTERISTIC CURVES SS22 THRU SS210

Formosa MS

