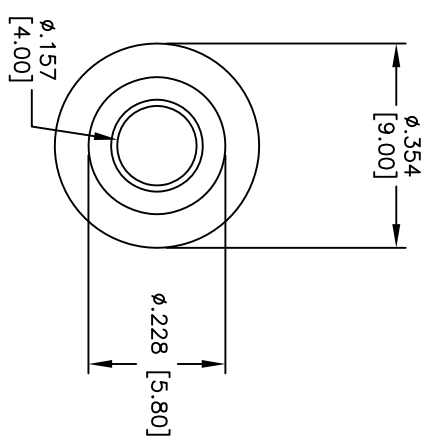
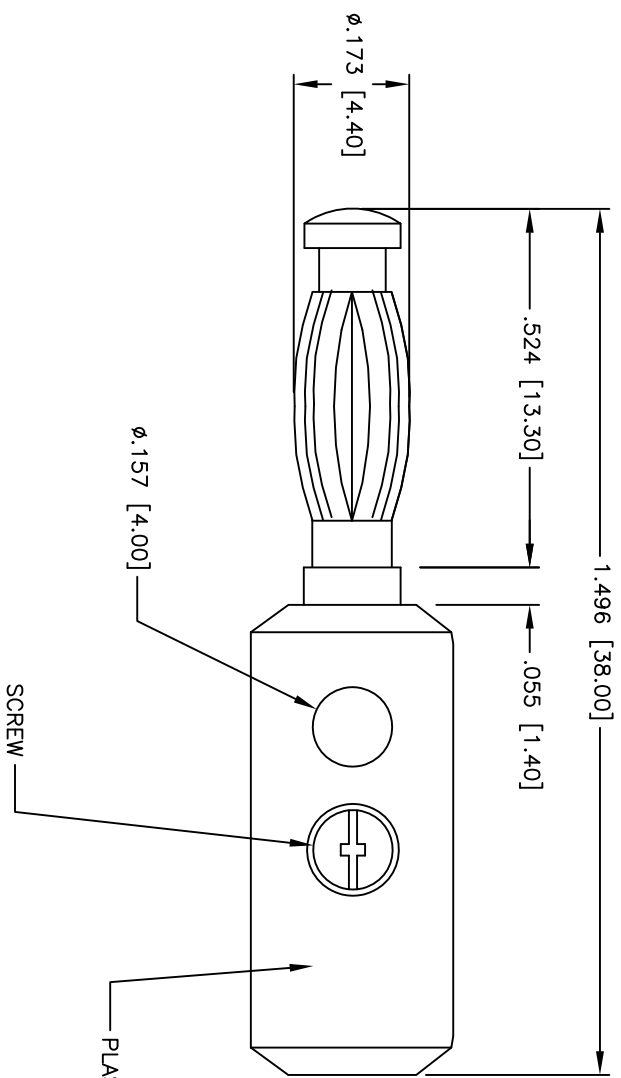


Rev	AWO #	Description	Date	Appr
-		RELEASED	5/03/10	

APPROVED: _____
 DATE: _____ TITLE: _____



SPECIFICATIONS:

Material: Brass, ASTM B16, Alloy C 36000, 1/2 hard
 Plating: Gold flash over Nickel underplate overall
 Environmental: Lead free, RoHS compliant



UNLESS OTHERWISE SPECIFIED ALL DIMENSIONS ARE INCHES [MM]	
TOLERANCES: EXCEPT AS NOTED	
INCHES	HOLES
.X ± .10	Ø.X ± .10
.XX ± .020	Ø.XXX ± .015
.XXX ± .015	Ø.XXX ± .010
APPROVALS	DATE
DRAWN DY	5/03/10
CHECKED	
APPROVED	

ADAM TECH
 909 Rahway Avenue, Union, NJ 07083
 Phone: 908-687-5000 Fax: 908-687-5710

BANANA PLUG

TITLE	SIZE	PART NO.	REV.
BANANA PLUG	X	BP-003	-
REF:	SCALE:	NTS	SHEET 1 OF 1