

PLEASE CHECK WWW.MOLEX.COM FOR LATEST PART INFORMATION

Part Number: [0194190008](#)
Status: **Active**
Overview: [mx150l sealed connector system](#)
Description: MX150L™ 2 Circuit Plug for 18-22 AWG Wire

Documents:

[3D Model](#) [Product Specification PS-19417-001 \(PDF\)](#)
[Drawing \(PDF\)](#) [RoHS Certificate of Compliance \(PDF\)](#)

Agency Certification

CSA LR18689
 UL E152602

General

Product Family Crimp Housings
 Series [19419](#)
 MolexKits Yes
 Overview [mx150l sealed connector system](#)
 Product Literature Order No 987650-2181
 Product Name MX150L™

Physical

Circuits (maximum) 2
 Flammability 94V-0
 Gender Male
 Glow-Wire Compliant No
 Lock to Mating Part Yes
 Number of Rows 1
 Packaging Type Bag
 Panel Mount No
 Pitch - Mating Interface (in) 0.230 In
 Pitch - Mating Interface (mm) 5.84 mm
 Polarized to Mating Part Yes
 Stackable No
 Temperature Range - Operating -40°C to +125°C

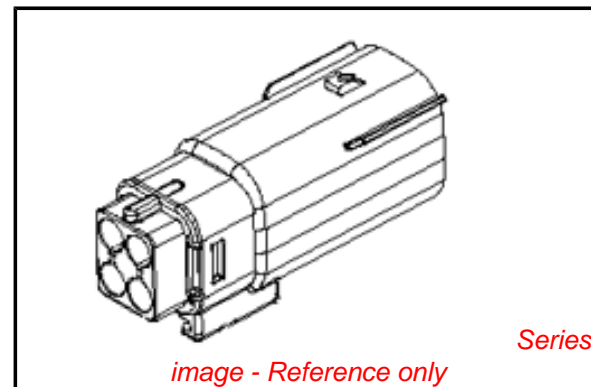
Electrical

Current - Maximum per Contact 18A

Material Info

Reference - Drawing Numbers

Application Specification AS-19417-001
 Packaging Specification PK-19419-001
 Product Specification PS-19417-001
 Sales Drawing SD-19419-002



EU RoHS

**ELV and RoHS
 Compliant**
REACH SVHC
 Not Reviewed
**Halogen-Free
 Status**
Not Reviewed

China RoHS



**Need more information on product
 environmental compliance?**

Email productcompliance@molex.com
 For a multiple part number RoHS Certificate of
 Compliance, [click here](#)

Please visit the [Contact Us](#) section for any
 non-product compliance questions.

Search Parts in this Series

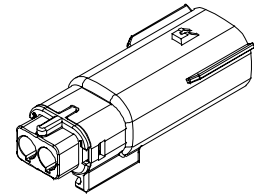
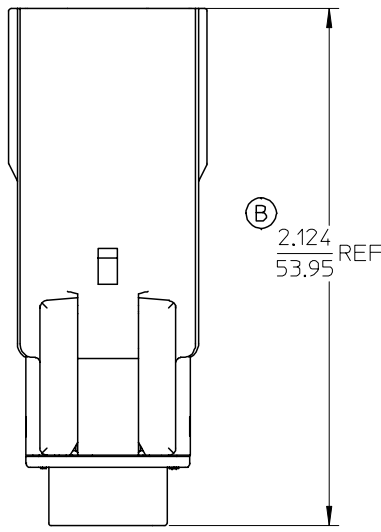
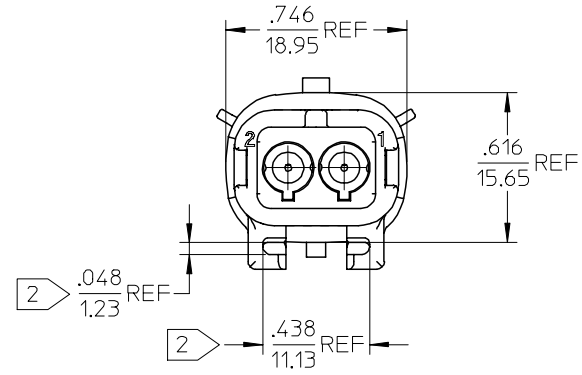
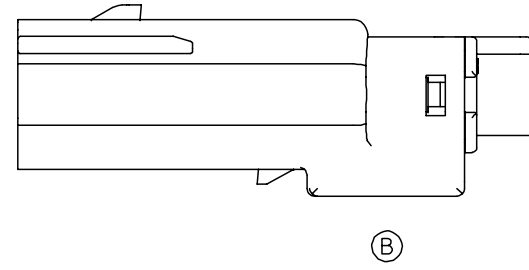
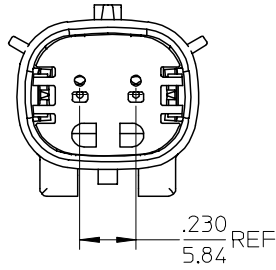
[19419Series](#)

Mates With

[19418 Receptacle Assemblies](#)

Use With

[19417 Male Crimp Terminals](#)



(B) ASSEMBLED VIEW
SCALE 1:1

- NOTES:
- ASSEMBLY BULK PACKAGED PER PK-19419-001.
 - MOUNTING SLOT DIMENSIONS.
 - USE CONNECTOR WITH MALE CRIMP TERMINAL: SERIES 19417.

194190007	2	16-14
194190008	2	22-18
MATERIAL NUMBER	CIRCUIT SIZE	UL WIRE AWG

EC NO: ETC2004-0202 DRWN:DMYRICK 2004/06/03 CHKD:JPAWLIC 2004/06/03 APPR:JPAWLIC 2004/06/03	QUALITY SYMBOLS	GENERAL TOLERANCES (UNLESS SPECIFIED)		SCALE 2:1	DESIGN UNITS INCH	THIRD ANGLE PROJECTION	REVISE ON CAD ONLY	
	DESCRIPTION ▼ = 0 ∇ = 0	4 PLACES	mm	INCH	DIMENSION STYLE IN/MM		TITLE 2 WAY PLUG ASSEMBLY	
		3 PLACES	± ---	± ---	DRAWN BY B.RUPERT	DATE 12/05/02	MATERIAL NO. SEE CHART	
		2 PLACES	± 0.13	± .01	CHECKED BY J.PAWLIC	DATE 12/06/02	DOCUMENT NO. SD-19419-002	SHEET NO. 1 OF 1
	1 PLACE	± 0.25	± ---	APPROVED BY R.DEROSS	DATE 12/06/02	THIS DRAWING CONTAINS INFORMATION THAT IS PROPRIETARY TO MOLEX INCORPORATED AND SHOULD NOT BE USED WITHOUT WRITTEN PERMISSION		
		ANGULAR ±1/2°		DRAFT WHERE APPLICABLE				
		MUST REMAIN WITHIN DIMENSIONS						