



Gas Discharge Tubes

RL1208 Series

Gas Discharge Tubes - RL1208 Series

GDT introduction: Gas discharge tubes (GDT) use noble gasses enclosed in ceramic tubes to provide an alternate circuit path for voltage spikes. The ceramic envelope and with nickel connectors allow for high loads and Ruilon offers products that function at 20KA, 40KA, 50KA, 60KA, 100KA & 150KA. The breakdown voltages of the devices have a wide range (up to 20% tolerance). Major applications are high frequency telecommunication lines, stations, security systems, HID and high quality Surge Protection Devices (SPD).



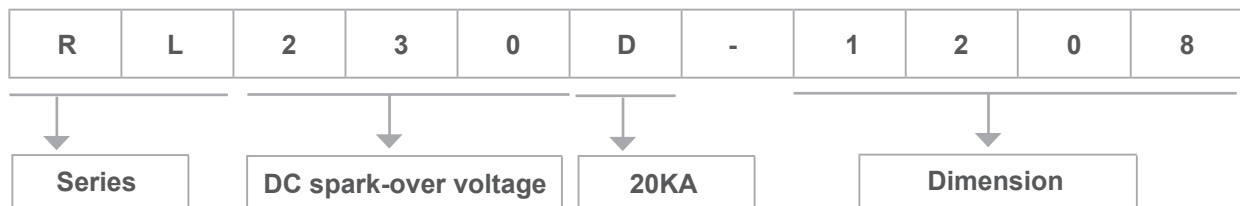
Features

1. RoHS & HF compliant
2. Rugged ceramic-metal construction
3. DC spark-over voltage: 230~800V
4. Low capacitance
5. Agency recognition :UL/cUL
6. Operating temperature : -30°C ~ +85°C Storage temperature: -40°C ~ +115°C

Recommended Applications

1. Power supplier
2. Industrial equipment
3. SPD Module

Part Number Code



Gas Discharge Tubes - RL1208 Series

Electrical Characteristics

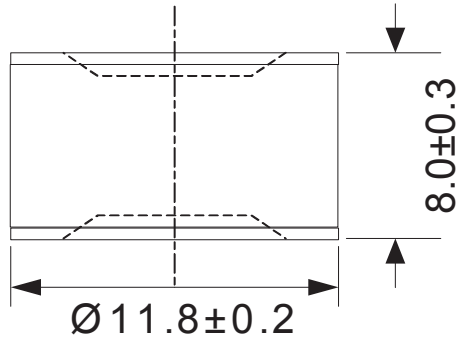
Part No.	DC Spark-over Voltage	Maximum Impulse Breakdown Voltage		Max. Impulse Discharge Current (8/20 μ s)		Impulse Life (10/1000 μ s)	Normal Alternating Discharge Current		DC Holdover Voltage	Minimum Insulation Resistance	Maximum Capacitance (1MHz)
	100V/S	100V/ μ S	1KV/ μ s	1 times	10 times	100 A	50Hz 1Sec	Single 9 Cycles	<150ms		
	(V)	(V)	(V)	(KA)		Times	(A)		(V)		
RL230D-1208	230 \pm 20%	600	700	40	20	400	20	120	135	1	10
RL250D-1208	250 \pm 20%	600	700	40	20	400	20	120	135	1	10
RL300D-1208	300 \pm 20%	700	800	40	20	400	20	120	150	1	10
RL350D-1208	350 \pm 20%	800	900	40	20	400	20	120	150	1	10
RL420D-1208	420 \pm 20%	900	1000	40	20	400	20	120	150	1	10
RL470D-1208	470 \pm 20%	900	1100	40	20	400	20	120	150	1	10
RL600D-1208	600 \pm 20%	1100	1300	40	20	400	20	120	150	1	10
RL700D-1208	700 \pm 20%	1200	1400	40	20	400	20	120	150	1	10
RL800D-1208	800 \pm 20%	1300	1500	40	20	400	20	120	150	1	10

DC Spark-over Voltage	DC Measuring Voltage
230-350V	100V
420-800V	250V

Gas Discharge Tubes - RL1208 Series

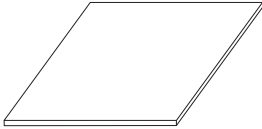
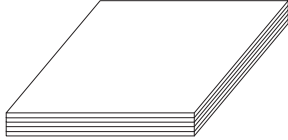
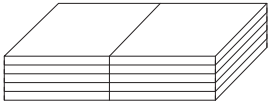
Dimension

Unit:mm



Packaging Bulk

Unit:mm

Plastic Tray (263x143x10mm)	Inner Box (210x225x60mm)	Outside Box (310x280x275mm)
		
60 PCS/ Plastic Tray	180 PCS/ Box	1,800 PCS/ Carton

Warehouse Storage Conditions of Products

- Storage Conditions:
 1. Storage Temperature: $-10^{\circ}\text{C} \sim +40^{\circ}\text{C}$
 2. Relative Humidity: $\leq 75\% \text{RH}$
 3. Keep away from corrosive atmosphere and sunlight.
- Period of Storage: 1 year

RuiLongYuan Electronics Co., Ltd.

- Reproducing and modifying information of the document is prohibited without permission from Ruilongyuan International Inc.
- Ruilongyuan International Inc. reserves the rights to make changes of the content herein the document anytime without notification. Please refer to our website for the latest document.
- Ruilongyuan International Inc. disclaims any and all liability arising out of the application or use of any product including damages incidentally and consequentially occurred.
- Ruilongyuan International Inc. does not assume any and all implied warranties, including warranties of fitness for particular purpose, non-infringement and merchantability.
- Applications shown on the herein document are examples of standard use and operation. Customers are responsible in comprehending the suitable use in particular applications. Ruilongyuan International Inc. makes no representation or warranty that such applications will be suitable for the specified use without further testing or modification.
- The products shown herein are not designed and authorized for equipments requiring high level of reliability or relating to human life and for any applications concerning life-saving or life-sustaining, such as medical instruments, transportation equipment, aerospace machinery et cetera. Customers using or selling these products for use in such applications do so at their own risk and agree to fully indemnify Ruilongyuan International Inc. for any damages resulting from such improper use or sale.

Tel: +86-755-8290 8296

Fax: +86-755-8290 8002

E-mail: jack@ruilon.com