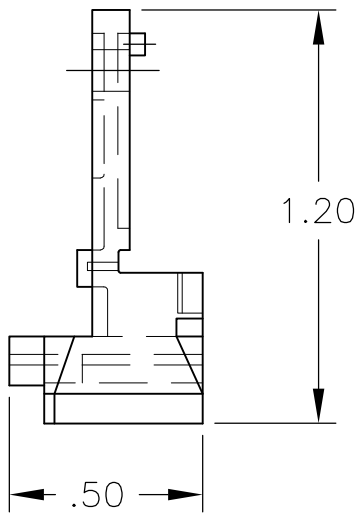
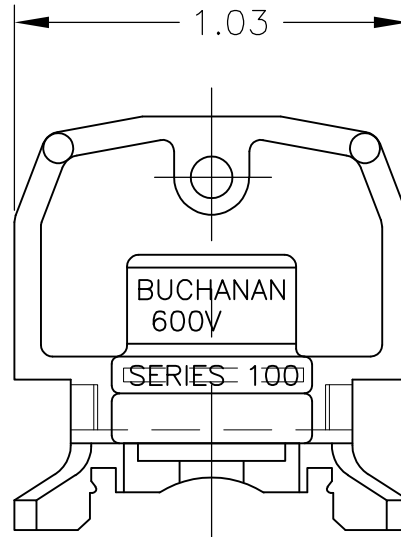
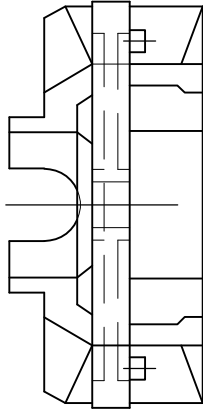


LOC	DIST	REVISIONS				
P	LTR	DESCRIPTION	DATE	DWN	APVD	
	A	REDRAWN PER ECO-08-023052	30SEP08	HMR	SM	



1 MATERIAL: NYLON

THIS DRAWING IS UNPUBLISHED.

ALL INTERNATIONAL RIGHTS RESERVED.

BY TYCO ELECTRONICS CORPORATION.

© COPYRIGHT

DIMENSIONS: INCHES	DWN	30SEP08	MATERIAL	1	FINISH	-
	CHK	30SEP08	Tyco Electronics Corporation Harrisburg, PA 17105-3608			
TOLERANCES UNLESS OTHERWISE SPECIFIED:	APVD	30SEP08				
0 PLC ± -	PRODUCT SPEC	-	NAME END SECTION-600V MINIATURE UNIVERSAL MOUNT			
1 PLC ± -	APPLICATION SPEC	-				
2 PLC ± -	WEIGHT	-	SIZE	A4	CAGE CODE	00779
3 PLC ± -			DRAWING NO	C-2-1437392-1		RESTRICTED TO
4 PLC ± -			CUSTOMER DRAWING			SCALE
ANGLES ± -			2:1			SHEET
			1 OF 1			REV
						A

