

深圳市业展电子有限公司

# 承认书

## SPECIFICATION FOR APPROVAL

客户名称  
Customer Name \_\_\_\_\_  
客户料号  
Customer P/N \_\_\_\_\_  
产品名称  
Product Name Ultra Low Ohm Chip Resistors – YLR-W Series  
制造商料号  
Manufacture P/N \_\_\_\_\_  
申请承认日期  
Apply Date 2019-07-09 版本  
REV. \_\_\_\_\_

供货商属性 代理商 \_\_\_\_\_  制造商 深圳市业展电子有限公司  
Vendor Type Agency Manufacturer

Note: 禁止使用 1 级环境管理物质.遵守 ACBEL"环境管理物质规范"中所要求之含量标准.  
Restrict use of hazardous substances of level 1; Comply with "Specification for Hazardous Substances and Materials Management" of ACBEL

供货商印鉴 Vendor Stamp	APPROVED	CHECKED	PREPARED	承认印鉴 Stamp
			邓小辉	

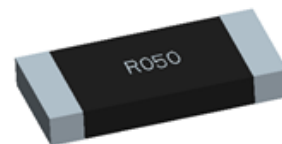
Mainland China: 深圳市业展电子有限公司  
Shenzhen Yezhan Electronics Co., Ltd.  
Add: 深圳市龙华区观澜环观中路荣倡工业园 6-7 栋  
Tel: 0755-26517682 Fax: 0755-29500756

深圳市业展电子有限公司  
Shenzhen Yezhan Electronics Co.,Ltd

# 电流采样晶片电阻 Ultra Low Ohm Chip Resistors

## ★特征 Features

- 阻值范围 Resistance value: 0.25~50mΩ
- 精度 Tolerance: ±1%、±2%、±5%
- 功率 Power: 4w~5w
- 温度系数 Temperature coefficient : ±50ppm/°C ,
- 工作温度范围 Operating temperature range: -65°C~170°C
- 定做特殊规格 Customized special specification size

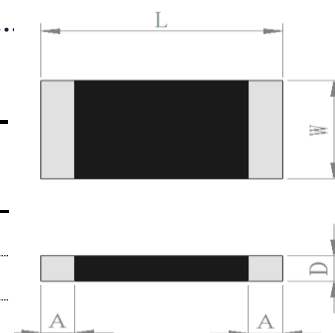


## ★用途 Applications

- 过流保护 Over current protection
- 电流取样 Current sense applications
- 伺服电机控制电路 Servo motor control circuits
- 智能功率模块 Intelligent power modules
- 工业电脑模块及精密测量系统 industrial PC modules and precision measurement system
- 高速 CPU 外围设备中电流检测电路 Current detection circuits in high-speed CPU peripherals

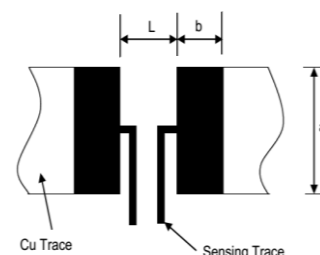
## ★尺寸 Size

Type	L /mm	W /mm	A /mm	D /mm	resistance /mΩ
2725	6.8±0.25	6.5±0.25	1.7±0.15	1.2±0.1	0.25, 0.3, 0.5
			1.0±0.15		1, 2, 3
2728	6.8±0.25	7.2±0.25	1.2±0.15	1.0±0.1	3~50



## ★推荐焊接尺寸 Recommend Solder Pad Dimensions

Type	Resistance /mΩ	Dimensions		
		a/mm	b/mm	L/mm
2725	0.25, 0.3, 0.5	6.9	3	2.2
	1, 2, 3		2.8	3.5
2728	3~50	7.8		



## ★印字标识 Marking

**R050** =50mΩ

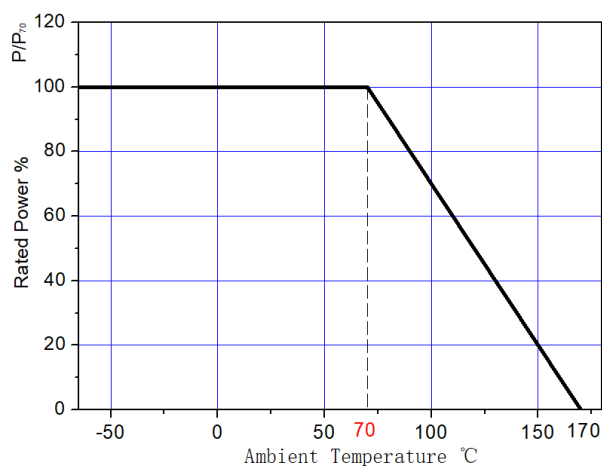
电流采样晶片电阻  
Ultra Low Ohm Chip Resistors

★工作特性 Performance Characteristics

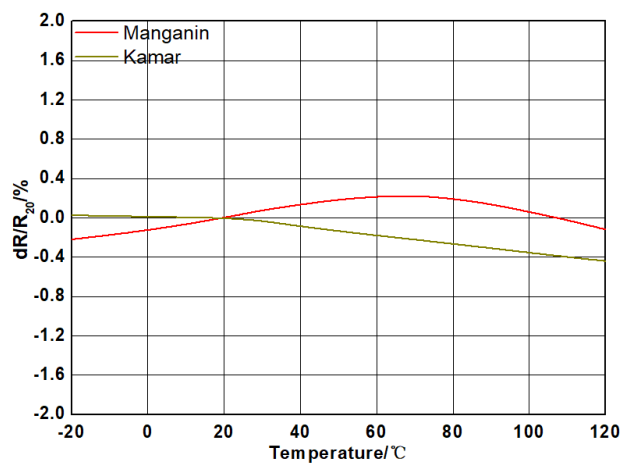
Items	Additional Requirements	Reference	Limits
Temperature Cycling	1000 Cycles(-55°C to +125°C) Measurement at 24±2hours after test conclusion	JESD22 Method JA-104	±0.5%
High Temperature Exposure	1000hrs.@T=125°C.Unpowered. Measurement at 24±2hours after test conclusion	MIL-STD-202 Method 108	±1%
Moisture Resistance	t=24hrs/cycle.Note:Steps 7a & 7b not required. Unpowered. Measurement at 24±2hours after test conclusion	MIL-STD-202 Method 106	±0.5%
Biased Humidity	1000hrs 85°C/85%RH. Note:Specified conditions:10% of operating power. Measurement at 24±2hours after test conclusion	MIL-STD-202 Method 103	±0.5%
Operational Life	Condition D Steady State TA=125°C at rated power. Measurement at 24±2hours after test conclusion	MIL-STD-202 Method 108	±1%
Solderability	245°C±5°C, 5s+0.5s/0	J-STD-002C	95% Coverage Minimum
Vibration	5 g's for 20 min, 12 cycles each of 3 orientations. Note: Use 8"X5" PCB .031" thick 7 secure points on one long side and 2 secure points at corners of opposite sides. Parts mounted within 2" from any secure point. Test from 10-2000 Hz. Measurement at 24±2hours after test conclusion	MIL-STD-202 Method 204	±0.5%
Resistance to Soldering Heat	260°C±5°C, 10s±1s Measurement at 24±2hours after test conclusion	MIL-STD-202 Method 210	±0.5%
Short Time Overload	5×Rated power for 5 s Measurement at 24±2hours after test conclusion	MIL-STD-202 Method 201	±0.5%
Thermal Shock	-55°C/ + 125°C,300 Cycles,Maximum transfer time 20s, Dwell time 15min.	MIL-STD-202 Method 107	±1%

深圳市业展电子有限公司  
Shenzhen Yezhan Electronics Co.,Ltd

★功率曲线 Power Derating Curve



★温度系数曲线 Temperature Coefficient of Resistance Curve



★订购信息 Ordering Date

产品型号 Model



规格型号 Type

28: 2728

额定功率 Rated Power

4:4W

阻值 Resistance

50F: 50mΩ 1%精度

深圳市业展电子有限公司

Shenzhen Yezhan Electronics Co.,Ltd

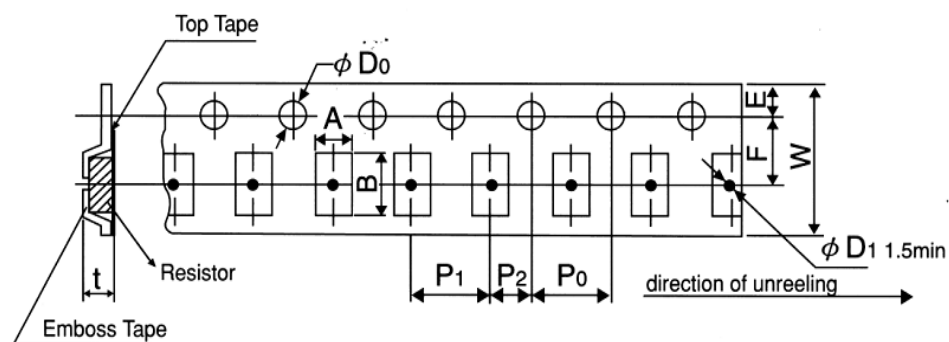
# 电流采样晶片电阻 Ultra Low Ohm Chip Resistors

W: 其他

## ★包装方式 Embossed Plastic Tape Specifications

储藏条件 Storage Conditions: Temperature:5°C~35°C, Humidity:40%~75%

包装数量 Number of Package



Type	A	B	W	F	E	P <sub>1</sub>	P <sub>2</sub>	P <sub>0</sub>	D <sub>0</sub>	t	Quantity
2725	6.8	7.2	12	5.5	1.75	8	2.0	4.0	Φ1.5	1.7	1000
2728	7.7	7.2	12	5.5	1.75	12	2.0	4.0	Φ1.5	1.5	

深圳市业展电子有限公司  
Shenzhen Yezhan Electronics Co.,Ltd