

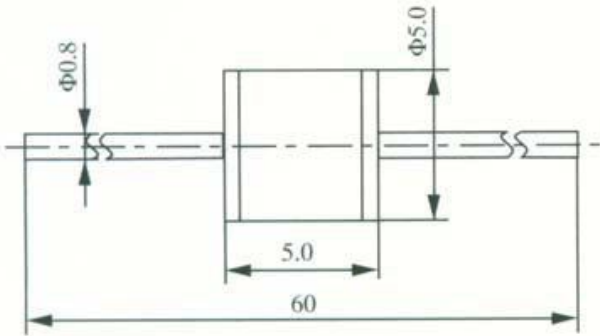


**2-Electrode Gas Discharge Tubes**

**5KA**

1: Dimension(mm)

**Fast Delivery Time**



**2:Main Applications**

- PCI Cards protection
- Telephone/Fax/Modem protection
- single line protection
- ADSL/XDSL Splitter,Power Supply
- Surge Protection Device/Surge Protector

- 100% Lead-Free(RoHS Compliant )
- Non-Radioactive
- Low capacitance ( $\leq 1\text{pF}$ )
- Fast Response-time,High Insulation Resistance.
- Small size :Ø5x5(mm)

**4 Electrical Characteristics**

Part Number	DC Spark-over Voltage @ 100V/S	Impulse Spark-over Voltage @100V/ $\mu\text{s}$	Impulse Spark-over Voltage @1KV/ $\mu\text{s}$	Insulation Resistance	Impulse discharge current(8/20 $\mu\text{s}$ )		AC discharge current (50Hz, 1s, 10ti mes)	Capacitance (1MHz)
	V	V	V		G $\Omega$	10 Times		
HA2R75A	75±20%	<500	<600	>1	5KA	10KA	5	≤1
HA2R90A	90±20%	<500	<600	>1	5KA	10KA	5	≤1
HA2R150A	150±20%	<500	<600	>1	5KA	10KA	5	≤1
HA2R230A	230±20%	<600	<700	>1	5KA	10KA	5	≤1
HA2R250A	250±20%	<600	<700	>1	5KA	10KA	5	≤1
HA2R300A	300±20%	<800	≤ 900	>1	5KA	10KA	5	≤1
HA2R350A	350±20%	<900	≤ 1000	>1	5KA	10KA	5	≤1
HA2R400A	400±20%	<900	≤ 1000	>1	5KA	10KA	5	≤1
HA2R420A	420±20%	<900	≤ 1000	>1	5KA	10KA	5	≤1
HA2R470A	470±20%	<1100	≤ 1200	>1	5KA	10KA	5	≤1
HA2R500A	500±20%	<1100	≤ 1200	>1	5KA	10KA	5	≤1
HA2R600A	600±20%	<1200	≤ 1300	>1	5KA	10KA	5	≤1

**Packing Quantity : 100PCS**

HuaXinAn Electronics

sales@huaandz.com

abc0734@126.com

## Cross Reference List (Ø5x5mm)

HUAAN Gas Discharge Tube Part Number	Cross Reference		
	Littelfuse Gas Discharge Tube Part Number	Bourns Gas Discharge Tube Part Number	TDK EPCOS Surge Arrester Part Number
<b>HA2R75A</b>			<b>M51-A75X B88069X6131C102</b>
<b>HA2R90A</b>	<b>CG590 LTR</b>	<b>2037-09 -B LF</b>	<b>M51-C90XG B88069X5020T103</b>
<b>HA2R150A</b>	<b>CG5150 LTR</b>	<b>2037-15 -B LF</b>	
<b>HA2R230A</b>	<b>CG5230 LTR</b>	<b>2037-23 -B LF</b>	<b>M51-A230X B88069X2930C102</b>
<b>HA2R250A</b>	<b>CG5250 LTR</b>	<b>2037-25 -B LF</b>	
<b>HA2R300A</b>		<b>2037-30 -B LF</b>	
<b>HA2R350A</b>	<b>CG5350 LTR</b>	<b>2037-35 -B LF</b>	<b>M51-A350X B88069X4640C102</b>
<b>HA2R400A</b>	<b>CG5400 LTR</b>	<b>2037-40 -B LF</b>	
<b>HA2R420A</b>		<b>2037-42 -B LF</b>	
<b>HA2R470A</b>		<b>2037-47 -B LF</b>	
<b>HA2R500A</b>			
<b>HA2R600A</b>	<b>CG5600 LTR</b>	<b>2037-60 -B LF</b>	<b>M51-A600X B88069X4590C102</b>

The above trademarks are belonging to the HUAAN LIMITED,Littelfuse .Bourns,TDK / EPCOS.

We do not ensure characteristics of HUAAN products just same as products of Littelfuse or bourns or TDK / EPCOS.