

**PLEASE CHECK WWW.MOLEX.COM FOR LATEST PART INFORMATION**

**Part Number:** [0436450400](#)  
**Status:** **Active**  
**Overview:** [microfit\\_30](#)  
**Description:** 3.00mm (.118") Pitch Micro-Fit 3.0™ Receptacle Housing, Single Row, 4 Circuits

**Documents:**

[3D Model](#) [Product Specification PS-43650 \(PDF\)](#)  
[Drawing \(PDF\)](#) [RoHS Certificate of Compliance \(PDF\)](#)

**Agency Certification**

CSA LR19980  
TUV R72081037  
UL E29179

**General**

Product Family Crimp Housings  
Series [43645](#)  
Comments Glow Wire Equivalent Part Number [436450408](#)  
MolexKits Yes  
Overview [microfit\\_30](#)  
Product Literature Order No USA-106  
Product Name Micro-Fit 3.0™

**Physical**

Circuits (maximum) 4  
Color - Resin Black  
Flammability 94V-0  
Gender Female  
Glow-Wire Compliant No  
Keying to Mating Part None  
Lock to Mating Part Yes  
Material - Resin Polyester  
Number of Rows 1  
Packaging Type Bag  
Panel Mount No  
Pitch - Mating Interface (in) 0.118 In  
Pitch - Mating Interface (mm) 3.00 mm  
Stackable No  
Temperature Range - Operating -40°C to +105°C

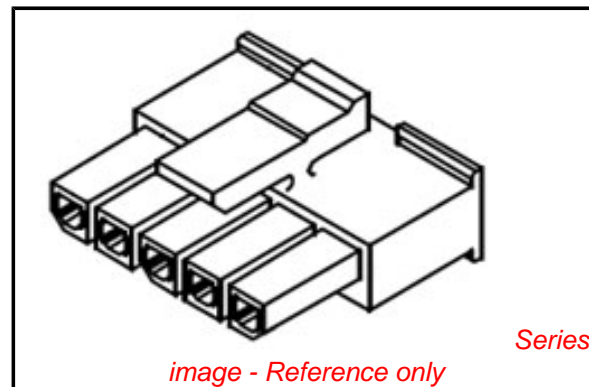
**Electrical**

Current - Maximum per Contact 5A

**Material Info**

**Reference - Drawing Numbers**

Product Specification PS-43650, RPS-43650-011  
Sales Drawing SDA-43645-\*\*\*\*



**EU RoHS**

**ELV and RoHS Compliant**  
**REACH SVHC Contains SVHC: No**  
**Halogen-Free Status**

**China RoHS**



**Need more information on product environmental compliance?**

Email [productcompliance@molex.com](mailto:productcompliance@molex.com)  
For a multiple part number RoHS Certificate of Compliance, [click here](#)

Please visit the [Contact Us](#) section for any non-product compliance questions.

**Search Parts in this Series**

[43645Series](#)

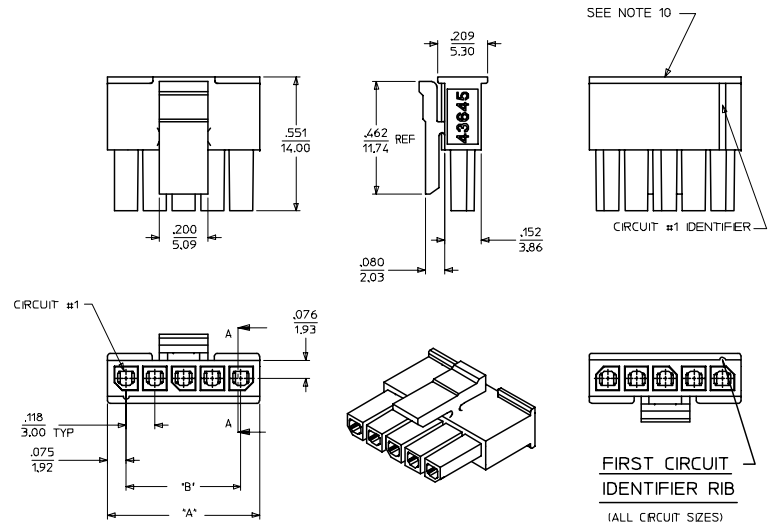
**Mates With**

[43640](#) Micro-Fit 3.0™ Plug Housing, [43650](#) Micro-Fit 3.0™ Header

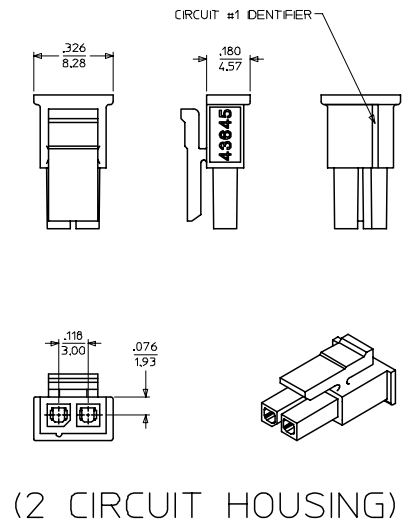
**Use With**

[43030](#) Micro-Fit 3.0™ Crimp Terminal

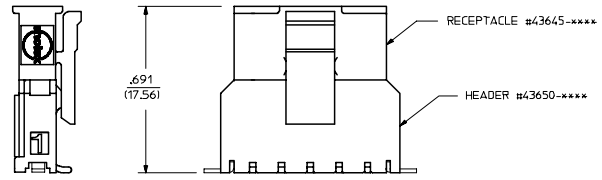
20 19 18 17 16 15 14 13 12 11 10 9 8 7 6 5 4 3 2 1



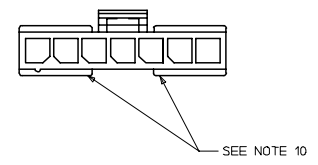
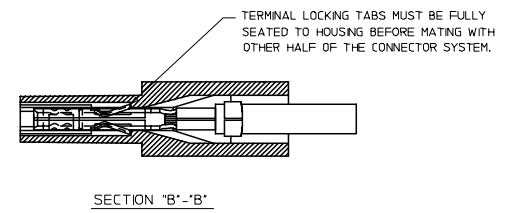
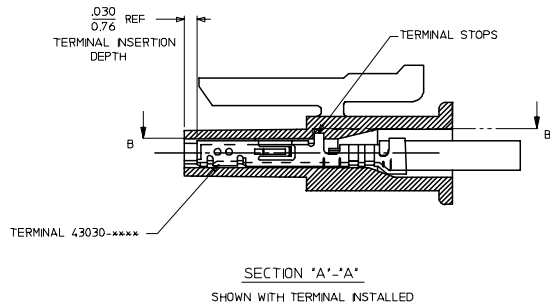
(3-12 CIRCUIT HOUSING)



ITEM NUMBER	NUMBER OF CIRCUIT	DM. 'A'	DM. 'B'
43645-0200	02	SEE DETAIL	.118/(3.00)
43645-0300	03	.388/(9.85)	.236/(6.00)
43645-0400	04	.506/(12.85)	.354/(9.00)
43645-0500	05	.624/(15.85)	.472/(12.00)
43645-0600	06	.742/(18.85)	.591/(15.00)
43645-0700	07	.860/(21.85)	.709/(18.00)
43645-0800	08	.978/(24.85)	.827/(21.00)
43645-0900	09	1.096/(27.85)	.945/(24.00)
43645-1000	10	1.215/(30.85)	1.063/(27.00)
43645-1100	11	1.333/(33.85)	1.181/(30.00)
43645-1200	12	1.451/(36.85)	1.299/(33.00)



MATED MICRO-FIT CONNECTOR



- NOTES:**
- MATERIAL : POLYESTER (PBT), UL94V-0, COLOR - BLACK
  - FINISH : N/A
  - PRODUCT SPECIFICATION : PS-43650
  - THIS RECEPTACLE ACCEPTS MOLEX MICRO FIT FEMALE CRIMP TERMINALS ONLY. SEE MOLEX DRAWING SD-43030-XXXX FOR SPECIFICATIONS.
  - SEE SECTION 'A'-A' FOR TERMINAL ORIENTATION IN HOUSING.
  - FOR OVERMOLDING PARAMETERS SEE ENGINEERING SPECIFICATION #SDES-43025-1000.
  - THIS RECEPTACLE MATES WITH MOLEX PCB HEADER 43650 SERIES AND MOLEX PLUG 43640 SERIES (WIRE TO WIRE APPLICATIONS).
  - SOME HOUSINGS MAY HAVE A SMALL GATE BLEMISH NEAR THE GATE LOCATION THAT DOES NOT AFFECT FUNCTIONALITY.
  - MOLEX RECOMMENDS THE USE OF MICRO-FIT TEST PLUG, SERIES 44242-XXXX WHENEVER CONTINUITY TESTING IS PERFORMED. TEST PLUGS MUST NOT BE USED TO MAKE OR BREAK UNDER LOAD. MOLEX DOES NOT RECOMMEND USING STANDARD MATING COMPONENTS FOR HARNESS TESTING PURPOSES.
  - THIS RIB IS DISCONTINUOUS ON CIRCUIT SIZES 7 THROUGH 12.
  - PART CONFORMS TO CLASS 'B' REQUIREMENTS OF COSMETIC SPECIFICATION PS-45499-002.

<b>UPDATE NOTE 8</b> DEC NO. UCP2008-0920 DRAWN BY: J.P.P. 2007/10/23 CHKD BY: S.M.S. 2007/10/26 APPR'D BY: S.M.S. 2007/10/29	QUALITY SYMBOLS ▽=0 ▽=0	GENERAL TOLERANCES (UNLESS SPECIFIED)		DIMENSION STYLE IN/MM		SCALE 4:1	DESIGN UNITS METRIC	THIRD ANGLE PROJECTION		
		4 PLACES ± .010 3 PLACES ± .014 2 PLACES ± .025 1 PLACE ± 0.35 ± .014	± .010 ± .014 ± .025 ± .014	DRAWN BY: A.F.G. DATE: 1995/11/15 CHECKED BY: B.A.P. DATE: 1995/11/15 APPROVED BY: R.J.F. DATE: 1995/11/15	TITLE: MICRO-FIT (3.0) 2 THRU 12 SINGLE ROW RECEPTACLE					
		DRAFT WHERE APPLICABLE MUST REMAIN WITHIN DIMENSIONS		SEE CHART		MOLEX INCORPORATED		DOCUMENT NO. SDA-43645-XXXX		SHEET NO. 1 OF 1
		THIS DRAWING CONTAINS INFORMATION THAT IS PROPRIETARY TO MOLEX INCORPORATED AND SHOULD NOT BE USED WITHOUT WRITTEN PERMISSION								