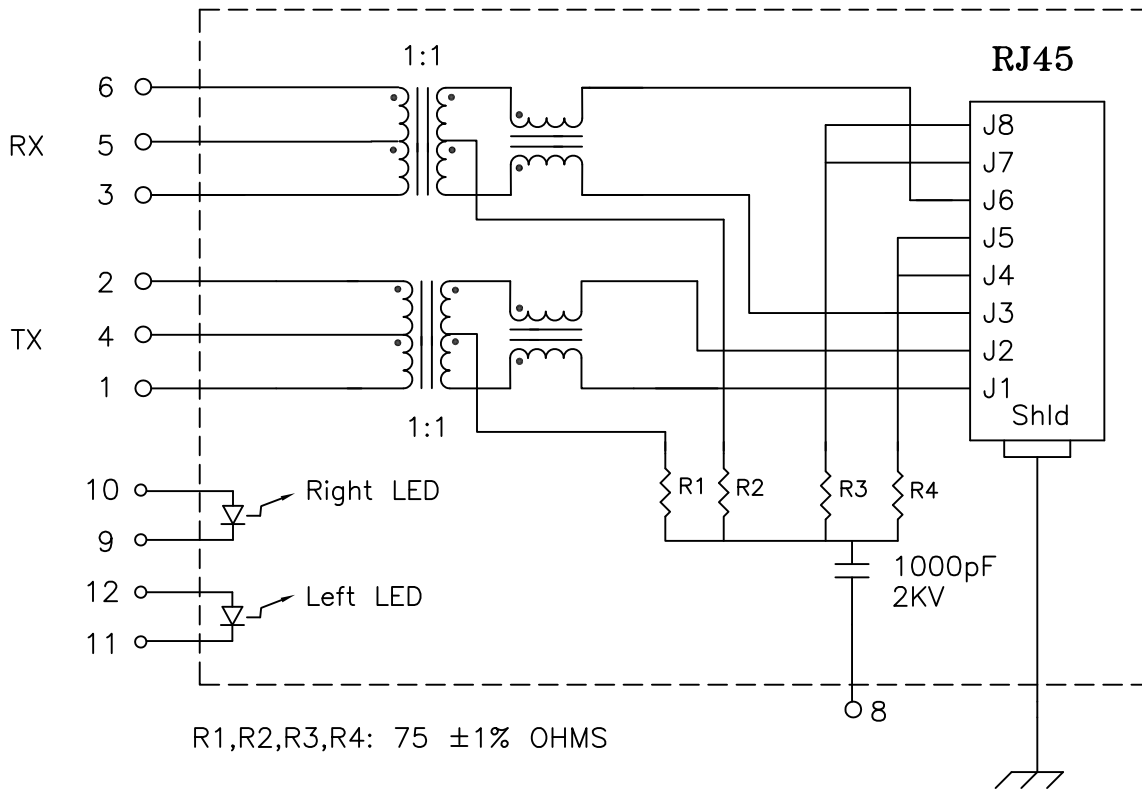


Schematic:



Electrical Specifications: @25°C

Isolation Voltage: 1500 Vac

Isolation Voltage: 500 Vac (1+2+4-3+5+6)

UTP SIDE OCL: 350uH Min @100KHz 100mV 8mADC

Insertion Loss (300KHz-100MHz): -1.0dB Max

Return Loss:	1-10MHz	10-30MHz	30-60MHz	60-80MHz	
	-20dB	-16dB	-12dB	-10dB	MIN

Crosstalk:	1-30MHz	30-60MHz	60-100MHz	
	-40dB	-35dB	-30dB	MIN

Common Mode to Differential Mode Rejection:
 -30dB MIN @1-50MHz / -20dB MIN @50-150MHz

Q: 18 Min @100KHZ 0.1V

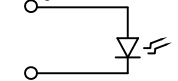
Complete the Combo P/N as follows:

Replace 'x' & 'u' in the part number with one of the LED color letters:

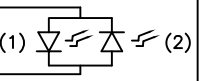
Y=Yellow 'x' = Left LED Color
 G=Green 'u' = Right LED Color
 A=Amber
 R=Red

C=Green(1)/Amber(2) Bicolor
 D=Amber(1)/Green(2) Bicolor
 M=Green(1)/Yellow(2) Bicolor
 N=Yellow(1)/Green(2) Bicolor
 P=Red(1)/Green(2) Bicolor
 Q=Green(1)/Red(2) Bicolor
 E=Red(1)/Yellow(2) Bicolor
 F=Yellow(1)/Red(2) Bicolor
 H=Amber(1)/Yellow(2) Bicolor
 J=Green(1)/Green(2) Bicolor

Single Color LED:



Bi-Color LED:



Notes:

- Solderability: Leads shall meet MIL-STD-202G, Method 208H for solderability.
- Flammability: UL94V-0
- ASTM oxygen index: > 28%
- Insulation System: Class F 155°C. UL file E151556
- Operating Temperature Range: All listed parameters are to be within tolerance from -40°C to +85°C
- Storage Temperature Range: -55°C to +125°C
- Aqueous wash compatible
- Electrical and mechanical specifications 100% tested
- RoHS Compliant Component

DOC REV: B/2

XFMRs Inc
www.XFMRs.com

Title:

Stacked USB COMBO

UNLESS OTHERWISE SPECIFIED

P/N: XFATM2RA-USBxu-2

REV. B

TOLERANCES:
.xxx ±0.010

DWN.

Yuan

Jun-13-13

Dimensions in Inch

CHK.

YK Liao

Jun-13-13

SHEET 1 OF 3

APP.

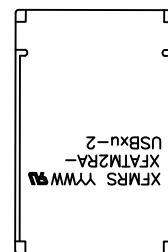
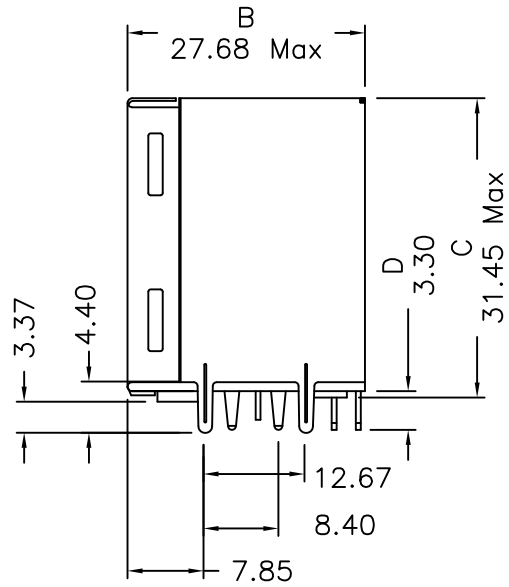
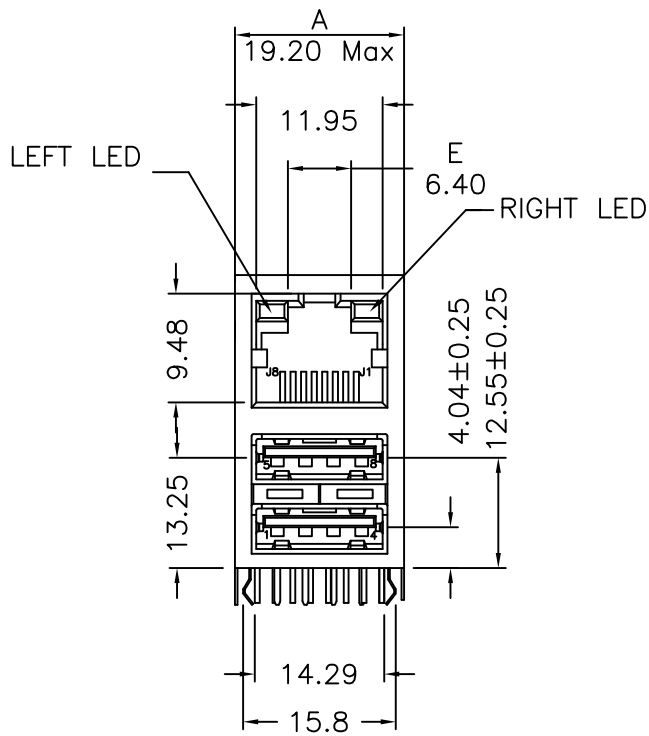
BW

Jun-13-13

PROPRIETARY

Document is the property of XFMRs Group & is not allowed to be duplicated without authorization.

Mechanical Dimensions:



TOP VIEW

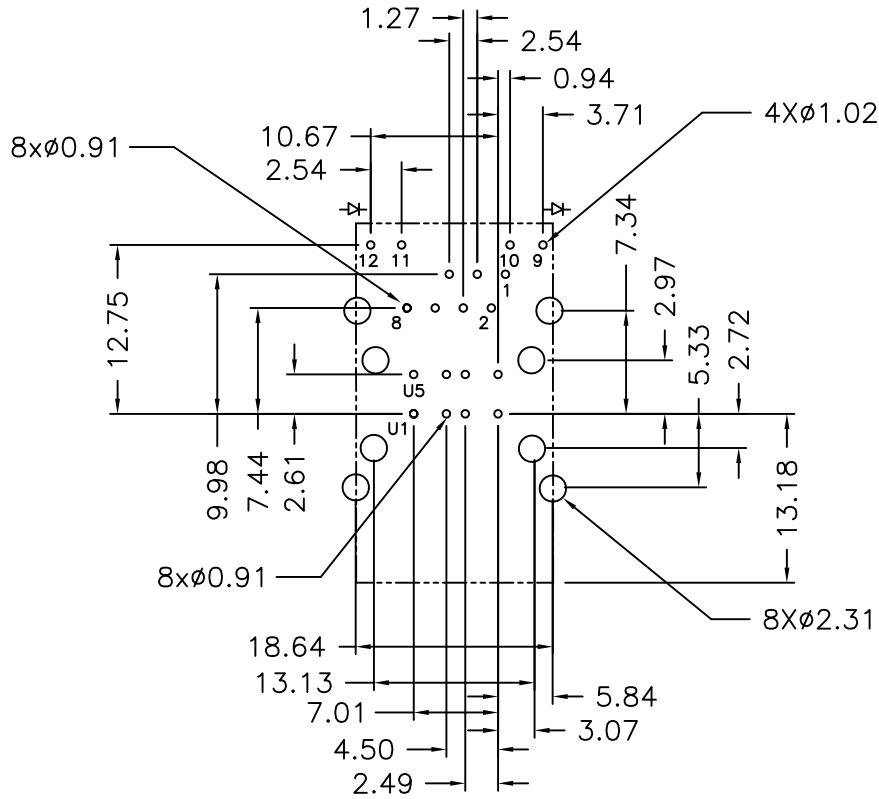
DOC. REV. B/2

PROPRIETARY:

Document is the property of XFMRS Group & is not allowed to be duplicated without authorization.

XFMRS Inc. www.XFMRS.com	Title: Mechanical Dimensions For STACKED USB COMBO	
	P/N: XFATM2RA-USBxu-2	REV. B
UNLESS OTHERWISE SPECIFIED TOLERANCES: .x ±0.25 Dimensions in MM	DWN.	Yuan
	CHK.	YK Liao
	APP.	BW
SHEET 2 OF 3		Jun-13-13
		Jun-13-13
		Jun-13-13

3. Mechanical Dimensions (cont.):



SUGGESTED PC BOARD LAYOUT VIEW
FROM COMPONENT SIDE

*Remove Pin#7

DOC. REV. B/2

PROPRIETARY:

Document is the property of XFMRs Group & is not allowed to be duplicated without authorization.

XFMRs Inc. www.XFMRs.com	Title: Mechanical Dimensions For STACKED USB COMBO		
	UNLESS OTHERWISE SPECIFIED TOLERANCES: .xxx ±0.25 Dimensions in MM	P/N: XFATM2RA-USBxu-2	REV. B
	DWN.	Yuan	Jun-13-13
	CHK.	YK Liao	Jun-13-13
SHEET 3 OF 3	APP.	BW	Jun-13-13