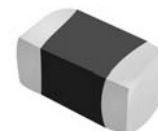


SMD Multilayer Chip Power Inductor

ASMPH-1008



RoHS/RoHS II Compliant



2.5 x 2.0 x 0.9mm

FEATURES:

- High DC bias current due to trench technology
- Much lower profile than any other series
- Monolithic structure for high reliability
- Excellent solderability and heat resistance
- Magnetically shielded structure to eliminate cross coupling

APPLICATIONS:

ASMPH family is a miniature type of multilayer power inductors constructed using low loss ferrite material to support high-speed switching frequencies. The compact size and high efficiency is ideal for DC/DC converter applications in space limited boards.

- Switching mode regulators for smart phones and cameras.
- Buck converters for RFIC, RFPA and Audio Codec modules.
- Boost converters for flash drivers.
- Wireless cards, DVD players and other electronic devices.

ELECTRICAL SPECIFICATIONS:

Operating Temperature: -40°C to +85°C

Storage Temperature: -10°C to +40°C and RH 70% (Max.)

Part Number ASMPH-1008- Inductance Code	Inductance	Tolerance	DCR	SRF Min.	Temperature Rise Current (max)	Saturation Current (Typ)
Units	μH	%	Ω ± 25%	MHz	mA	mA
Symbol	L	M=±20% N=±30%	DCR	SRF	I _{rms}	I _{sat}
ASMPH-1008-R47	0.47	M, N	0.04	105	1800	1500
ASMPH-1008-1R0	1.0	M, N	0.06	70	1600	1400
ASMPH-1008-1R5	1.5	M, N	0.07	65	1500	1200
ASMPH-1008-2R2	2.2	M, N	0.08	55	1300	850
ASMPH-1008-3R3	3.3	M, N	0.10	30	1200	450
ASMPH-1008-4R7	4.7	M, N	0.11	25	1100	320

Unless otherwise specified, the standard atmospheric conditions for measurement/test as:

- Ambient Temperature: 20±15°C
- Relative Humidity: 65±20%
- Air Pressure: 86 kPa to 106 kPa

Inductance (L): HP4291B+HP16192A or Equivalent, tested at 1MHz, -20dBm or 50mV.

Direct Current Resistance (DCR): Milliohmeter-HP4338B or Equivalent

Self-Resonant Frequency (SRF): HP4291B+HP16192A or Equivalent, -20dBm or 50mV.

Temperature Rise current (I_{rms}): Electric Power, Electric current meter, Thermometer.

I_{rms} is the value of DC current as chip surface temperature rose just 40°C against chip initial surface temperature.

Saturation Current (I_{sat}): HP6632B system DC power supply, HP4291B+HP16192A+HP16200A or equivalent.

I_{sat} is the value of DC current as inductance decreased just 30% against initial value



SMD Multilayer Chip Power Inductor



2.5 x 2.0 x 0.9mm

ASMPH-1008

RoHS/RoHS II Compliant

PART IDENTIFICATIONS:

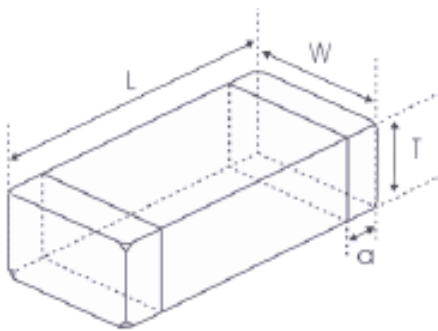
ASMPH-1008- - -

Inductance Code
Please refer to the table above

Tolerance
M=±20%
N=±30%

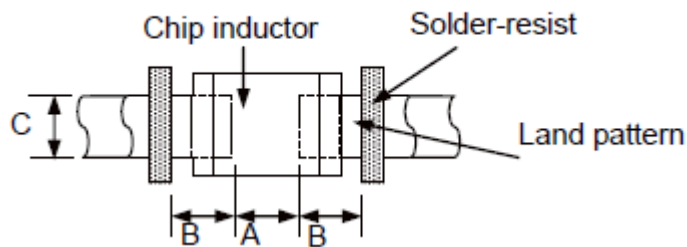
Packaging
T: Tape and Reel (3kpcs / reel)

OUTLINE DRAWING:



L	W	T	a
2.5±0.2	2.0(+0.3, -0.1)	0.9±0.1	0.5±0.3

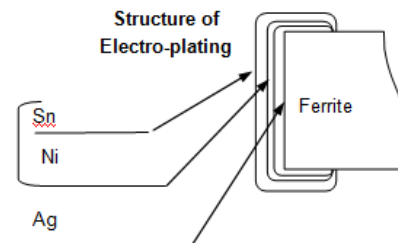
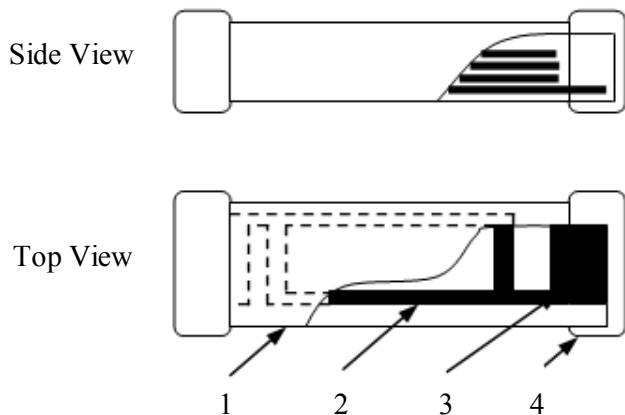
Recommended Land Pattern



A	B	C
1.0~1.4	0.6~1.0	1.8~2.2

Dimension: mm

MATERIALS:



	Part Name	Material
1	Base Material	Ferrite
2	Internal Conductor	Ag
3	Pull out Electrode	Ag
4	Terminal Electrode	Ag (Inner layer) Ni-Sn (Outer layer)

SMD Multilayer Chip Power Inductor



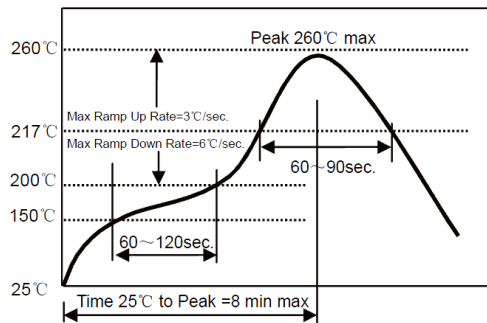
2.5 x 2.0 x 0.9mm

ASMPH-1008



RoHS/RoHS II Compliant

REFLOW PROFILE:

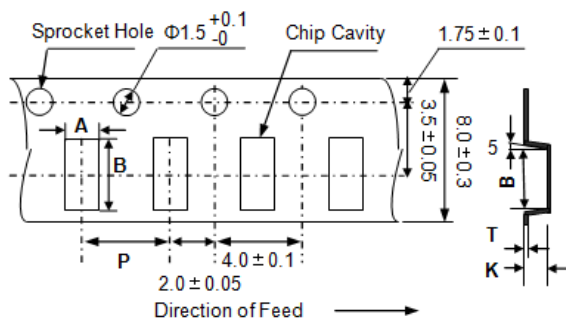


Preheat Condition	150 to 200 °C; 60 to 120 sec.
Allowed time above 217 °C	60 to 90 sec.
Max temperature	260 °C
Max time at max temperature	10 sec.
Solder paste	Sn/3.0Ag/0.5Cu
Allowed Reflow time	2x max.

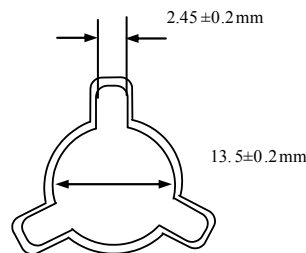
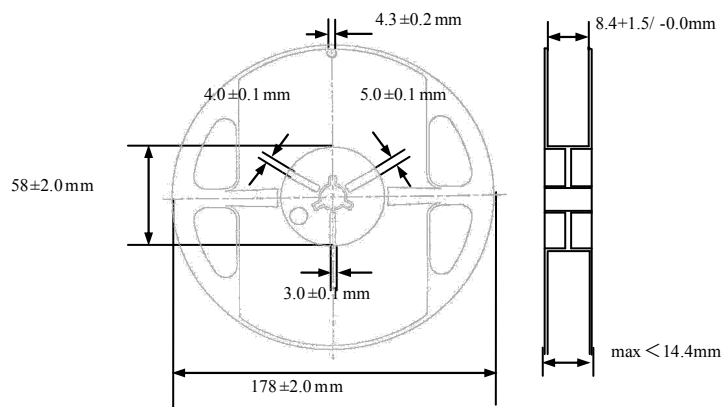
TAPE & REEL:

Packing

T: 3,000pcs / reel



A	B	P	K max	T max
2.30±0.1	2.80±0.1	4.0±0.1	1.45	0.3



Dimension: mm

ATTENTION: Abracon Corporation's products are COTS – Commercial-Off-The-Shelf products; suitable for Commercial, Industrial and, where designated, Automotive Applications. Abracon's products are not specifically designed for Military, Aviation, Aerospace, Life-dependant Medical applications or any application requiring high reliability where component failure could result in loss of life and/or property. For applications requiring high reliability and/or presenting an extreme operating environment, written consent and authorization from Abracon Corporation is required. Please contact Abracon Corporation for more information.

ABRACON IS
ISO 9001:2008
CERTIFIED



ABRACON
CORPORATION

Visit www.abracon.com for Terms & Conditions of Sale **Revised: 02.12.13**
30332 Esperanza, Rancho Santa Margarita, California 9268
tel 949-546-8000 | fax 949-546-8001 | www.abracon.com