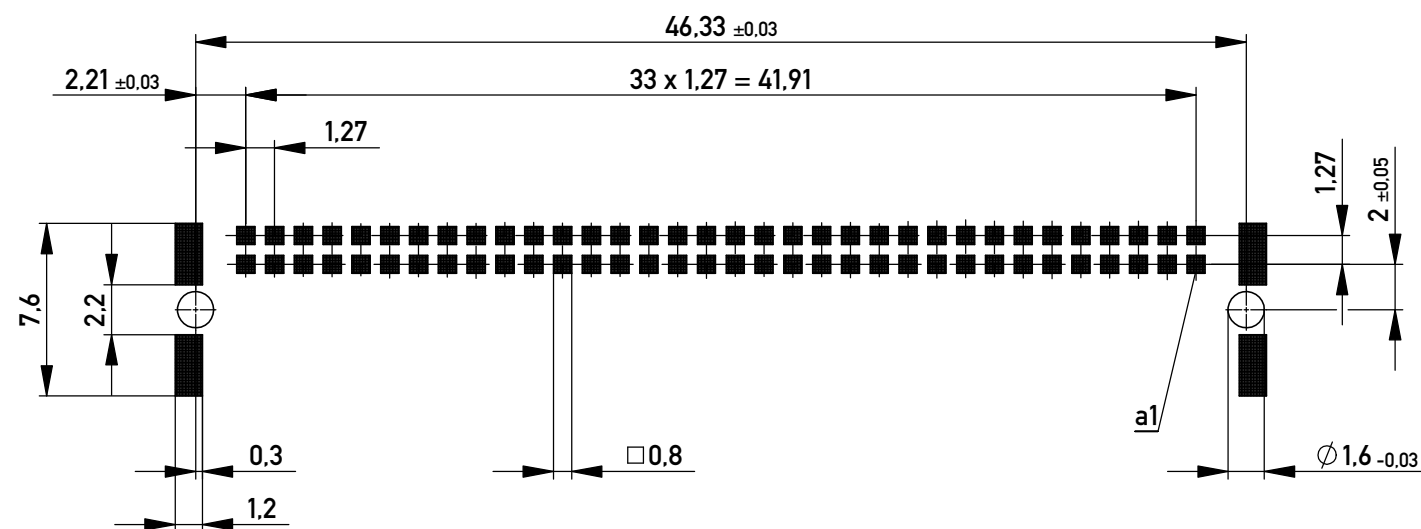
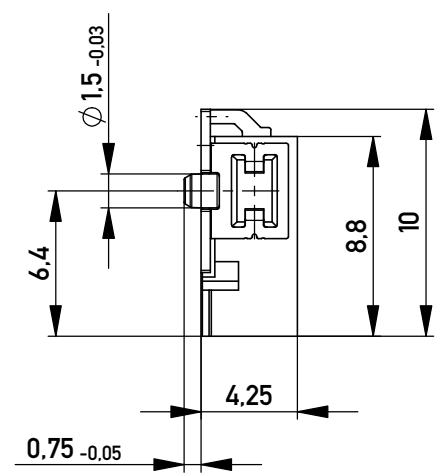
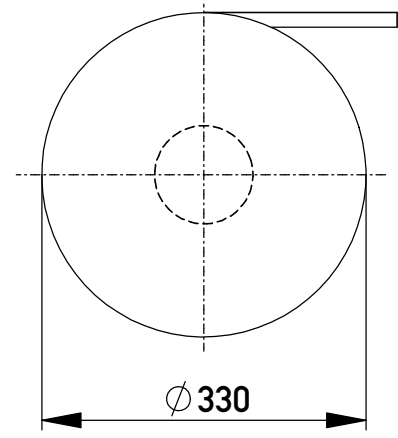


**Leiterplatten-Layout Vorschlag für SMT**  
*PCB-Layout Proposal for SMT*

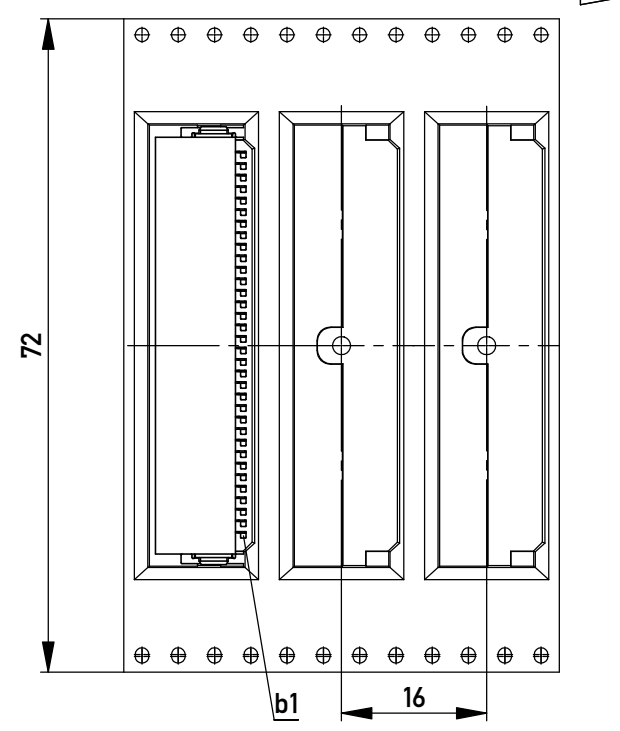


- Anforderungsstufe 1  
*Performance Level 1*
- Kontaktbereich vergoldet  
*Mating Area gold plating*
- Anschlussbereich verzinkt 4-6 µm  
*Terminal Area 4-6 µm tin plating*
- Koplanarität der Anschlüsse ≤ 0,1 mm  
*Coplanarity Area of Termination ≤ 0,1 mm*

Verpackt im Gurt in Anlehnung an DIN IEC 60286-3  
*tape on reel packaging according to DIN IEC 60286-3*  
Verpackungseinheit: 560 Stück  
*packaging unit: 560 pcs*



**Abspulrichtung - Reel off Direction**



BA7-03 - Standard Bauhöhe  
*type7-03 - Standard Assembly Height*

Information:		Tolerances	 All Dimensions in mm	Scale	3:1	
All rights reserved. Only for Information. To ensure that this is the latest version of this drawing, please contact one of the ERNI companies before using.		Subject to modification without prior notice. Drawing will not be updated.		Designation		
 www.ERNI.com		 www.ERNI.com		<b>Messerrl. SMC-B 68-SMD-BA7-03</b> <b>Male SMC-B 68-SMD-type7-03</b>		
e	29.08.2016			<b>100103210167</b>		
Index	Date			Class SMCB		
				K A3		

Copyright by ERNI Production GmbH & Co. KG  
Proprietary notice pursuant to ISO 16016 to be observed.