

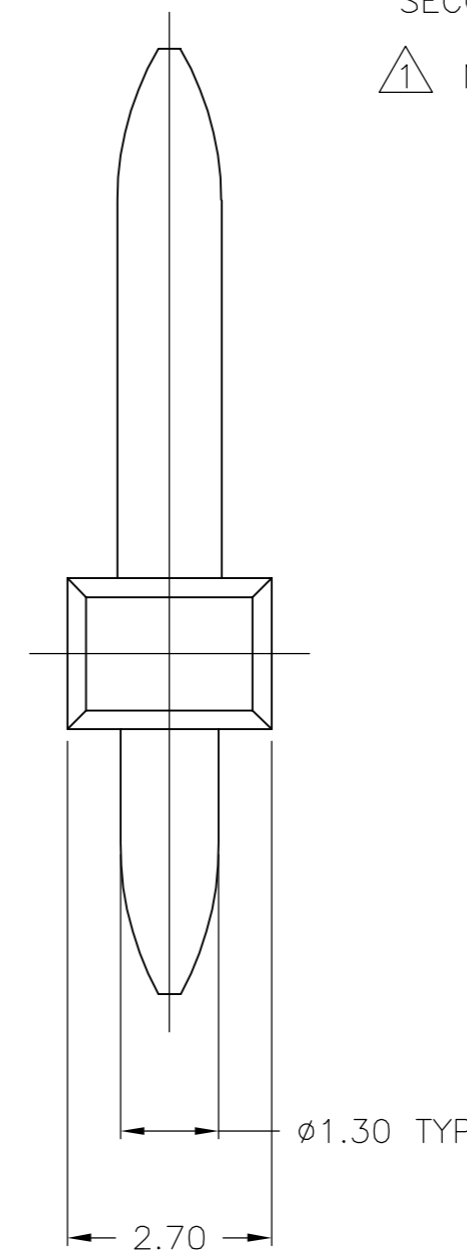
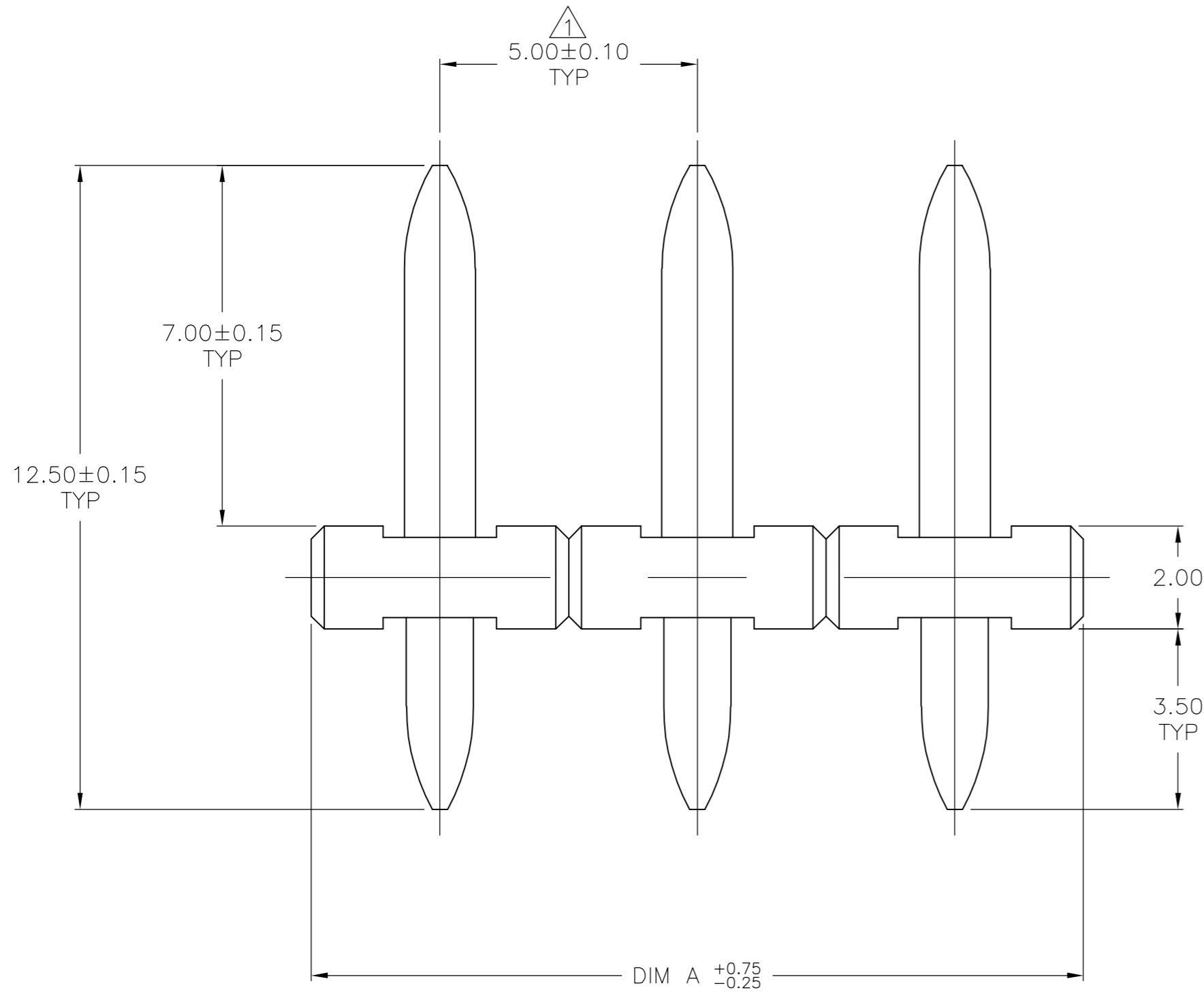
THIS DRAWING IS UNPUBLISHED. RELEASED FOR PUBLICATION  
 © COPYRIGHT BY TYCO ELECTRONICS CORPORATION. ALL RIGHTS RESERVED.

Loc		DIST		REVISIONS			
P	LTR	DESCRIPTION		DATE	DWN	APVD	
FT	0	02		REVISED PER ECO-06-13868	6/23/06	SS	CR

- 1-1. MATERIAL:
  - 1-1-1. PINS: BRASS, NICKEL AND TIN PLATED.
  - 1-1-2. INSULATOR BODY: NYLON 6.6, UL94V-0 (STRIP ONLY)(COLOR BLUE)
- 1-2. ELECTRICAL:
  - 1-2-1. CURRENT RATING: 10 AMPS/WAY MAX.
  - 1-2-2. WITHSTANDING VOLTAGE: 1500 VAC/MIN  
TEST TIME=60 SEC/1PC
  - 1-2-3/ INSULATION RESISTANCE: 5000Mohm /1000V
- 1-3. MECHANICAL:
  - 1-3-1. CONTACT RETENTION FORCE: 3 KG/CM (MIN).
  - 1-3-2. OPERATING TEMPERATURE: -55°C TO +105°C.
  - 1-3-3. SOLDERABILITY: 95% COVERAGE (MIN)  
TEST TEMPERATURE= 230°C±10°C  
TEST TIME= 3SEC ± 0.5SEC.

PARTS TO BE WAVE SOLDER PROCESS CAPABLE UP TO 265°C FOR 10 SECONDS MAX.

△ NON CUMULATIVE.



120.00(4.724)	24	2-1776489-4
115.00(4.528)	23	2-1776489-3
110.00(4.331)	22	2-1776489-2
105.00(4.134)	21	2-1776489-1
100.00(3.937)	20	2-1776489-0
95.00(3.740)	19	1-1776489-9
90.00(3.543)	18	1-1776489-8
85.00(3.346)	17	1-1776489-7
80.00(3.150)	16	1-1776489-6
75.00(2.953)	15	1-1776489-5
70.00(2.756)	14	1-1776489-4
65.00(2.559)	13	1-1776489-3
60.0(2.362)	12	1-1776489-2
55.00(2.165)	11	1-1776489-1
50.00(1.969)	10	1-1776489-0
45.00(1.772)	9	1776489-9
40.00(1.575)	8	1776489-8
35.00(1.378)	7	1776489-7
30.00(1.181)	6	1776489-6
25.00(.984)	5	1776489-5
20.00(.787)	4	1776489-4
15.00(.591)	3	1776489-3
10.00(.394)	2	1776489-2
DIM A	NO. OF POSN	PART NUMBER

THIS DRAWING IS A CONTROLLED DOCUMENT.		DWN	S SCHLEGEL	5/2/05	Tyco Electronics Corporation Harrisburg, PA 17105-3608								
DIMENSIONS: mm		CHK	C RICHARD	5/2/05									
TOLERANCES UNLESS OTHERWISE SPECIFIED:		APVD	C RICHARD	5/2/05									
0 PLC ± - 1 PLC ± 0.3 2 PLC ± 0.25 3 PLC ± - 4 PLC ± - ANGLES ± - FINISH -		PRODUCT SPEC	-	NAME		HEADER, STRAIGHT, UNSHROUDED 5.0MM PITCH HIGH TEMP							
MATERIAL	-	APPLICATION SPEC	-	WEIGHT	-	SIZE	A2	CAGE CODE	00779	DRAWING NO	C=1776489	RESTRICTED TO	-
CUSTOMER DRAWING		SCALE		5:1	SHEET		1 of 1	REV		02			