

General Description

KR Electronics part number 2855-SMA is a 725 MHz linear phase bandpass filter. The filter has a min 3 dB bandwidth of 350 MHz. Other center frequencies and bandwidths are available. Please consult the factory.

Features

- 725 MHz Bandpass Filter
- Minimum 3 dB Bandwidth 350 MHz
- Maximum 40 dB Bandwidth 500 MHz
- 50 Ω Source and Load
- SMA Connectors Surface Mount Also Available

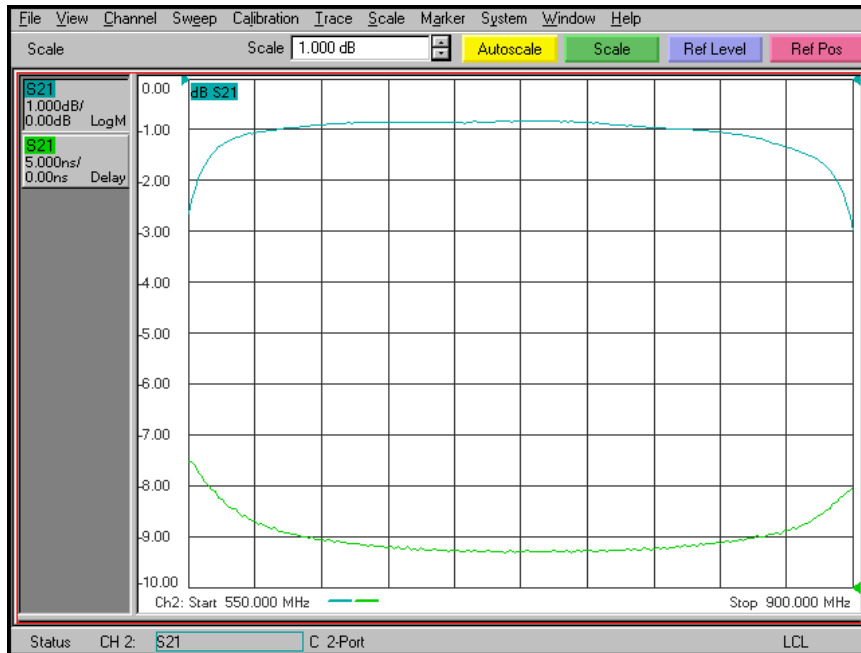
Typical Performance

Overall Response (10 dB/div)

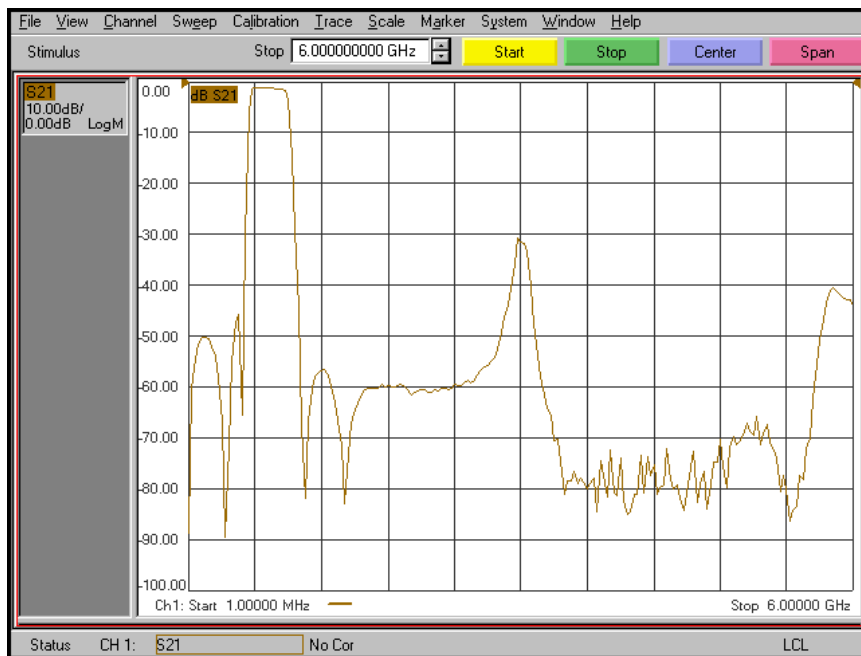


Typical Performance

Passband Amplitude & Group Delay (1 dB/div & 5 nsec/div)



Overall Response (10 dB/div)



KR Electronics, Inc.
91 Avenel Street
Avenel, NJ 07001

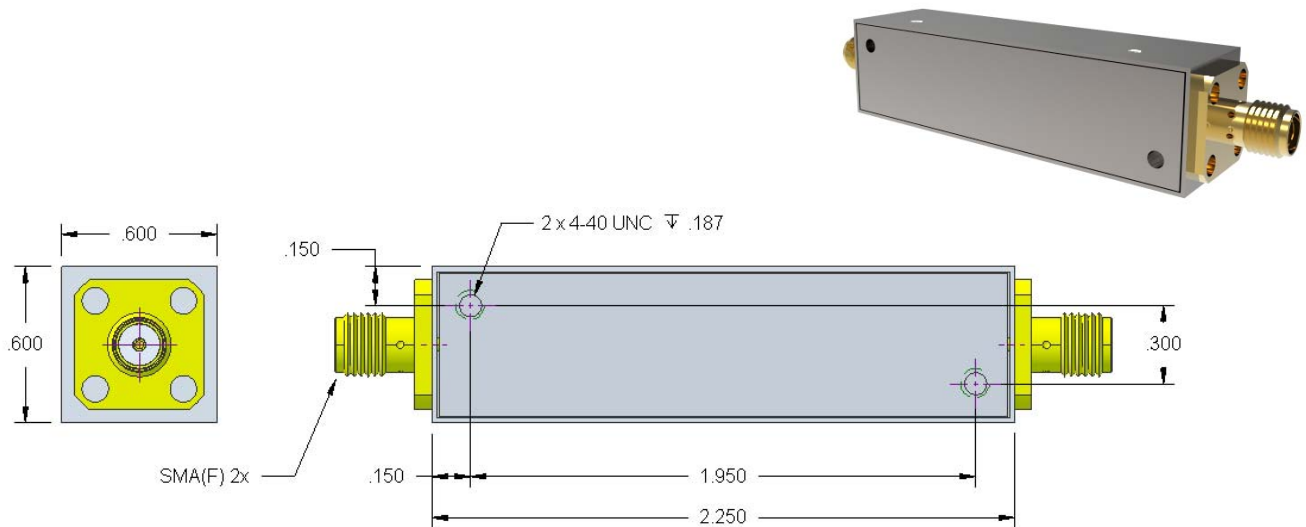
Web www.krfilters.com
Email sales@krfilters.com
Phone (732) 636-1900
Fax (732) 636-1982

KR Electronics 2855-SMA

Specifications

Parameter	Specification	Notes
Filter type	Bandpass	
Center Frequency (Fc)	725 MHz	
Insertion Loss (at Fc)	2 dBa max	1 dBa typical
3 dBc Bandwidth	350 MHz min	357 MHz typical
40 dBc Bandwidth	500 MHz max	482 MHz typical
Source and Load	50 Ω	

Physical Dimensions



Notes:

1. Dimensions in inches
2. Rectangular case
3. Also available in surface mount package

KR Electronics, Inc.
91 Avenel Street
Avenel, NJ 07001

Web www.krfilters.com
Email sales@krfilters.com
Phone (732) 636-1900
Fax (732) 636-1982