

REVISION RECORD				
REV	ECN	DESCRIPTION	DRFT	DATE

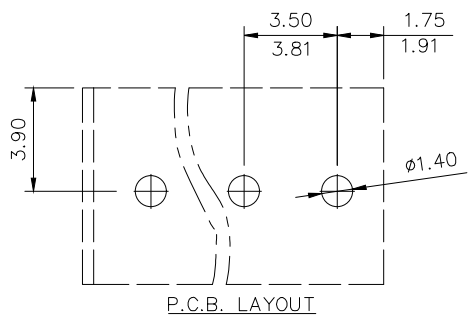
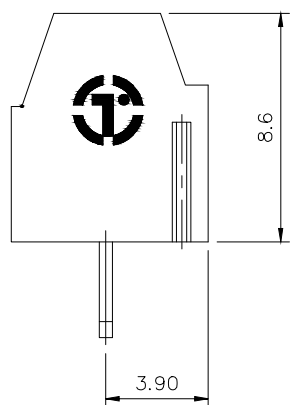
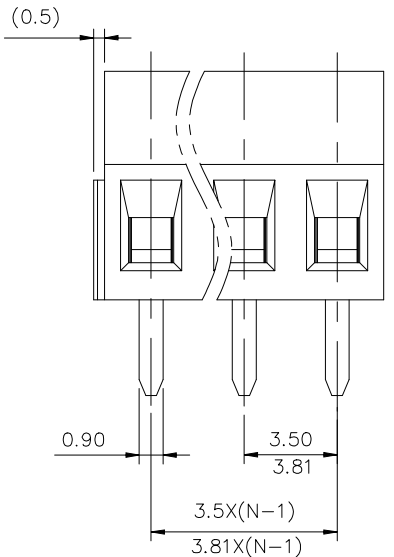
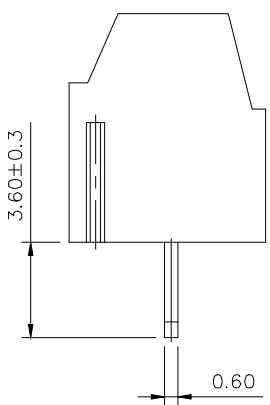
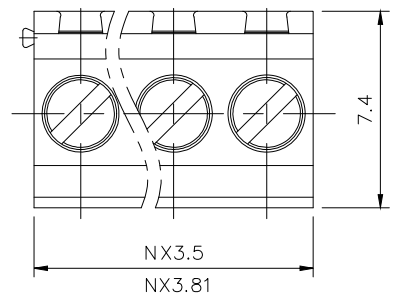
NOTES1:  
 UL Standard  
 1.Rated voltage/current : 300V / 10A  
 2.Torque Value : M2 , 1.77Lb.in  
 3.Wire Range : 26~16AWG

IEC Standard  
 1.Rated voltage/current : 130V / 10A  
 2.Torque Value : M2 , 0.2N.m  
 3.Wire Range : 0.5~1.0mm<sup>2</sup>

NOTES2:  
 1.Dimension shall be interpreted per ASME Y14.5-2009  
 2.Pitch : 3.5/3.81mm, Poles : N=02~24P  
 3.Stripping length : 4~5mm  
 4.Withstanding voltage : AC1250V/1Min  
 5.Operating temperature: -40°C~+105°C  
 6.Undimensioned tolerances:

Pitch range in mm			Nominal dimension range in mm					-	∩	Z
TO	Over	TO	TO	Over	Over	Over	Over	0.1/10		
6	6	10	30	30	60	100	150	≤		
±0.15	±0.20	±0.30	±0.30	±0.50	±0.70	±1.00	±1.30	±2'		

7.RoHS Compliance



TY381 - 3.5/3.81 - XXP - 1Y - 00A (H)  
 (Series No.) (Pitch) (Poles) (Single Pitch) (Color) (RoHS)  
 00A-(Standard)  
 1.(Grey)  
 2.(Blue)  
 3.(Black)  
 4.(Green)  
 5.(Orange)  
 6.(Red)  
 7.(Transparent)  
 8.(Yellow)  
 9.(White)

DETACHED LISTS	PART NO.:	石宜 (上海) 工控电器设备有限公司		
	APPD:	NAME: TY381-3.5/3.81-XXP-1Y-00A(H)		
	CHKD:	TITLE: CUSTOMER DRAWING		
	DRFT:	REV	DO	
THIRD ANGLE PROJECTION		DRAWING NO.:	SHEET	1/1
		MM (INCH)	DO NOT SCALE DRAWING	SCALE 1:1