

A. Features:

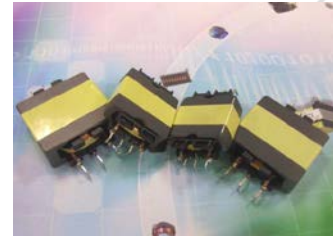
1. Low profile to achieve low core loss and high efficiency.
2. RoHS compliant and Halogen Free.

B. Application:

1. AV equipment, digital consumer electronics

C. Electrical Specifications:

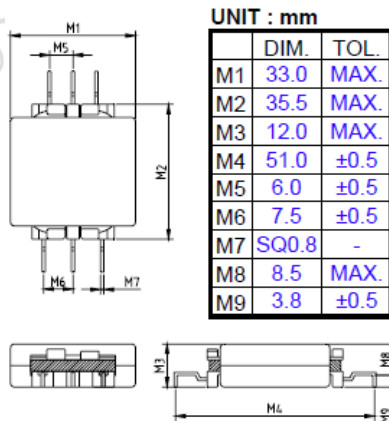
Model NO	Output Power (W)	Mount Method	Height (mm) Max.
TRQ3212HXXXXS	170	Drop-in	12
TRQ3213HXXXXS	170	Drop-in	14
TRQ2508HXXXXS	130	Drop-in	10.5
TRQ2510HXXXXS	130	Drop-in	11.0



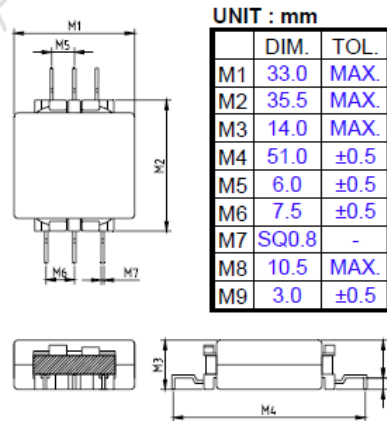
Note: 1. Input voltage E_{AC} (V): 85~264
 2. Frequency (KHz) Min.: 65

D. Drawing:

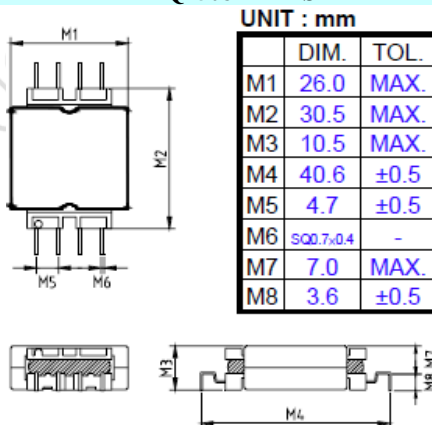
TRQ3212HXXXXS



TRQ3213HXXXXS



TRQ2508HXXXXS



TRQ2510HXXXXS

