

# FC SERIES REVERSING CONVERTER

DATA SHEET

PRG

The FC series reversing converter is used to reverse input signals and transmit the reversed signals as output signals.

## SPECIFICATIONS

### Input signal and input resistance:

DC 1~5V (Bias current... 1 $\mu$ A or lower)  
Note: When power supply interrupted ... 33k $\Omega$  or more

DC 4~20mA (250 $\Omega$ )

**Allowance:**  $\pm 0.5\%$  of full span  
 $\pm 0.25\%$  of full span is available on request

**Reproducibility:**  $\pm 0.1\%$

**Output signal:** DC 5~1V

### Output resistance:

Less than 0.5 $\Omega$

**Response time:** Less than 0.1 sec

**Power supply:** DC 24V (DC 20~30V)

or AC 24V  $\begin{matrix} +13 \\ -10 \end{matrix} \%$  50/60 Hz

### Power consumption:

Approx. 1W (DC 24V)

Approx. 2VA (AC 24V)

### Ambient temperature:

0~45 $^{\circ}$ C

### Ambient humidity:

Less than 90% RH

**Enclosure:** Steel case

### Dimensions (HxWxD):

247x44x225 mm

**Weight:** 0.9 kg (with case)

### Finish color:

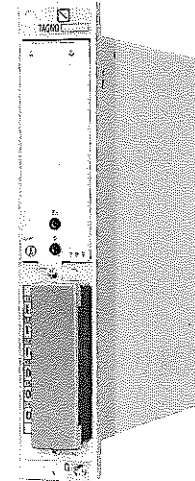
Case; Silver (melamine baking)  
Terminalcover; Gray (molded synthetic resin)

### Mounting method:

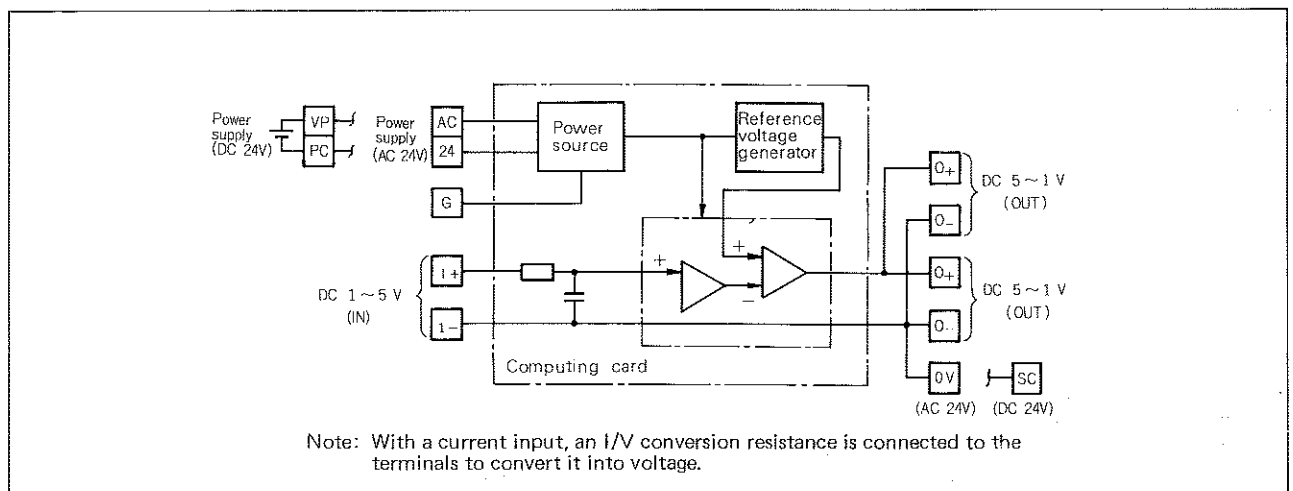
Rack mounting

### Range of delivery:

Reversing converter



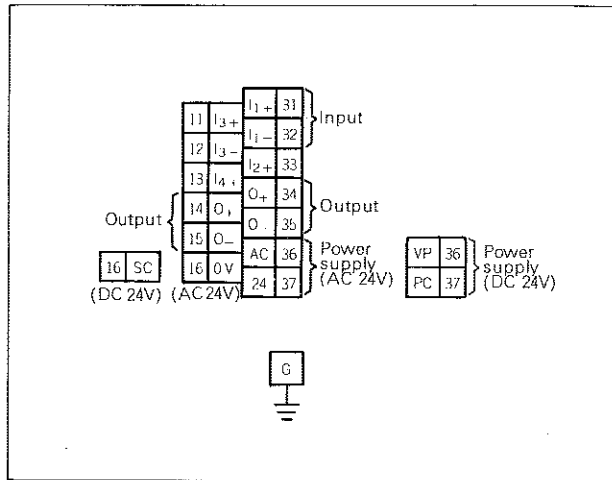
## BASIC CIRCUIT DIAGRAM



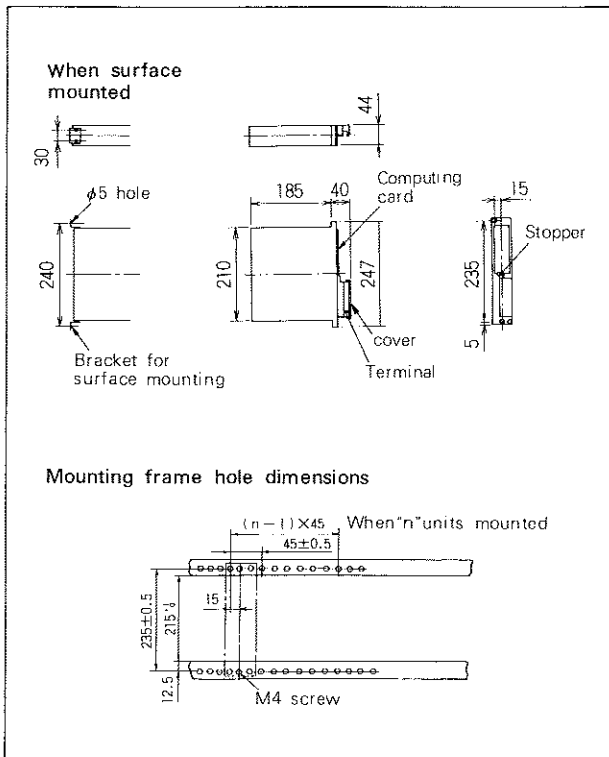
### CODE SYMBOLS

1	2	3	4	5	6	7	8	9	10	11	12	13	Description	
P	R	G	0	0	0	5	-	0	0	0				Input signal
													1	DC 1~5V
													2	DC 4~20mA
													1	Allowance
													*	±0.5%
													2	±0.25%
														Application
													0	General use
														Power supply
													1	DC 24V
													7	AC 24V 50/60 Hz

### CONNECTION DIAGRAM



### OUTLINE DIAGRAM (Unit:mm)



### ORDERING INFORMATION

1. Product name
2. Code symbol
3. Input specifications
4. Instrument specifications (filter, allowance)
5. Other

• Asterisked (\*) items ; Nonstandard.

## Fuji Electric Co.,Ltd.

#### Shinjuku Office

Overseas Sales Division, Systems Sector  
 30-3 Yoyogi 4-chome, Shibuya-ku  
 Tokyo. 151 Japan  
 Phone : Tokyo 3375-5031,7110  
 Telex : 02322165 FDENKI/J

#### Head Office

12-1 Yurakucho 1-chome, Chiyoda-ku  
 Tokyo. 100 Japan  
 Phone : Tokyo 3211-7111  
 Telex : J22331 FUJIELEA or FUJIELEB