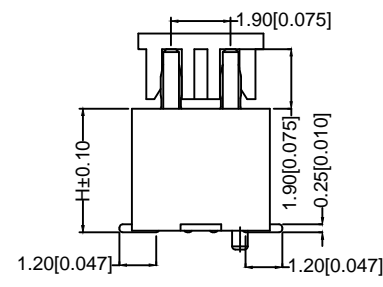
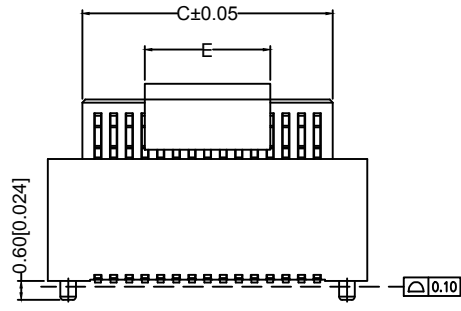


Voltage rating:50V AC/DC  
50V AC/DC  
Current rating:0.3A AC/DC  
0.3A AC/DC  
Withstanding voltage:150V AC/minute  
150V AC/  
Temperature range:-25 --+85  
-25 --+85  
Insulation resistance:≥1000MΩ  
≥1000MΩ  
Contact resistance:≤55mΩ  
≤20mΩ  
After environmental testing:≤40mΩ  
≤40

X0515 W V S-XX X X S- LP V01  
○ ○ ○ ○ ○ ○ ○ ○ ○ ○ ○ ○

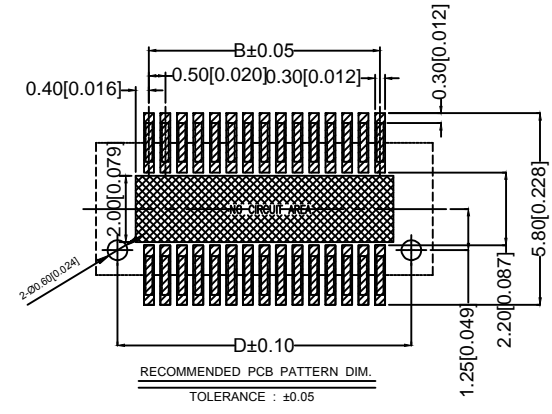
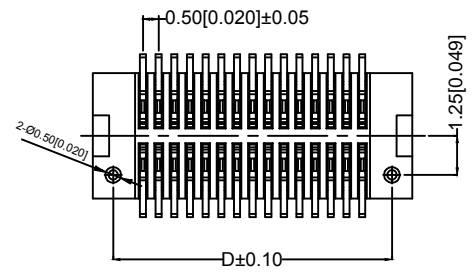
- 1.Series No
- 2.Category:W-WAFER
- 3.Welding Board Angle:V-Straight 180°
- 4.Welding Way:S-SMT
- 5.Row No-Pin No:XXP
- 6.Female Height:A:3.0mm;B:3.5mm;C:4.0mm;D:4.5
- 7.Male Height:E:4.0m
- 8.special No:S-With positioning Column
- 9.Material:LP-LCP
- 10.Metal plating:Gold Flash



MATING HEIGHT	WV	FV
7.0	4.0	3.0
7.5	4.0	3.5
8.0	4.0	4.0

NO.of contacts	Dimensions					NO.of contacts	Dimensions				
	A	B	C	D	E		A	B	C	D	E
4	3.70	0.50	1.56	2.40		54	16.20	13.00	14.06	14.90	
6	4.20	1.00	2.05	2.90		56	16.70	13.50	14.56	15.40	
8	4.70	1.50	2.56	3.40		58	17.20	14.00	15.06	15.90	
10	5.20	2.00	3.06	3.90		60	17.70	14.50	15.56	16.40	
12	5.70	2.50	3.56	4.40		62	18.20	15.00	16.06	16.90	
14	6.20	3.00	4.06	4.90		64	18.70	15.50	16.56	17.40	
16	6.70	3.50	4.56	5.40		66	19.20	16.00	17.06	17.90	
18	7.20	4.00	5.06	5.90		68	19.70	16.50	17.56	18.40	
20	7.70	4.50	5.56	6.40		70	20.20	17.00	18.06	18.90	
22	8.20	5.00	6.06	6.90		72	20.70	17.50	18.56	19.40	
24	8.70	5.50	6.56	7.40		74	21.20	18.00	19.06	19.90	
26	9.20	6.00	7.06	7.90		76	21.70	18.50	19.56	20.40	
28	9.70	6.50	7.56	8.40		78	22.20	19.00	20.06	20.90	
30	10.20	7.00	8.06	8.90		80	22.70	19.50	20.56	21.40	
32	10.70	7.50	8.56	9.40		82	23.20	20.00	21.06	21.90	
34	11.20	8.00	9.06	9.90		84	23.70	20.50	21.56	22.40	
36	11.70	8.50	9.56	10.40		86	24.20	21.00	22.06	22.90	
38	12.20	9.00	10.06	10.90		88	24.70	21.50	22.56	23.40	
40	12.70	9.50	10.56	11.40		90	25.20	22.00	23.06	23.90	
42	13.20	10.00	11.06	11.90		92	25.70	22.50	23.56	24.40	
44	13.70	10.50	11.56	12.40		94	26.20	23.00	24.06	24.90	
46	14.20	11.00	12.06	12.90		96	26.70	23.50	24.56	25.40	
48	14.70	11.50	12.56	13.40		98	27.20	24.00	25.06	25.90	
50	15.20	12.00	13.06	13.90		100	27.70	24.50	25.56	26.40	
52	15.70	12.50	13.56	14.40							

MATED HEIGHT
X0515WVS-XXXXS-LPV01
Single high
X0515WVS-XXXS-LPV01



MARK	DESCRIPTION	DATE	REVISED	APPROVED	UNSPECIFIED TOLERANCES
ΔX					ANGULAR ±5°
ΔX					L ≤ 4 ±0.2
ΔX					4 < L ≤ 16 ±0.3
ΔX					16 < L ≤ 63 ±0.4
MARK					L > 63 ±0.5

**XKB**

**XKB INDUSTRIAL PRECISION CO., LIMITED**

DSND	SCALE: N/A	MODEL TYPE:
DWN	VIEW:	PART NO.: 0.50mm Style Connectors
CHKD	UNIT: mm/in	DWG NO.: X0515WVS-XXXXS-LPV01
APPD	SIZE: A4	WEIGHT SHEET REVISION 1/1 A0