



# RL-1256

## RADIAL LEADED POWER LINE CHOKES



### DESCRIPTION

- Power Line Chokes

### ENVIRONMENTAL DATA

- Storage temperature range: -55°C to +130°C
- Operating temperature range: -40°C to +130°C

### PACKAGING INFORMATION

- Packaging information: pg. 493

### FEATURES & APPLICATIONS

- Available in 367 standard values covering a wide range of inductance and current
- High saturation flux density material is ideal for use in switching regulated power supply applications
- Ideal wherever high current choke values in a small physical size are needed
- Typical applications include: power amplifiers, power supplies, SCR and TRIAC controls, speaker crossover networks and filters

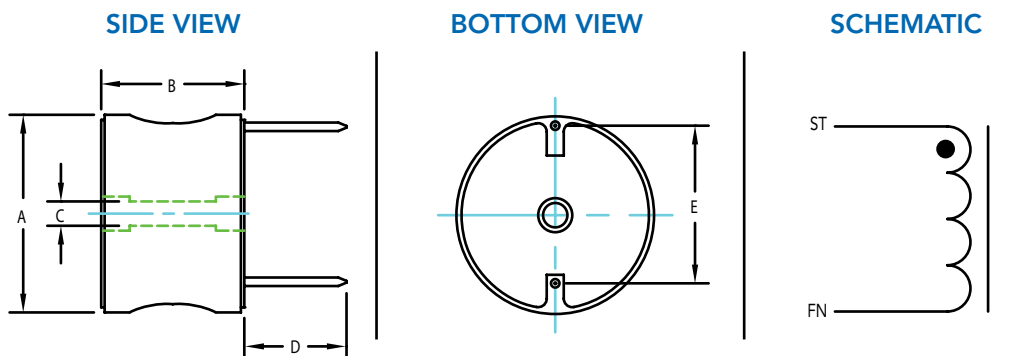
Verify operation with sample in actual circuit. Order samples at [www.rencousa.com](http://www.rencousa.com).

### MECHANICAL DIMENSIONS

U.S. Standard (mm)

PART NUMBER	A (MAX.)	B (MAX.)	C (REF.)	D (MIN.)	PART NUMBER	PART WEIGHT
RL-1256-1	0.66 (16.76)	0.85 (21.59)	Clearance Hole For 4/40 Screw	0.50 (12.70)	RL-1256-1	13.0g (0.46oz)
RL-1256-2	0.83 (21.08)	0.85 (21.59)		0.50 (12.70)	RL-1256-2	22.0g (0.78oz)
RL-1256-3	1.10 (27.94)	0.85 (21.59)		0.50 (12.70)	RL-1256-3	38.0g (1.34oz)
RL-1256-4	1.60 (40.64)	1.10 (27.94)	Clearance Hole For 8/32 Screw With Washer	0.50 (12.70)	RL-1256-4	118.0g (4.16oz)
RL-1256-5	1.60 (40.64)	1.50 (38.10)		0.50 (12.70)	RL-1256-5	157.0g (5.54oz)
RL-1256-6	2.00 (50.80)	1.50 (38.10)		0.50 (12.70)	RL-1256-6	220.0g (7.77oz)
RL-1256-7	2.40 (60.96)	1.50 (38.10)		0.50 (12.70)	RL-1256-7	334.0g (12.13oz)
RL-1256-8	2.40 (60.96)	2.60 (66.04)		0.50 (12.70)	RL-1256-8	583.0g (20.57oz)

SEE SPECIFICATION TABLES FOR "E" DIMENSIONS



**RENCO ELECTRONICS INC.**

595 International Place, Rockledge, FL 32955-4200 USA • [www.rencousa.com](http://www.rencousa.com) • ISO 9001 Certified  
Toll Free Engineering Hot Line: 800.645.5828 • P: 321.637.1000 • F: 321.637.1600



# RL-1256-1

RL-1256-1 Renco Part No.	Inductance ( $\mu$ H)	DCR Max. (Ohms)	Isat (A)	Irms (A)	Dimension "E" Approx. Inches (mm)	Pin Dimension Approx. Inches (mm)
RL-1256-1-1.0	1.00	0.003	87.0	9.0	0.550 (13.97)	0.054 (1.37)
RL-1256-1-1.2	1.20	0.003	68.0	9.0	0.550 (13.97)	0.054 (1.37)
RL-1256-1-1.5	1.50	0.004	56.0	9.0	0.550 (13.97)	0.054 (1.37)
RL-1256-1-1.8	1.80	0.004	56.0	9.0	0.550 (13.97)	0.054 (1.37)
RL-1256-1-2.2	2.20	0.005	47.0	9.0	0.550 (13.97)	0.054 (1.37)
RL-1256-1-2.7	2.70	0.005	47.0	9.0	0.550 (13.97)	0.054 (1.37)
RL-1256-1-3.3	3.30	0.005	40.0	9.0	0.550 (13.97)	0.054 (1.37)
RL-1256-1-3.9	3.90	0.006	36.0	9.0	0.550 (13.97)	0.054 (1.37)
RL-1256-1-4.7	4.70	0.007	32.0	9.0	0.550 (13.97)	0.054 (1.37)
RL-1256-1-5.6	5.60	0.007	29.0	9.0	0.550 (13.97)	0.054 (1.37)
RL-1256-1-6.8	6.80	0.008	26.0	9.0	0.550 (13.97)	0.054 (1.37)
RL-1256-1-8.2	8.20	0.009	24.5	9.0	0.550 (13.97)	0.054 (1.37)
RL-1256-1-10	10.0	0.010	21.2	9.0	0.550 (13.97)	0.054 (1.37)
RL-1256-1-12	12.0	0.011	19.0	9.0	0.550 (13.97)	0.054 (1.37)
RL-1256-1-15	15.0	0.015	17.5	7.2	0.500 (12.70)	0.048 (1.22)
RL-1256-1-18	18.0	0.016	16.5	7.2	0.500 (12.70)	0.048 (1.22)
RL-1256-1-22	22.0	0.025	15.8	5.5	0.500 (12.70)	0.043 (1.09)
RL-1256-1-27	27.0	0.030	14.4	4.5	0.500 (12.70)	0.039 (0.99)
RL-1256-1-33	33.0	0.040	13.2	4.0	0.406 (10.31)	0.035 (0.89)
RL-1256-1-39	39.0	0.046	11.8	4.0	0.469 (11.91)	0.035 (0.89)
RL-1256-1-47	47.0	0.062	11.0	2.8	0.469 (11.91)	0.031 (0.78)
RL-1256-1-56	56.0	0.069	10.0	2.8	0.485 (12.32)	0.031 (0.78)
RL-1256-1-68	68.0	0.077	8.9	2.8	0.500 (12.70)	0.031 (0.78)
RL-1256-1-82	82.0	0.083	8.2	2.8	0.500 (12.70)	0.031 (0.78)
RL-1256-1-100	100.0	0.095	7.5	2.8	0.500 (12.70)	0.031 (0.78)
RL-1256-1-120	120.0	0.127	5.8	2.0	0.480 (12.19)	0.028 (0.71)
RL-1256-1-150	150.0	0.181	5.6	1.6	0.480 (12.19)	0.025 (0.64)
RL-1256-1-180	180.0	0.217	5.1	1.6	0.480 (12.19)	0.025 (0.64)
RL-1256-1-220	220.0	0.240	4.3	1.6	0.480 (12.19)	0.025 (0.64)
RL-1256-1-270	270.0	0.300	4.1	1.6	0.480 (12.19)	0.022 (0.56)
RL-1256-1-330	330.0	0.336	3.8	1.3	0.480 (12.19)	0.022 (0.56)
RL-1256-1-390	390.0	0.460	3.3	1.0	0.480 (12.19)	0.022 (0.56)
RL-1256-1-470	470.0	0.636	3.2	0.8	0.450 (11.43)	0.020 (0.51)
RL-1256-1-560	560.0	0.696	2.9	0.8	0.450 (11.43)	0.018 (0.46)

## NOTES:

1. INDUCTANCE  $\pm$  10% TESTED AT 10 kHz , 0.1 Vrms, VALUES BELOW 10 $\mu$ H ARE  $\pm$  20%
2. 500 VOLTS DC HIPOT FOR 1 MINUTE (WINDING TO I.D. OF CORE)
3. ELECTRICAL SPECIFICATIONS MEASURED AT 25°C
4. Isat - DC CURRENT THAT WILL CAUSE INDUCTANCE TO DROP BY 5%
5. Irms - CURRENT THAT CAUSES THE TEMPERATURE TO RISE APPROX. 40°C ABOVE AMBIENT OF 25°C
6. LEADS FOR PC MOUNTING TINNED TO WITHIN 1/16" OF BODY
7. PART FINISHED WITH 135°C POLYOLEFIN SLEEVING THAT MEETS UL-224 VW-1
8. ENCAPSULATED TO MIL-PRF-27 AVAILABLE, SEE RENCO RL-1324 SERIES
9. CENTER HOLE FOR MECHANICAL MOUNTING
10. SPACER AVAILABLE AT ADDITIONAL COST TO FACILITATE PC BOARD WASHING
11. NON-LISTED VALUES AVAILABLE ON REQUEST



**RENCO ELECTRONICS INC.**

595 International Place, Rockledge, FL 32955-4200 USA • www.rencousa.com • ISO 9001 Certified  
Toll Free Engineering Hot Line: 800.645.5828 • P: 321.637.1000 • F: 321.637.1600



# RL-1256-2

RL-1256-2 Renco Part No.	Inductance ( $\mu$ H)	DCR Max. (Ohms)	Isat (A)	Irms (A)	Dimension "E" Approx. Inches (mm)	Pin Dimension Approx. Inches (mm)
RL-1256-2-1.0	1.00	0.003	108.0	11.4	0.620 (15.75)	0.060 (1.52)
RL-1256-2-1.2	1.20	0.003	108.0	11.4	0.620 (15.75)	0.060 (1.52)
RL-1256-2-1.5	1.50	0.003	83.0	11.4	0.620 (15.75)	0.060 (1.52)
RL-1256-2-1.8	1.80	0.003	68.0	11.4	0.620 (15.75)	0.060 (1.52)
RL-1256-2-2.2	2.20	0.004	68.0	11.4	0.620 (15.75)	0.060 (1.52)
RL-1256-2-2.7	2.70	0.005	58.0	11.4	0.620 (15.75)	0.060 (1.52)
RL-1256-2-3.3	3.30	0.005	58.0	11.4	0.620 (15.75)	0.060 (1.52)
RL-1256-2-3.9	3.90	0.005	50.0	11.4	0.620 (15.75)	0.060 (1.52)
RL-1256-2-4.7	4.70	0.005	50.0	11.4	0.620 (15.75)	0.060 (1.52)
RL-1256-2-5.6	5.60	0.006	44.0	11.4	0.620 (15.75)	0.060 (1.52)
RL-1256-2-6.8	6.80	0.007	39.0	11.4	0.620 (15.75)	0.060 (1.52)
RL-1256-2-8.2	8.20	0.007	36.0	11.4	0.620 (15.75)	0.060 (1.52)
RL-1256-2-10	10.0	0.009	30.0	11.4	0.620 (15.75)	0.060 (1.52)
RL-1256-2-12	12.0	0.009	27.0	11.4	0.620 (15.75)	0.060 (1.52)
RL-1256-2-15	15.0	0.013	25.0	9.0	0.625 (15.88)	0.054 (1.37)
RL-1256-2-18	18.0	0.018	22.0	7.2	0.630 (16.00)	0.048 (1.22)
RL-1256-2-22	22.0	0.019	21.0	7.2	0.630 (16.00)	0.048 (1.22)
RL-1256-2-27	27.0	0.026	20.5	5.5	0.546 (13.87)	0.043 (1.09)
RL-1256-2-33	33.0	0.029	18.6	5.5	0.546 (13.87)	0.043 (1.09)
RL-1256-2-39	39.0	0.030	17.0	5.5	0.594 (15.09)	0.043 (1.09)
RL-1256-2-47	47.0	0.035	15.1	5.5	0.625 (15.88)	0.041 (1.04)
RL-1256-2-56	56.0	0.039	13.6	5.5	0.625 (15.88)	0.041 (1.04)
RL-1256-2-68	68.0	0.053	12.7	4.8	0.656 (16.66)	0.039 (0.99)
RL-1256-2-82	82.0	0.060	11.3	4.8	0.656 (16.66)	0.039 (0.99)
RL-1256-2-100	100.0	0.080	10.4	4.0	0.593 (15.06)	0.033 (0.84)
RL-1256-2-120	120.0	0.090	9.4	4.0	0.593 (15.06)	0.033 (0.84)
RL-1256-2-150	150.0	0.098	8.6	4.0	0.593 (15.06)	0.033 (0.84)
RL-1256-2-180	180.0	0.110	7.8	4.0	0.671 (17.04)	0.033 (0.84)
RL-1256-2-220	220.0	0.150	7.0	2.8	0.593 (15.06)	0.031 (0.79)
RL-1256-2-270	270.0	0.213	6.3	2.0	0.562 (14.27)	0.030 (0.76)
RL-1256-2-330	330.0	0.305	5.2	1.6	0.590 (14.99)	0.025 (0.66)
RL-1256-2-390	390.0	0.320	4.9	1.6	0.590 (14.99)	0.025 (0.66)
RL-1256-2-470	470.0	0.355	4.5	1.6	0.590 (14.99)	0.025 (0.66)
RL-1256-2-560	560.0	0.388	4.1	1.6	0.590 (14.99)	0.025 (0.66)

RL-1256-2 TABLE CONTINUES ON FOLLOWING PAGE

**NOTES:**

- INDUCTANCE  $\pm$  10% TESTED AT 10 kHz , 0.1 Vrms, VALUES BELOW 10 $\mu$ H ARE  $\pm$  20%
- 500 VOLTS DC HIPOT FOR 1 MINUTE (WINDING TO I.D. OF CORE)
- ELECTRICAL SPECIFICATIONS MEASURED AT 25°C
- Isat - DC CURRENT THAT WILL CAUSE INDUCTANCE TO DROP BY 5%
- Irms - CURRENT THAT CAUSES THE TEMPERATURE TO RISE APPROX. 40°C ABOVE AMBIENT OF 25°C
- LEADS FOR PC MOUNTING TINNED TO WITHIN 1/16" OF BODY
- PART FINISHED WITH 135°C POLYOLEFIN SLEEVING THAT MEETS UL-224 VW-1
- ENCAPSULATED TO MIL-PRF-27 AVAILABLE, SEE RENCO RL-1324 SERIES
- CENTER HOLE FOR MECHANICAL MOUNTING
- SPACER AVAILABLE AT ADDITIONAL COST TO FACILITATE PC BOARD WASHING
- NON-LISTED VALUES AVAILABLE ON REQUEST



**RENCO ELECTRONICS INC.**

595 International Place, Rockledge, FL 32955-4200 USA • www.rencousa.com • ISO 9001 Certified  
Toll Free Engineering Hot Line: 800.645.5828 • P: 321.637.1000 • F: 321.637.1600



# RL-1256-2, RL-1256-3

RL-1256-2 Renco Part No.	Inductance ( $\mu$ H)	DCR Max. (Ohms)	Isat (A)	Irms (A)	Dimension "E" Approx. Inches (mm)	Pin Dimension Approx. Inches (mm)
RL-1256-2-680	680.0	0.430	3.7	1.6	0.590 (14.99)	0.025 (0.66)
RL-1256-2-820	820.0	0.590	3.4	1.3	0.590 (14.99)	0.022 (0.56)
RL-1256-2-1000	1000.0	0.818	3.1	1.0	0.590 (14.99)	0.020 (0.50)
RL-1256-2-1200	1200.0	1.14	2.7	0.8	0.590 (14.99)	0.020 (0.50)
RL-1256-2-1500	1500.0	1.26	2.4	0.8	0.590 (14.99)	0.020 (0.50)
RL-1256-2-1800	1800.0	1.39	2.2	0.8	0.590 (14.99)	0.020 (0.50)
RL-1256-2-2200	2200.0	1.54	2.0	0.8	0.590 (14.99)	0.020 (0.50)

RL-1256-3 Renco Part No.	Inductance ( $\mu$ H)	DCR Max. (Ohms)	Isat (A)	Irms (A)	Dimension "E" Approx. Inches (mm)	Pin Dimension Approx. Inches (mm)
RL-1256-3-1.0	1.00	0.003	116.0	21.0	0.800 (20.32)	0.084 (2.13)
RL-1256-3-1.2	1.20	0.003	116.0	21.0	0.800 (20.32)	0.084 (2.13)
RL-1256-3-1.5	1.50	0.003	116.0	21.0	0.800 (20.32)	0.084 (2.13)
RL-1256-3-1.8	1.80	0.003	90.0	21.0	0.800 (20.32)	0.084 (2.13)
RL-1256-3-2.2	2.20	0.003	90.0	21.0	0.800 (20.32)	0.084 (2.13)
RL-1256-3-2.7	2.70	0.003	74.0	21.0	0.800 (20.32)	0.084 (2.13)
RL-1256-3-3.3	3.30	0.003	74.0	21.0	0.800 (20.32)	0.084 (2.13)
RL-1256-3-3.9	3.90	0.003	62.0	21.0	0.800 (20.32)	0.084 (2.13)
RL-1256-3-4.7	4.70	0.003	54.0	21.0	0.800 (20.32)	0.084 (2.13)
RL-1256-3-5.6	5.60	0.003	54.0	21.0	0.800 (20.32)	0.084 (2.13)
RL-1256-3-6.8	6.80	0.004	47.0	21.0	0.800 (20.32)	0.084 (2.13)
RL-1256-3-8.2	8.20	0.004	42.0	21.0	0.800 (20.32)	0.084 (2.13)
RL-1256-3-10	10.0	0.006	38.0	17.0	0.700 (17.78)	0.075 (1.90)
RL-1256-3-12	12.0	0.008	35.0	13.5	0.690 (17.53)	0.068 (1.73)
RL-1256-3-15	15.0	0.009	32.0	13.5	0.690 (17.53)	0.068 (1.73)
RL-1256-3-18	18.0	0.010	29.0	13.5	0.690 (17.53)	0.068 (1.73)
RL-1256-3-22	22.0	0.011	25.0	13.5	0.790 (20.07)	0.068 (1.73)
RL-1256-3-27	27.0	0.012	23.0	13.5	0.790 (20.07)	0.068 (1.73)
RL-1256-3-33	33.0	0.017	20.0	13.5	0.790 (20.07)	0.060 (1.52)
RL-1256-3-39	39.0	0.022	19.1	11.4	0.790 (20.07)	0.054 (1.37)
RL-1256-3-47	47.0	0.024	19.0	9.0	0.750 (19.05)	0.054 (1.37)

RL-1256-3 TABLE CONTINUES ON FOLLOWING PAGE

## NOTES:

- INDUCTANCE  $\pm$  10% TESTED AT 10 kHz , 0.1 Vrms, VALUES BELOW 10 $\mu$ H ARE  $\pm$  20%
- 500 VOLTS DC HIPOT FOR 1 MINUTE (WINDING TO I.D. OF CORE)
- ELECTRICAL SPECIFICATIONS MEASURED AT 25°C
- Isat - DC CURRENT THAT WILL CAUSE INDUCTANCE TO DROP BY 5%
- Irms - CURRENT THAT CAUSES THE TEMPERATURE TO RISE APPROX. 40°C ABOVE AMBIENT OF 25°C
- LEADS FOR PC MOUNTING TINNED TO WITHIN 1/16" OF BODY
- PART FINISHED WITH 135°C POLYOLEFIN SLEEVING THAT MEETS UL-224 VW-1
- ENCAPSULATED TO MIL-PRF-27 AVAILABLE, SEE RENCO RL-1324 SERIES
- CENTER HOLE FOR MECHANICAL MOUNTING
- SPACER AVAILABLE AT ADDITIONAL COST TO FACILITATE PC BOARD WASHING
- NON-LISTED VALUES AVAILABLE ON REQUEST



**RENCO ELECTRONICS INC.**

595 International Place, Rockledge, FL 32955-4200 USA • www.rencousa.com • ISO 9001 Certified  
Toll Free Engineering Hot Line: 800.645.5828 • P: 321.637.1000 • F: 321.637.1600



# RL-1256-3, RL-1256-4

RL-1256-3 Renco Part No.	Inductance ( $\mu$ H)	DCR Max. (Ohms)	Isat (A)	Irms (A)	Dimension "E" Approx. Inches (mm)	Pin Dimension Approx. Inches (mm)
RL-1256-3-56	56.0	0.026	17.5	9.0	0.750 (19.05)	0.054 (1.37)
RL-1256-3-68	68.0	0.029	15.6	9.0	0.750 (19.05)	0.054 (1.37)
RL-1256-3-82	82.0	0.032	14.0	9.0	0.750 (19.05)	0.054 (1.37)
RL-1256-3-100	100.0	0.034	13.2	9.0	0.781 (19.84)	0.054 (1.37)
RL-1256-3-120	120.0	0.046	12.1	7.2	0.750 (19.05)	0.051 (1.30)
RL-1256-3-150	150.0	0.064	10.8	5.5	0.781 (19.84)	0.043 (1.09)
RL-1256-3-180	180.0	0.072	9.7	5.5	0.781 (19.84)	0.043 (1.09)
RL-1256-3-220	220.0	0.080	8.7	5.5	0.781 (19.84)	0.041 (1.04)
RL-1256-3-270	270.0	0.110	7.9	4.5	0.750 (19.05)	0.039 (0.99)
RL-1256-3-330	330.0	0.122	7.1	4.5	0.812 (20.62)	0.039 (0.99)
RL-1256-3-390	390.0	0.169	6.7	4.0	0.750 (19.05)	0.035 (0.89)
RL-1256-3-470	470.0	0.187	6.0	4.0	0.750 (19.05)	0.035 (0.89)
RL-1256-3-560	560.0	0.205	5.5	4.0	0.750 (19.05)	0.035 (0.89)
RL-1256-3-680	680.0	0.256	5.0	2.8	0.718 (18.24)	0.031 (0.79)
RL-1256-3-820	820.0	0.288	4.5	2.8	0.843 (22.17)	0.031 (0.79)
RL-1256-3-1000	1000.0	0.426	4.1	2.0	0.750 (19.05)	0.028 (0.71)
RL-1256-3-1200	1200.0	0.462	3.7	2.0	0.750 (19.05)	0.028 (0.71)
RL-1256-3-1500	1500.0	0.518	3.4	2.0	0.750 (19.05)	0.028 (0.71)
RL-1256-3-1800	1800.0	0.705	2.8	1.6	0.770 (19.56)	0.022 (0.56)
RL-1256-3-2200	2200.0	1.02	2.5	1.3	0.770 (19.56)	0.022 (0.56)
RL-1256-3-2700	2700.0	1.14	2.3	1.3	0.770 (19.56)	0.022 (0.56)
RL-1256-3-3300	3300.0	1.27	2.0	1.3	0.750 (19.05)	0.022 (0.56)
RL-1256-3-3900	3900.0	1.67	1.8	1.0	0.750 (19.05)	0.020 (0.51)
RL-1256-3-4700	4700.0	1.86	1.7	1.0	0.750 (19.05)	0.020 (0.51)

RL-1256-4 Renco Part No.	Inductance ( $\mu$ H)	DCR Max. (Ohms)	Isat (A)	Irms (A)	Dimension "E" Approx. Inches (mm)	Pin Dimension Approx. Inches (mm)
RL-1256-4-1.8	1.80	0.002	150.0	27.0	1.11 (28.19)	0.094 (2.39)
RL-1256-4-2.2	2.20	0.002	150.0	27.0	1.11 (28.19)	0.094 (2.39)
RL-1256-4-2.7	2.70	0.003	115.0	27.0	1.11 (28.19)	0.094 (2.39)
RL-1256-4-3.3	3.30	0.003	115.0	27.0	1.11 (28.19)	0.094 (2.39)
RL-1256-4-3.9	3.90	0.003	95.0	27.0	1.11 (28.19)	0.094 (2.39)
RL-1256-4-4.7	4.70	0.003	95.0	27.0	1.11 (28.19)	0.094 (2.39)

## RL-1256-4 TABLE CONTINUES ON FOLLOWING PAGE

### NOTES:

- INDUCTANCE  $\pm$  10% TESTED AT 10 kHz , 0.1 Vrms, VALUES BELOW 10 $\mu$ H ARE  $\pm$  20%
- 500 VOLTS DC HIPOT FOR 1 MINUTE (WINDING TO I.D. OF CORE)
- ELECTRICAL SPECIFICATIONS MEASURED AT 25°C
- Isat - DC CURRENT THAT WILL CAUSE INDUCTANCE TO DROP BY 5%
- Irms - CURRENT THAT CAUSES THE TEMPERATURE TO RISE APPROX. 40°C ABOVE AMBIENT OF 25°C
- LEADS FOR PC MOUNTING TINNED TO WITHIN 1/16" OF BODY
- PART FINISHED WITH 135°C POLYOLEFIN SLEEVING THAT MEETS UL-224 VW-1
- ENCAPSULATED TO MIL-PRF-27 AVAILABLE, SEE RENCO RL-1324 SERIES
- CENTER HOLE FOR MECHANICAL MOUNTING
- SPACER AVAILABLE AT ADDITIONAL COST TO FACILITATE PC BOARD WASHING
- NON-LISTED VALUES AVAILABLE ON REQUEST



**RENCO ELECTRONICS INC.**

595 International Place, Rockledge, FL 32955-4200 USA • www.rencousa.com • ISO 9001 Certified  
Toll Free Engineering Hot Line: 800.645.5828 • P: 321.637.1000 • F: 321.637.1600



# RL-1256-4

RL-1256-4 Renco Part No.	Inductance ( $\mu$ H)	DCR Max. (Ohms)	Isat (A)	Irms (A)	Dimension "E" Approx. Inches (mm)	Pin Dimension Approx. Inches (mm)
RL-1256-4-5.6	5.60	0.004	79.0	27.0	1.11 (28.19)	0.094 (2.39)
RL-1256-4-6.8	6.80	0.004	79.0	27.0	1.11 (28.19)	0.094 (2.39)
RL-1256-4-8.2	8.20	0.004	69.0	27.0	1.11 (28.19)	0.094 (2.39)
RL-1256-4-10	10.0	0.005	61.0	27.0	1.11 (28.19)	0.094 (2.39)
RL-1256-4-12	12.0	0.005	55.0	27.0	1.11 (28.19)	0.094 (2.39)
RL-1256-4-15	15.0	0.006	49.0	27.0	1.11 (28.19)	0.094 (2.39)
RL-1256-4-18	18.0	0.008	41.0	27.0	1.11 (28.19)	0.094 (2.39)
RL-1256-4-22	22.0	0.009	38.0	21.0	1.11 (28.19)	0.084 (2.13)
RL-1256-4-27	27.0	0.010	36.0	21.0	1.15 (29.21)	0.084 (2.13)
RL-1256-4-33	33.0	0.011	31.0	21.0	1.15 (29.21)	0.084 (2.13)
RL-1256-4-39	39.0	0.012	28.0	14.4	1.15 (29.21)	0.084 (2.13)
RL-1256-4-47	47.0	0.018	27.0	14.4	1.14 (28.96)	0.068 (1.73)
RL-1256-4-56	56.0	0.019	26.1	14.4	1.14 (28.96)	0.068 (1.73)
RL-1256-4-68	68.0	0.021	24.4	14.4	1.14 (28.96)	0.068 (1.73)
RL-1256-4-82	82.0	0.023	22.4	14.4	1.14 (28.96)	0.068 (1.73)
RL-1256-4-100	100.0	0.025	20.0	14.4	1.14 (28.96)	0.068 (1.73)
RL-1256-4-120	120.0	0.028	18.0	14.4	1.187 (30.15)	0.068 (1.73)
RL-1256-4-150	150.0	0.040	16.4	11.4	1.125 (28.58)	0.060 (1.52)
RL-1256-4-180	180.0	0.045	14.6	11.4	1.125 (28.58)	0.060 (1.52)
RL-1256-4-220	220.0	0.050	13.2	11.4	1.125 (28.58)	0.060 (1.52)
RL-1256-4-270	270.0	0.056	11.8	11.4	1.156 (29.36)	0.060 (1.52)
RL-1256-4-330	330.0	0.074	11.4	11.4	1.125 (28.58)	0.054 (1.37)
RL-1256-4-390	390.0	0.082	10.1	9.0	1.187 (30.15)	0.054 (1.37)
RL-1256-4-470	470.0	0.114	9.2	7.2	1.125 (28.58)	0.048 (1.22)
RL-1256-4-560	560.0	0.125	8.3	7.2	1.125 (28.58)	0.048 (1.22)
RL-1256-4-680	680.0	0.139	7.6	7.2	1.125 (28.58)	0.048 (1.22)
RL-1256-4-820	820.0	0.154	6.8	7.2	1.187 (30.15)	0.048 (1.22)
RL-1256-4-1000	1000.0	0.216	6.2	5.5	1.062 (26.97)	0.043 (1.09)
RL-1256-4-1200	1200.0	0.232	5.7	5.5	1.156 (29.36)	0.043 (1.09)
RL-1256-4-1500	1500.0	0.324	5.1	4.5	1.156 (29.36)	0.039 (0.99)
RL-1256-4-1800	1800.0	0.360	4.6	4.5	1.156 (29.36)	0.039 (0.99)
RL-1256-4-2200	2200.0	0.494	4.2	4.0	1.062 (26.97)	0.033 (0.84)
RL-1256-4-2700	2700.0	0.555	3.8	4.0	1.062 (26.97)	0.033 (0.84)

## RL-1256-4 TABLE CONTINUES ON FOLLOWING PAGE

### NOTES:

- INDUCTANCE  $\pm$  10% TESTED AT 10 kHz , 0.1 Vrms VALUES BELOW 10 $\mu$ H ARE  $\pm$  20%
- 500 VOLTS DC HIPOT FOR 1 MINUTE (WINDING TO I.D. OF CORE)
- ELECTRICAL SPECIFICATIONS MEASURED AT 25°C
- Isat - DC CURRENT THAT WILL CAUSE INDUCTANCE TO DROP BY 5%
- Irms - CURRENT THAT CAUSES THE TEMPERATURE TO RISE APPROX. 40°C ABOVE AMBIENT OF 25°C
- LEADS FOR PC MOUNTING TINNED TO WITHIN 1/16" OF BODY
- PART FINISHED WITH 135°C POLYOLEFIN SLEEVING THAT MEETS UL-224 VW-1
- ENCAPSULATED TO MIL-PRF-27 AVAILABLE, SEE RENCO RL-1324 SERIES
- CENTER HOLE FOR MECHANICAL MOUNTING
- SPACER AVAILABLE AT ADDITIONAL COST TO FACILITATE PC BOARD WASHING
- NON-LISTED VALUES AVAILABLE ON REQUEST



**RENCO ELECTRONICS INC.**

595 International Place, Rockledge, FL 32955-4200 USA • www.rencousa.com • ISO 9001 Certified  
Toll Free Engineering Hot Line: 800.645.5828 • P: 321.637.1000 • F: 321.637.1600



# RL-1256-4, RL-1256-5

RL-1256-4 Renco Part No.	Inductance ( $\mu$ H)	DCR Max. (Ohms)	Isat (A)	Irms (A)	Dimension "E" Approx. Inches (mm)	Pin Dimension Approx. Inches (mm)
RL-1256-4-3300	3300.0	0.773	3.4	2.8	1.062 (26.97)	0.031 (0.79)
RL-1256-4-3900	3900.0	0.845	3.1	2.8	1.125 (28.58)	0.031 (0.79)
RL-1256-4-4700	4700.0	1.14	2.9	2.0	1.11 (28.19)	0.028 (0.71)
RL-1256-4-5600	5600.0	1.60	2.5	2.0	1.11 (28.19)	0.028 (0.71)
RL-1256-4-6800	6800.0	1.76	2.3	1.6	1.11 (28.19)	0.025 (0.64)
RL-1256-4-8200	8200.0	1.95	2.0	1.6	1.16 (29.46)	0.025 (0.64)
RL-1256-4-10000	10000.0	2.76	1.8	1.3	1.16 (29.46)	0.022 (0.56)
RL-1256-4-12000	12000.0	3.04	1.7	1.3	1.16 (29.46)	0.022 (0.56)
RL-1256-4-15000	15000.0	3.39	1.5	1.3	1.16 (29.46)	0.022 (0.56)

RL-1256-5 Renco Part No.	Inductance ( $\mu$ H)	DCR Max. (Ohms)	Isat (A)	Irms (A)	Dimension "E" Approx. Inches (mm)	Pin Dimension Approx. Inches (mm)
RL-1256-5-1.8	1.8	0.002	155.0	35.0	1.11 (28.19)	0.105 (2.67)
RL-1256-5-2.2	2.2	0.002	155.0	35.0	1.11 (28.19)	0.105 (2.67)
RL-1256-5-2.7	2.7	0.002	125.0	35.0	1.11 (28.19)	0.105 (2.67)
RL-1256-5-3.3	3.3	0.002	125.0	35.0	1.11 (28.19)	0.105 (2.67)
RL-1256-5-3.9	3.9	0.003	102.0	35.0	1.11 (28.19)	0.105 (2.67)
RL-1256-5-4.7	4.7	0.003	87.0	35.0	1.11 (28.19)	0.105 (2.67)
RL-1256-5-5.6	5.6	0.003	87.0	35.0	1.11 (28.19)	0.105 (2.67)
RL-1256-5-6.8	6.8	0.003	87.0	35.0	1.11 (28.19)	0.105 (2.67)
RL-1256-5-8.2	8.2	0.003	76.0	35.0	1.11 (28.19)	0.105 (2.67)
RL-1256-5-10	10.0	0.004	67.0	35.0	1.11 (28.19)	0.105 (2.67)
RL-1256-5-12	12.0	0.004	60.0	35.0	1.16 (29.46)	0.105 (2.67)
RL-1256-5-15	15.0	0.005	49.0	35.0	1.16 (29.46)	0.105 (2.67)
RL-1256-5-18	18.0	0.007	45.0	27.0	1.16 (29.46)	0.094 (2.39)
RL-1256-5-22	22.0	0.007	42.0	27.0	1.16 (29.46)	0.094 (2.39)
RL-1256-5-27	27.0	0.008	35.0	27.0	1.16 (29.46)	0.094 (2.39)
RL-1256-5-33	33.0	0.009	34.0	27.0	1.16 (29.46)	0.094 (2.39)
RL-1256-5-39	39.0	0.010	30.0	27.0	1.16 (29.46)	0.094 (2.39)
RL-1256-5-47	47.0	0.011	28.0	27.0	1.16 (29.46)	0.094 (2.39)
RL-1256-5-56	56.0	0.013	26.0	21.0	1.16 (29.46)	0.084 (2.13)
RL-1256-5-68	68.0	0.015	23.0	21.0	1.25 (31.75)	0.084 (2.13)

RL-1256-5 TABLE CONTINUES ON FOLLOWING PAGE

**NOTES:**

1. INDUCTANCE  $\pm$  10% TESTED AT 10 kHz , 0.1 Vrms, VALUES BELOW 10 $\mu$ H ARE  $\pm$  20%
2. 500 VOLTS DC HIPOT FOR 1 MINUTE (WINDING TO I.D. OF CORE)
3. ELECTRICAL SPECIFICATIONS MEASURED AT 25°C
4. Isat - DC CURRENT THAT WILL CAUSE INDUCTANCE TO DROP BY 5%
5. Irms - CURRENT THAT CAUSES THE TEMPERATURE TO RISE APPROX. 40°C ABOVE AMBIENT OF 25°C
6. LEADS FOR PC MOUNTING TINNED TO WITHIN 1/16" OF BODY
7. PART FINISHED WITH 135°C POLYOLEFIN SLEEVING THAT MEETS UL-224 VW-1
8. ENCAPSULATED TO MIL-PRF-27 AVAILABLE, SEE RENCO RL-1324 SERIES
9. CENTER HOLE FOR MECHANICAL MOUNTING
10. SPACER AVAILABLE AT ADDITIONAL COST TO FACILITATE PC BOARD WASHING
11. NON-LISTED VALUES AVAILABLE ON REQUEST



**RENCO ELECTRONICS INC.**

595 International Place, Rockledge, FL 32955-4200 USA • www.rencousa.com • ISO 9001 Certified  
Toll Free Engineering Hot Line: 800.645.5828 • P: 321.637.1000 • F: 321.637.1600





# RL-1256-5

RL-1256-5 Renco Part No.	Inductance ( $\mu$ H)	DCR Max. (Ohms)	Isat (A)	Irms (A)	Dimension "E" Approx. Inches (mm)	Pin Dimension Approx. Inches (mm)
RL-1256-5-82	82.0	0.017	20.0	21.0	1.28 (32.51)	0.084 (2.13)
RL-1256-5-100	100.0	0.018	19.0	21.0	1.25 (31.75)	0.084 (2.13)
RL-1256-5-120	120.0	0.022	18.0	17.0	1.16 (29.46)	0.075 (1.90)
RL-1256-5-150	150.0	0.025	16.0	17.0	1.16 (29.46)	0.075 (1.90)
RL-1256-5-180	180.0	0.035	14.0	13.5	1.10 (27.94)	0.068 (1.72)
RL-1256-5-220	220.0	0.040	13.0	13.5	1.10 (27.94)	0.068 (1.72)
RL-1256-5-270	270.0	0.044	11.0	13.5	1.10 (27.94)	0.068 (1.72)
RL-1256-5-330	330.0	0.049	10.0	13.5	1.11 (28.19)	0.068 (1.72)
RL-1256-5-390	390.0	0.070	9.7	11.4	1.15 (29.21)	0.060 (1.52)
RL-1256-5-470	470.0	0.078	8.8	11.4	1.07 (27.18)	0.060 (1.52)
RL-1256-5-560	560.0	0.105	8.1	9.0	1.07 (27.18)	0.054 (1.37)
RL-1256-5-680	680.0	0.115	7.4	9.0	1.07 (27.18)	0.054 (1.37)
RL-1256-5-820	820.0	0.127	6.7	9.0	1.12 (28.45)	0.054 (1.37)
RL-1256-5-1000	1000.0	0.176	6.1	7.2	1.12 (28.45)	0.048 (1.22)
RL-1256-5-1200	1200.0	0.195	5.5	7.2	1.12 (28.45)	0.048 (1.22)
RL-1256-5-1500	1500.0	0.274	5.0	5.5	1.12 (28.45)	0.043 (1.09)
RL-1256-5-1800	1800.0	0.302	4.5	5.5	1.13 (28.70)	0.043 (1.09)
RL-1256-5-2200	2200.0	0.338	4.1	5.5	1.16 (29.46)	0.043 (1.09)
RL-1256-5-2700	2700.0	0.459	3.7	4.5	1.02 (25.91)	0.039 (0.99)
RL-1256-5-3300	3300.0	0.642	3.4	4.0	1.02 (25.91)	0.035 (0.89)
RL-1256-5-3900	3900.0	0.699	3.0	4.0	1.14 (28.96)	0.035 (0.89)
RL-1256-5-4700	4700.0	0.775	2.8	4.0	1.14 (28.96)	0.035 (0.89)
RL-1256-5-5600	5600.0	0.843	2.6	4.0	1.14 (28.96)	0.035 (0.89)
RL-1256-5-6800	6800.0	1.15	2.3	2.8	1.06 (26.92)	0.031 (0.79)
RL-1256-5-8200	8200.0	1.26	2.1	2.8	1.16 (29.46)	0.031 (0.79)
RL-1256-5-10000	10000.0	1.74	1.9	2.0	1.13 (28.70)	0.028 (0.71)
RL-1256-5-12000	12000.0	1.92	1.7	2.0	1.13 (28.70)	0.028 (0.71)
RL-1256-5-15000	15000.0	2.17	1.5	2.0	1.13 (28.70)	0.028 (0.71)

**NOTES:**

1. INDUCTANCE  $\pm$  10% TESTED AT 10 kHz , 0.1 Vrms, VALUES BELOW 10 $\mu$ H ARE  $\pm$  20%
2. 500 VOLTS DC HIPOT FOR 1 MINUTE (WINDING TO I.D. OF CORE)
3. ELECTRICAL SPECIFICATIONS MEASURED AT 25°C
4. Isat - DC CURRENT THAT WILL CAUSE INDUCTANCE TO DROP BY 5%
5. Irms - CURRENT THAT CAUSES THE TEMPERATURE TO RISE APPROX. 40°C ABOVE AMBIENT OF 25°C
6. LEADS FOR PC MOUNTING TINNED TO WITHIN 1/16" OF BODY
7. PART FINISHED WITH 135°C POLYOLEFIN SLEEVING THAT MEETS UL-224 VW-1
8. ENCAPSULATED TO MIL-PRF-27 AVAILABLE, SEE RENCO RL-1324 SERIES
9. CENTER HOLE FOR MECHANICAL MOUNTING
10. SPACER AVAILABLE AT ADDITIONAL COST TO FACILITATE PC BOARD WASHING
11. NON-LISTED VALUES AVAILABLE ON REQUEST



**RENCO ELECTRONICS INC.**

595 International Place, Rockledge, FL 32955-4200 USA • www.rencousa.com • ISO 9001 Certified  
Toll Free Engineering Hot Line: 800.645.5828 • P: 321.637.1000 • F: 321.637.1600





# RL-1256-6

RL-1256-6 Renco Part No.	Inductance ( $\mu$ H)	DCR Max. (Ohms)	Isat (A)	Irms (A)	Dimension "E" Approx. Inches (mm)	Pin Dimension Approx. Inches (mm)
RL-1256-6-4.7	4.7	0.002	149.9	35.0	1.40 (35.56)	0.105 (2.67)
RL-1256-6-5.6	5.6	0.002	122.7	35.0	1.40 (35.56)	0.105 (2.67)
RL-1256-6-6.8	6.8	0.003	103.8	35.0	1.40 (35.56)	0.105 (2.67)
RL-1256-6-8.2	8.2	0.003	90.0	35.0	1.40 (35.56)	0.105 (2.67)
RL-1256-6-10	10.0	0.003	79.4	35.0	1.48 (37.59)	0.105 (2.67)
RL-1256-6-12	12.0	0.004	71.0	35.0	1.48 (37.59)	0.105 (2.67)
RL-1256-6-15	15.0	0.004	64.3	35.0	1.48 (37.59)	0.105 (2.67)
RL-1256-6-18	18.0	0.005	58.7	35.0	1.48 (37.59)	0.105 (2.67)
RL-1256-6-22	22.0	0.005	54.0	35.0	1.48 (37.59)	0.105 (2.67)
RL-1256-6-27	27.0	0.006	50.0	35.0	1.48 (37.59)	0.105 (2.67)
RL-1256-6-33	33.0	0.006	46.5	35.0	1.48 (37.59)	0.105 (2.67)
RL-1256-6-39	39.0	0.006	43.5	35.0	1.48 (37.59)	0.105 (2.67)
RL-1256-6-47	47.0	0.008	40.9	35.0	1.48 (37.59)	0.105 (2.67)
RL-1256-6-56	56.0	0.009	36.5	35.0	1.48 (37.59)	0.105 (2.67)
RL-1256-6-68	68.0	0.009	32.9	35.0	1.48 (37.59)	0.105 (2.67)
RL-1256-6-82	82.0	0.010	30.0	35.0	1.48 (37.59)	0.105 (2.67)
RL-1256-6-100	100.0	0.014	26.5	27.0	1.53 (38.86)	0.094 (2.39)
RL-1256-6-120	120.0	0.015	24.5	27.0	1.53 (38.86)	0.094 (2.39)
RL-1256-6-150	150.0	0.023	21.4	21.0	1.49 (37.85)	0.084 (2.13)
RL-1256-6-180	180.0	0.025	19.5	21.0	1.49 (37.85)	0.084 (2.13)
RL-1256-6-220	220.0	0.028	18.0	21.0	1.49 (37.85)	0.084 (2.13)
RL-1256-6-270	270.0	0.030	16.2	21.0	1.49 (37.85)	0.084 (2.13)
RL-1256-6-330	330.0	0.040	14.8	17.0	1.31 (33.27)	0.075 (1.90)
RL-1256-6-390	390.0	0.055	13.6	13.5	1.31 (33.27)	0.068 (1.73)
RL-1256-6-470	470.0	0.061	12.3	13.5	1.31 (33.27)	0.068 (1.73)
RL-1256-6-560	560.0	0.068	11.3	13.5	1.40 (33.56)	0.068 (1.73)
RL-1256-6-680	680.0	0.094	10.3	11.4	1.42 (36.07)	0.060 (1.52)
RL-1256-6-820	820.0	0.104	9.4	11.4	1.42 (36.07)	0.060 (1.52)

RL-1256-6 TABLE CONTINUES ON FOLLOWING PAGE

**NOTES:**

1. INDUCTANCE  $\pm$  10% TESTED AT 10 kHz , 0.1 Vrms, VALUES BELOW 10 $\mu$ H ARE  $\pm$  20%
2. 500 VOLTS DC HIPOT FOR 1 MINUTE (WINDING TO I.D. OF CORE)
3. ELECTRICAL SPECIFICATIONS MEASURED AT 25°C
4. Isat - DC CURRENT THAT WILL CAUSE INDUCTANCE TO DROP BY 5%
5. Irms - CURRENT THAT CAUSES THE TEMPERATURE TO RISE APPROX. 40°C ABOVE AMBIENT OF 25°C
6. LEADS FOR PC MOUNTING TINNED TO WITHIN 1/16" OF BODY
7. PART FINISHED WITH 135°C POLYOLEFIN SLEEVING THAT MEETS UL-224 VW-1
8. ENCAPSULATED TO MIL-PRF-27 AVAILABLE, SEE RENCO RL-1324 SERIES
9. CENTER HOLE FOR MECHANICAL MOUNTING
10. SPACER AVAILABLE AT ADDITIONAL COST TO FACILITATE PC BOARD WASHING
11. NON-LISTED VALUES AVAILABLE ON REQUEST



**RENCO ELECTRONICS INC.**

595 International Place, Rockledge, FL 32955-4200 USA • www.rencousa.com • ISO 9001 Certified  
Toll Free Engineering Hot Line: 800.645.5828 • P: 321.637.1000 • F: 321.637.1600



# RL-1256-6, RL-1256-7

RL-1256-6 Renco Part No.	Inductance ( $\mu$ H)	DCR Max. (Ohms)	Isat (A)	Irms (A)	Dimension "E" Approx. Inches (mm)	Pin Dimension Approx. Inches (mm)
RL-1256-6-1000	1000.0	0.143	8.5	9.0	1.36 (34.54)	0.054 (1.37)
RL-1256-6-1200	1200.0	0.156	7.7	9.0	1.36 (34.54)	0.054 (1.37)
RL-1256-6-1500	1500.0	0.219	6.8	7.2	1.31 (33.27)	0.048 (1.22)
RL-1256-6-1800	1800.0	0.241	6.3	7.2	1.31 (33.27)	0.048 (1.22)
RL-1256-6-2200	2200.0	0.270	5.7	7.2	1.40 (35.56)	0.048 (1.22)
RL-1256-6-2700	2700.0	0.364	5.1	5.5	1.36 (34.54)	0.043 (1.09)
RL-1256-6-3300	3300.0	0.498	4.6	4.5	1.24 (31.50)	0.039 (0.99)
RL-1256-6-3900	3900.0	0.548	4.2	4.5	1.32 (33.53)	0.039 (0.99)
RL-1256-6-4700	4700.0	0.608	3.9	4.5	1.32 (33.53)	0.039 (0.99)
RL-1256-6-5600	5600.0	0.671	3.5	4.5	1.36 (34.54)	0.039 (0.99)
RL-1256-6-6800	6800.0	0.750	3.2	4.5	1.40 (33.56)	0.039 (0.99)
RL-1256-6-8200	8200.0	1.03	2.9	4.0	1.45 (36.83)	0.035 (0.89)
RL-1256-6-10000	10000.0	1.16	2.6	4.0	1.45 (36.83)	0.035 (0.89)
RL-1256-6-12000	12000.0	1.54	2.4	2.8	1.40 (35.56)	0.031 (0.79)
RL-1256-6-15000	15000.0	1.75	2.2	2.8	1.40 (35.56)	0.031 (0.79)
RL-1256-6-18000	18000.0	1.94	2.0	2.8	1.45 (36.83)	0.028 (0.71)
RL-1256-6-22000	22000.0	2.74	1.8	2.0	1.37 (34.80)	0.028 (0.71)
RL-1256-6-27000	27000.0	3.71	1.6	1.7	1.37 (34.80)	0.025 (0.64)
RL-1256-6-33000	33000.0	4.16	1.5	1.7	1.37 (34.80)	0.025 (0.64)
RL-1256-6-39000	39000.0	5.56	1.4	1.4	1.35 (34.29)	0.025 (0.64)
RL-1256-6-47000	47000.0	6.19	1.2	1.4	1.35 (34.29)	0.022 (0.56)

RL-1256-7 Renco Part No.	Inductance ( $\mu$ H)	DCR Max. (Ohms)	Isat (A)	Irms (A)	Dimension "E" Approx. Inches (mm)	Pin Dimension Approx. Inches (mm)
RL-1256-7-5.6	5.60	0.0018	200.0	45.0	1.60 (40.64)	0.120 (3.05)
RL-1256-7-6.8	6.80	0.0021	163.0	45.0	1.60 (40.64)	0.120 (3.05)
RL-1256-7-8.2	8.20	0.0022	163.0	45.0	1.60 (40.64)	0.120 (3.05)
RL-1256-7-10	10.0	0.0024	138.0	45.0	1.60 (40.64)	0.120 (3.05)
RL-1256-7-12	12.0	0.0025	120.0	45.0	1.60 (40.64)	0.120 (3.05)
RL-1256-7-15	15.0	0.0028	105.0	42.0	1.70 (43.18)	0.120 (3.05)
RL-1256-7-18	18.0	0.0032	94.0	40.0	1.70 (43.18)	0.120 (3.05)
RL-1256-7-22	22.0	0.0036	85.0	38.0	1.70 (43.18)	0.120 (3.05)

## RL-1256-7 TABLE CONTINUES ON FOLLOWING PAGE

### NOTES:

- INDUCTANCE  $\pm$  10% TESTED AT 10 kHz , 0.1 Vrms, VALUES BELOW 10 $\mu$ H ARE  $\pm$  20%
- 500 VOLTS DC HIPOT FOR 1 MINUTE (WINDING TO I.D. OF CORE)
- ELECTRICAL SPECIFICATIONS MEASURED AT 25°C
- Isat - DC CURRENT THAT WILL CAUSE INDUCTANCE TO DROP BY 5%
- Irms - CURRENT THAT CAUSES THE TEMPERATURE TO RISE APPROX. 40°C ABOVE AMBIENT OF 25°C
- LEADS FOR PC MOUNTING TINNED TO WITHIN 1/16" OF BODY
- PART FINISHED WITH 135°C POLYOLEFIN SLEEVING THAT MEETS UL-224 VW-1
- ENCAPSULATED TO MIL-PRF-27 AVAILABLE, SEE RENCO RL-1324 SERIES
- CENTER HOLE FOR MECHANICAL MOUNTING
- SPACER AVAILABLE AT ADDITIONAL COST TO FACILITATE PC BOARD WASHING
- NON-LISTED VALUES AVAILABLE ON REQUEST



**RENCO ELECTRONICS INC.**

595 International Place, Rockledge, FL 32955-4200 USA • www.rencousa.com • ISO 9001 Certified  
Toll Free Engineering Hot Line: 800.645.5828 • P: 321.637.1000 • F: 321.637.1600



# RL-1256-7

RL-1256-7 Renco Part No.	Inductance ( $\mu$ H)	DCR Max. (Ohms)	Isat (A)	Irms (A)	Dimension "E" Approx. Inches (mm)	Pin Dimension Approx. Inches (mm)
RL-1256-7-27	27.0	0.0042	78.0	38.0	1.70 (43.18)	0.120 (3.05)
RL-1256-7-33	33.0	0.0045	72.0	37.0	1.70 (43.18)	0.120 (3.05)
RL-1256-7-39	39.0	0.0048	66.0	36.0	1.80 (45.72)	0.120 (3.05)
RL-1256-7-47	47.0	0.0057	58.0	35.0	1.80 (45.72)	0.120 (3.05)
RL-1256-7-56	56.0	0.0069	54.0	35.0	1.80 (45.72)	0.120 (3.05)
RL-1256-7-68	68.0	0.0078	48.0	35.0	1.80 (45.72)	0.120 (3.05)
RL-1256-7-82	82.0	0.0093	43.0	35.0	1.80 (45.72)	0.120 (3.05)
RL-1256-7-100	100.0	0.0103	40.0	27.0	1.80 (45.72)	0.120 (3.05)
RL-1256-7-120	120.0	0.0108	36.0	27.0	1.80 (45.72)	0.120 (3.05)
RL-1256-7-150	150.0	0.0120	32.0	25.0	1.80 (45.72)	0.120 (3.05)
RL-1256-7-180	180.0	0.0156	21.0	22.0	1.80 (45.72)	0.105 (2.67)
RL-1256-7-220	220.0	0.0168	28.0	22.0	1.80 (45.72)	0.105 (2.67)
RL-1256-7-270	270.0	0.0228	24.0	21.0	1.80 (45.72)	0.094 (2.39)
RL-1256-7-330	330.0	0.0300	23.0	17.0	1.80 (45.72)	0.084 (2.13)
RL-1256-7-390	390.0	0.0432	21.0	13.5	1.70 (43.18)	0.075 (1.90)
RL-1256-7-470	470.0	0.0456	19.7	13.5	1.70 (43.18)	0.075 (1.90)
RL-1256-7-560	560.0	0.0480	17.4	13.5	1.75 (44.45)	0.075 (1.90)
RL-1256-7-680	680.0	0.0516	15.9	12.0	1.80 (45.72)	0.075 (1.90)
RL-1256-7-820	820.0	0.0648	14.0	11.5	1.80 (45.72)	0.075 (1.90)
RL-1256-7-1000	1000.0	0.0936	12.7	10.0	1.75 (44.45)	0.068 (1.73)
RL-1256-7-1200	1200.0	0.1020	11.9	9.5	1.78 (45.21)	0.068 (1.73)
RL-1256-7-1500	1500.0	0.1176	10.9	8.0	1.80 (45.72)	0.068 (1.73)
RL-1256-7-1800	1800.0	0.1536	10.1	7.5	1.70 (43.18)	0.060 (1.52)
RL-1256-7-2200	2200.0	0.2160	8.9	7.2	1.70 (43.18)	0.054 (1.37)
RL-1256-7-2700	2700.0	0.2424	8.0	6.0	1.75 (44.45)	0.054 (1.37)
RL-1256-7-3300	3300.0	0.2640	7.1	5.5	1.80 (45.72)	0.054 (1.37)
RL-1256-7-3900	3900.0	0.3480	6.8	5.2	1.75 (44.45)	0.048 (1.22)
RL-1256-7-4700	4700.0	0.3924	6.1	5.0	1.78 (45.21)	0.048 (1.22)
RL-1256-7-5600	5600.0	0.4320	5.6	4.7	1.80 (45.72)	0.048 (1.22)
RL-1256-7-6800	6800.0	0.5940	5.0	4.5	1.70 (43.18)	0.043 (1.09)
RL-1256-7-8200	8200.0	0.6600	4.6	4.0	1.75 (44.45)	0.043 (1.09)
RL-1256-7-10000	10000.0	0.7560	4.0	4.0	1.80 (45.72)	0.043 (1.09)
RL-1256-7-12000	12000.0	0.9840	3.7	3.5	1.80 (45.72)	0.039 (0.99)

RL-1256-7 TABLE CONTINUES ON FOLLOWING PAGE

**NOTES:**

- INDUCTANCE  $\pm$  10% TESTED AT 10 kHz , 0.1 Vrms, VALUES BELOW 10 $\mu$ H ARE  $\pm$  20%
- 500 VOLTS DC HIPOT FOR 1 MINUTE (WINDING TO I.D. OF CORE)
- ELECTRICAL SPECIFICATIONS MEASURED AT 25°C
- Isat - DC CURRENT THAT WILL CAUSE INDUCTANCE TO DROP BY 5%
- Irms - CURRENT THAT CAUSES THE TEMPERATURE TO RISE APPROX. 40°C ABOVE AMBIENT OF 25°C
- LEADS FOR PC MOUNTING TINNED TO WITHIN 1/16" OF BODY
- PART FINISHED WITH 135°C POLYOLEFIN SLEEVING THAT MEETS UL-224 VW-1
- ENCAPSULATED TO MIL-PRF-27 AVAILABLE, SEE RENCO RL-1324 SERIES
- CENTER HOLE FOR MECHANICAL MOUNTING
- SPACER AVAILABLE AT ADDITIONAL COST TO FACILITATE PC BOARD WASHING
- NON-LISTED VALUES AVAILABLE ON REQUEST



**RENCO ELECTRONICS INC.**

595 International Place, Rockledge, FL 32955-4200 USA • www.rencousa.com • ISO 9001 Certified  
Toll Free Engineering Hot Line: 800.645.5828 • P: 321.637.1000 • F: 321.637.1600



# RL-1256-7, RL-1256-8

RL-1256-7 Renco Part No.	Inductance ( $\mu$ H)	DCR Max. (Ohms)	Isat (A)	Irms (A)	Dimension "E" Approx. Inches (mm)	Pin Dimension Approx. Inches (mm)
RL-1256-7-15000	15000.0	1.416	3.0	2.8	1.75 (44.45)	0.035 (0.89)
RL-1256-7-18000	18000.0	1.524	2.8	2.8	1.78 (45.21)	0.035 (0.89)
RL-1256-7-22000	22000.0	1.800	2.7	2.3	1.80 (45.72)	0.035 (0.89)
RL-1256-7-27000	27000.0	2.376	2.5	2.0	1.75 (44.45)	0.031 (0.79)
RL-1256-7-33000	33000.0	2.640	2.2	1.9	1.80 (45.72)	0.031 (0.79)
RL-1256-7-39000	39000.0	3.576	2.1	1.6	1.75 (44.45)	0.028 (0.71)
RL-1256-7-47000	47000.0	3.936	1.9	1.6	1.78 (45.21)	0.028 (0.71)
RL-1256-7-56000	56000.0	4.320	1.7	1.5	1.80 (45.72)	0.028 (0.71)
RL-1256-7-68000	68000.0	5.220	1.5	1.3	1.85 (46.99)	0.028 (0.71)

RL-1256-8 Renco Part No.	Inductance ( $\mu$ H)	DCR Max. (Ohms)	Isat (A)	Irms (A)	Dimension "E" Approx. Inches (mm)	Pin Dimension Approx. Inches (mm)
RL-1256-8-5.6	5.6	0.0012	233.0	55.0	*	0.225 (5.72)
RL-1256-8-6.8	6.8	0.0013	197.0	55.0	*	0.225 (5.72)
RL-1256-8-8.2	8.2	0.0015	171.0	55.0	*	0.225 (5.72)
RL-1256-8-10	10.0	0.0017	170.0	55.0	*	0.225 (5.72)
RL-1256-8-12	12.0	0.0020	150.0	55.0	*	0.225 (5.72)
RL-1256-8-15	15.0	0.0021	135.0	55.0	*	0.225 (5.72)
RL-1256-8-18	18.0	0.0023	122.0	55.0	*	0.225 (5.72)
RL-1256-8-22	22.0	0.0025	111.0	55.0	*	0.225 (5.72)
RL-1256-8-27	27.0	0.0026	102.0	55.0	*	0.225 (5.72)
RL-1256-8-33	33.0	0.0029	95.0	55.0	*	0.225 (5.72)
RL-1256-8-39	39.0	0.0033	83.0	55.0	*	0.225 (5.72)
RL-1256-8-47	47.0	0.0035	77.0	55.0	*	0.225 (5.72)
RL-1256-8-56	56.0	0.0039	69.0	55.0	*	0.225 (5.72)
RL-1256-8-68	68.0	0.0043	62.0	50.0	*	0.225 (5.72)
RL-1256-8-82	82.0	0.0048	57.0	45.0	*	0.210 (5.33)
RL-1256-8-100	100.0	0.0052	52.0	40.0	*	0.210 (5.33)
RL-1256-8-120	120.0	0.0071	48.0	39.0	*	0.210 (5.33)
RL-1256-8-150	150.0	0.0079	43.0	38.0	*	0.210 (5.33)
RL-1256-8-180	180.0	0.0087	39.0	37.0	*	0.210 (5.33)
RL-1256-8-220	220.0	0.0120	35.0	33.0	*	0.190 (4.83)

**RL-1256-8 TABLE CONTINUES ON FOLLOWING PAGE**

**\* INDUCTORS WOUND WITH 2 STRANDS OF WIRE. CONSULT ENGINEERING FOR DIMENSION.**

**NOTES:**

1. INDUCTANCE  $\pm$  10% TESTED AT 10 kHz , 0.1 Vrms, VALUES BELOW 10 $\mu$ H ARE  $\pm$  20%
2. 500 VOLTS DC HIPOT FOR 1 MINUTE (WINDING TO I.D. OF CORE)
3. ELECTRICAL SPECIFICATIONS MEASURED AT 25°C
4. Isat - DC CURRENT THAT WILL CAUSE INDUCTANCE TO DROP BY 5%
5. Irms - CURRENT THAT CAUSES THE TEMPERATURE TO RISE APPROX. 40°C ABOVE AMBIENT OF 25°C
6. LEADS FOR PC MOUNTING TINNED TO WITHIN 1/16" OF BODY
7. PART FINISHED WITH 135°C POLYOLEFIN SLEEVING THAT MEETS UL-224 VW-1
8. ENCAPSULATED TO MIL-PRF-27 AVAILABLE, SEE RENCO RL-1324 SERIES
9. CENTER HOLE FOR MECHANICAL MOUNTING
10. SPACER AVAILABLE AT ADDITIONAL COST TO FACILITATE PC BOARD WASHING
11. NON-LISTED VALUES AVAILABLE ON REQUEST



**RENCO ELECTRONICS INC.**

595 International Place, Rockledge, FL 32955-4200 USA • www.rencousa.com • ISO 9001 Certified  
Toll Free Engineering Hot Line: 800.645.5828 • P: 321.637.1000 • F: 321.637.1600



# RL-1256-8

RL-1256-8 Renco Part No.	Inductance ( $\mu$ H)	DCR Max. (Ohms)	Isat (A)	Irms (A)	Dimension "E" Approx. Inches (mm)	Pin Dimension Approx. Inches (mm)
RL-1256-8-270	270.0	0.014	32.0	30.0	*	0.190 (4.83)
RL-1256-8-330	330.0	0.018	29.0	27.0	1.80 (45.72)	0.120 (3.05)
RL-1256-8-390	390.0	0.020	27.0	25.0	1.70 (43.18)	0.120 (3.05)
RL-1256-8-470	470.0	0.028	24.0	21.0	1.70 (43.18)	0.105 (2.67)
RL-1256-8-560	560.0	0.031	22.0	20.0	1.75 (44.45)	0.105 (2.67)
RL-1256-8-680	680.0	0.034	20.0	19.0	1.80 (45.72)	0.105 (2.67)
RL-1256-8-820	820.0	0.047	18.0	16.0	1.80 (45.72)	0.094 (2.39)
RL-1256-8-1000	1000.0	0.052	16.0	15.5	1.75 (44.45)	0.094 (2.39)
RL-1256-8-1200	1200.0	0.057	15.0	15.0	1.78 (45.21)	0.094 (2.39)
RL-1256-8-1500	1500.0	0.080	13.0	13.0	1.80 (45.72)	0.084 (2.13)
RL-1256-8-1800	1800.0	0.088	12.0	12.0	1.70 (43.18)	0.084 (2.13)
RL-1256-8-2200	2200.0	0.122	11.0	10.0	1.70 (43.18)	0.075 (1.90)
RL-1256-8-2700	2700.0	0.135	10.0	10.0	1.75 (44.45)	0.075 (1.90)
RL-1256-8-3300	3300.0	0.188	9.0	8.0	1.80 (45.72)	0.068 (1.73)
RL-1256-8-3900	3900.0	0.205	8.0	8.0	1.75 (44.45)	0.068 (1.73)
RL-1256-8-4700	4700.0	0.283	7.7	6.7	1.78 (45.21)	0.060 (1.52)
RL-1256-8-5600	5600.0	0.309	7.0	6.4	1.80 (45.72)	0.060 (1.52)
RL-1256-8-6800	6800.0	0.431	6.4	5.4	1.70 (43.18)	0.054 (1.37)
RL-1256-8-8200	8200.0	0.472	5.8	5.2	1.75 (44.45)	0.054 (1.37)
RL-1256-8-10000	10000.0	0.521	5.2	5.0	1.80 (45.72)	0.054 (1.37)
RL-1256-8-12000	12000.0	0.717	4.8	4.2	1.80 (45.72)	0.048 (1.22)
RL-1256-8-15000	15000.0	0.803	4.3	4.0	1.75 (44.45)	0.048 (1.22)
RL-1256-8-18000	18000.0	1.111	3.9	3.4	1.78 (45.21)	0.043 (1.09)
RL-1256-8-22000	22000.0	1.228	3.5	3.2	1.80 (45.72)	0.043 (1.09)
RL-1256-8-27000	27000.0	1.716	3.2	2.7	1.75 (44.45)	0.039 (0.99)
RL-1256-8-33000	33000.0	1.896	2.9	2.6	1.80 (45.72)	0.039 (0.99)
RL-1256-8-39000	39000.0	2.590	2.6	2.3	1.75 (44.45)	0.035 (0.89)
RL-1256-8-47000	47000.0	2.840	2.4	2.2	1.78 (45.21)	0.035 (0.89)
RL-1256-8-56000	56000.0	3.104	2.2	2.1	1.80 (45.72)	0.035 (0.89)
RL-1256-8-68000	68000.0	4.331	2.0	1.7	1.85 (46.99)	0.031 (0.79)
RL-1256-8-82000	82000.0	4.756	1.8	1.6	1.90 (48.26)	0.031 (0.79)
RL-1256-8-100000	100000.0	6.652	1.6	1.4	1.95 (49.53)	0.028 (0.71)

\* INDUCTORS WOUND WITH 2 STRANDS OF WIRE. CONSULT ENGINEERING FOR DIMENSION.

## NOTES:

- INDUCTANCE  $\pm$  10% TESTED AT 10 kHz , 0.1 Vrms, VALUES BELOW 10 $\mu$ H ARE  $\pm$  20%
- 500 VOLTS DC HIPOT FOR 1 MINUTE (WINDING TO I.D. OF CORE)
- ELECTRICAL SPECIFICATIONS MEASURED AT 25°C
- Isat - DC CURRENT THAT WILL CAUSE INDUCTANCE TO DROP BY 5%
- Irms - CURRENT THAT CAUSES THE TEMPERATURE TO RISE APPROX. 40°C ABOVE AMBIENT OF 25°C
- LEADS FOR PC MOUNTING TINNED TO WITHIN 1/16" OF BODY
- PART FINISHED WITH 135°C POLYOLEFIN SLEEVING THAT MEETS UL-224 VW-1
- ENCAPSULATED TO MIL-PRF-27 AVAILABLE, SEE RENCO RL-1324 SERIES
- CENTER HOLE FOR MECHANICAL MOUNTING
- SPACER AVAILABLE AT ADDITIONAL COST TO FACILITATE PC BOARD WASHING
- NON-LISTED VALUES AVAILABLE ON REQUEST



**RENCO ELECTRONICS INC.**

595 International Place, Rockledge, FL 32955-4200 USA • www.rencousa.com • ISO 9001 Certified  
Toll Free Engineering Hot Line: 800.645.5828 • P: 321.637.1000 • F: 321.637.1600

