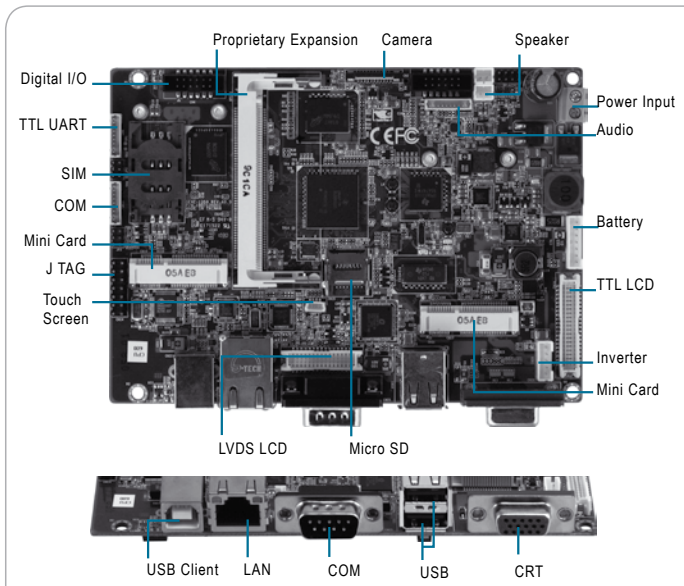


GENE-1350W2

RISC CPU Board With TI OMAP 3503/3530 Processors

01

Wide Temperature Boards



Features

- TI OMAP 3503/3530 Processors
- 3D Graphics & Video Accelerator Support with 3530 Processor
- Onboard 128/256 MB (Optional) LP DDR RAM
- 10/100Base-TX Ethernet
- CRT/ 24-bit TTL LCD/ 18-bit LVDS LCD
- 2CH Audio
- Onboard NAND Flash, SD, MicroSD
- USB2.0 Host x 2, USB2.0 Client x 1, COM x 2, 8-bit Digital I/O
- Mini Card x 2, Proprietary Expansion Slot x 1
- Onboard 4-wire Resistive Touch Screen Controller
- +9V To +24V DC Input
- Onboard Battery Charger
- Windows® CE 6.0/ Linux
- Less Than 3 Watt Power Consumption
- Operating Temperature -40°C ~ 80°C

Specifications

System	
Form Factor	3.5"
Processor	TI OMAP 3503/3530 600 MHz
System Memory	Onboard 128/256 MB (Optional) LP DDR RAM
Ethernet	Davicom DM9000AEP, 10/100Base-TX, RJ-45 x 1
Boot Loader	Microsoft Windows® CE 6.0 or Linux - Kernal 2.6.32
Watchdog Timer	Generate a time-out system reset
Expansion Interface	Mini Card (with USB interface only) x 2, Proprietary Expansion Slot x 1
Battery	Lithium battery
Battery Charger	Linear Tech LTC4100
Power Requirement	+9V to +24V DC
Power Consumption (Typical)	TI OMAP 3530, 128 MB LP DDR, 0.24A@+12V
Board Size	5.75"(L) x 4"(W) (146mm x 101.6mm)
Gross Weight	0.88 lb (0.4 kg)
Operating Temperature	-40°F ~176°F (-40°C ~ 80°C)
Storage Temperature	-40°F ~176°F (-40°C ~ 80°C)
Operating Humidity	0% ~ 90% relative humidity, non-condensing
MTBF (Hours)	100,000
Display	
Chipset	TI OMAP 3
Resolutions	Up to 1280 x 768 for LCD Up to 1024 x 768 for CRT
LCD Interface	Up to 18-bit single channel TTL/LVDS LCD
I/O	
Storage	256MB NAND Flash, SD, MicroSD
Serial Port	RS-232 x 1, RS-232/422/485 (auto flow) x 1, TTL UART x 1
Universal Serial Bus	USB2.0 Host x 2, USB2.0 Client x 1
Digital I/O	Supports 8-bit (Programmable)
Audio	Line-in, Line-out, Mic-in, Speaker-out (1W Amplifier)
Touch Screen	Supports 4-wire resistive touch screen
Keypad Interface	Supports 6 x 6 matrix keypad
Motion Sensor	ST LIS35DE



Board Packing List

- Product CD (Includes Manual)
- TF-GENE-1350W2-A10 Board & 9657666600 Jumper Cap

Board Ordering Information

- TBD

Optional Accessories

- TBD