

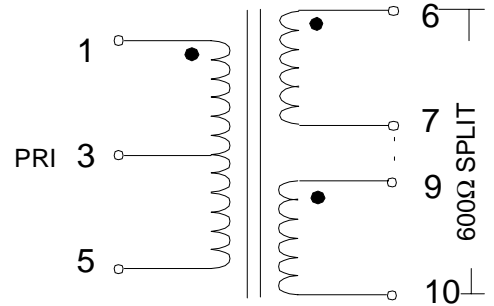
COUPLING TRANSFORMER

- Level: -45 dBm to +7 dbm
- Impedance Matching
± 10 % over entire frequency range
- Longitudinal Balance:
Per FCC 68.310

Electrical Specifications at 25°C

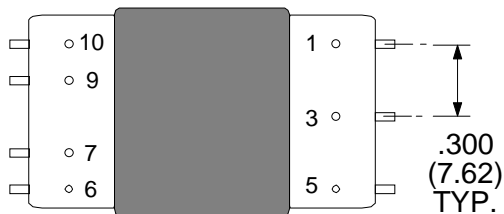
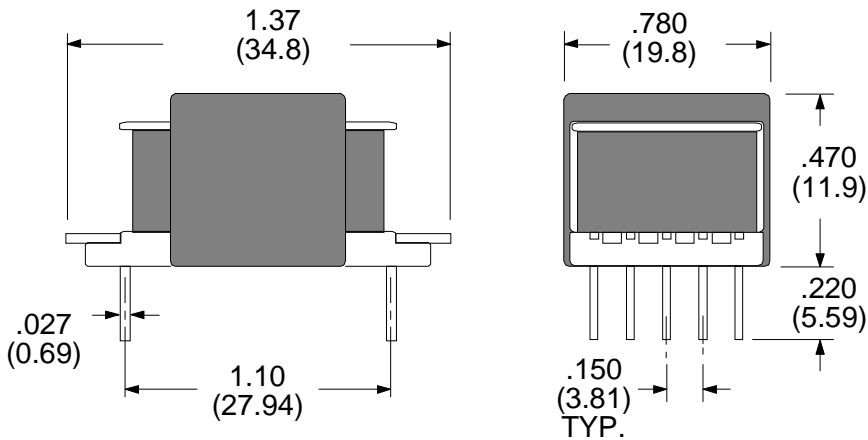
Parameter			Units
Impedance	PRI.	600 CT	Ω
Impedance	SEC.	600 Split	Ω
Pri. Unbalance		90	mA DC
Insertion Loss		1.8	dB
DC Resistance	PRI.	73	Ω
	SEC.	134	Ω
Frequency Response	300 Hz to 3.5 kHz	± 0.5	dB
Distortion	Max.	0.5	%
Isolation	minimum	1500	V _{RMS}

SCHEMATIC DIAGRAM:



PHYSICAL DIMENSIONS

All dimensions in inches (mm):



RHOMBUS INDUSTRIES INC. **FSCM NO. 16714**

RHOMBUS P/N: **T-1160**

CUST P/N:

NAME:

DATE: **8/01/98**

SHEET: 1 OF 1