

KR 2416 125 MHz Lowpass Filter

General Description

KR 2416 is a 125 MHz lowpass filter. Other passband frequencies are available. Please consult the factory.



Features

- Surface Mount Package
- Sharp 1.48:1 Transition to Stopband
- 50 dB Stopband
- 50 Ω Source and Load

Typical Performance

Passband Amplitude & Group Delay
(1 dB/div and 10 nsec/div)

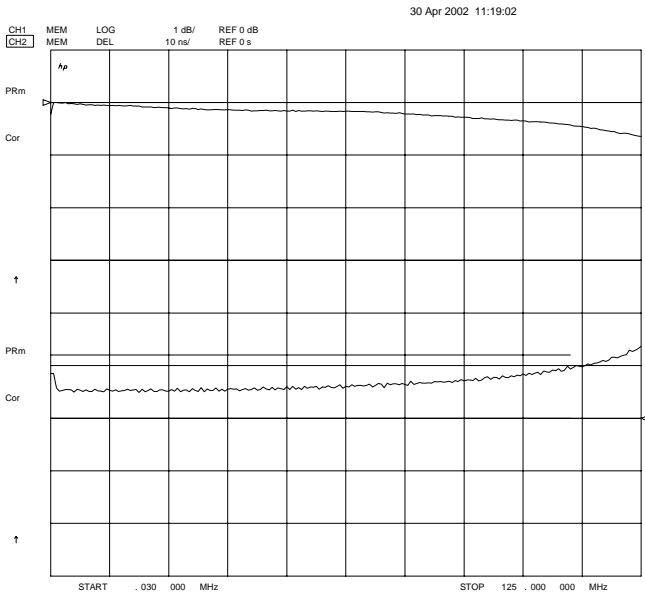


Figure 1

Overall Response
(10 dB/div)

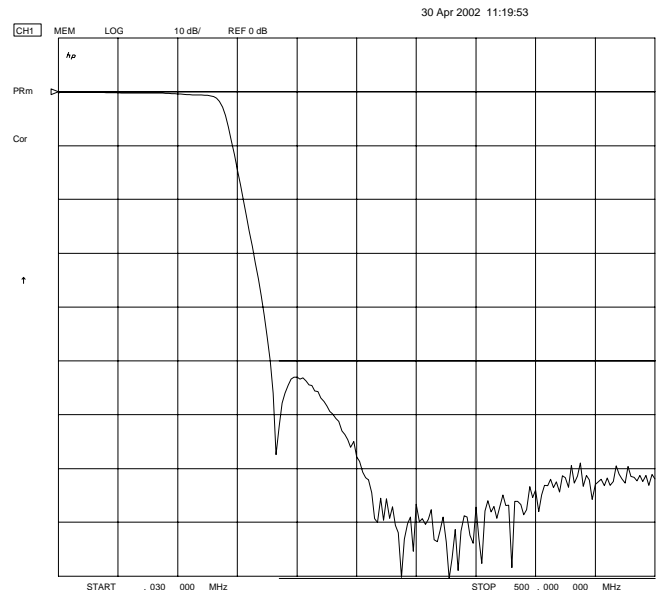


Figure 2

KR Electronics, Inc.
91 Avenel Street
Avenel, NJ 07001

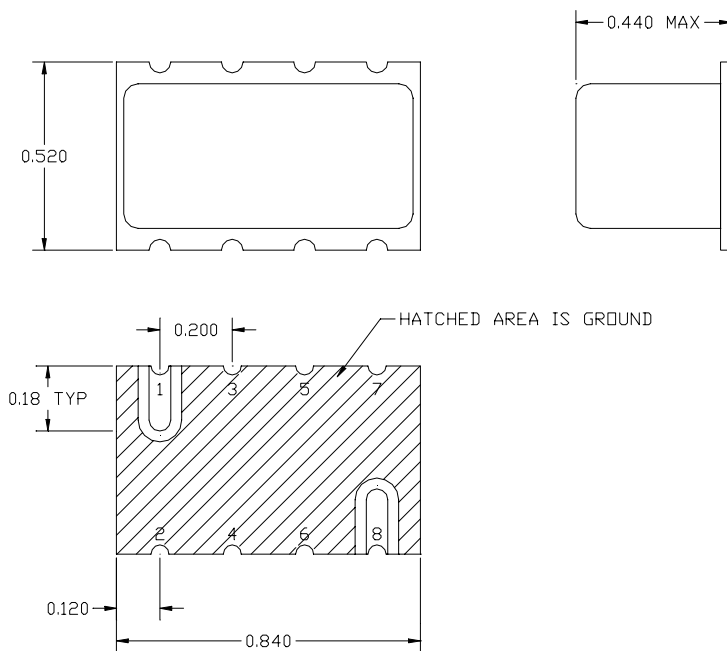
Web www.krfilters.com
Email sales@krfilters.com
Phone (732) 636-1900
Fax (732) 636-1982

KR 2416 Lowpass

Specifications

Parameter	Specification
Filter type	Lowpass
End of Passband (< 3 dB)	125 MHz
Start of Stopband	185 MHz
Stopband Attenuation	> 50 dB
Source & Load	50 Ω

Physical Dimensions



- NOTES:
 1. INPUT IS 1
 2. OUTPUT IS 8
 3. ALL OTHERS ARE GROUND

KR Electronics, Inc.
 91 Avenel Street
 Avenel, NJ 07001

Web www.krfilters.com
 Email sales@krfilters.com
 Phone (732) 636-1900
 Fax (732) 636-1982