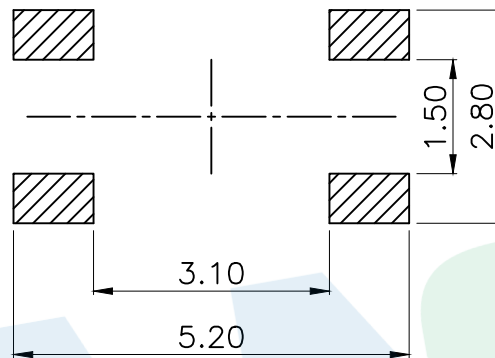
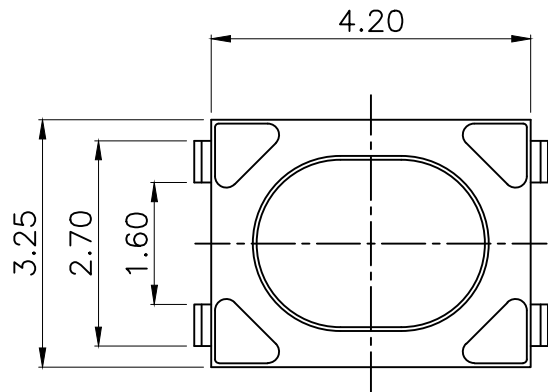
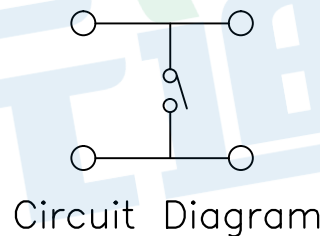
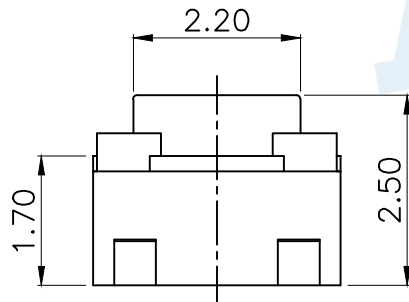
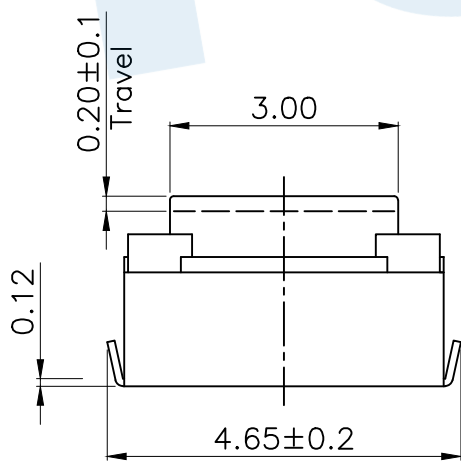
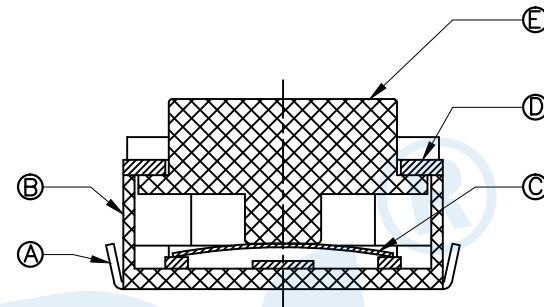


RoHS



PCB Layout(Pattern side)



SHRAPNEL	
CODE	MATERIAL/QTY
D2	SUS/1PCS
D4	SUS/2PCS

OPERATING FORCE	
CODE	VIGOR
B2	180±30gf
B3	250±30gf
B4	400±30gf

NO.	Name	Number	Qty	Materil	Remarks
⑤	Button		1	LCP	White
④	Cover		1	SUS	Silvering
③	Reed		1	SUS	Silver Covered
②	Base		1	LCP	White
①	Terminal		4	Phosphorus bronze	Silvering

YUANDI® Yuandi Electronics Co, Ltd

design	date	name	TACT SWITCHS
Review	date	model	TS-1070A-B□□□
Approved	date		

Drawing number: Proportion 1:1 unit mm gage number A4

angle	±2'
10~30	±0.30
5~10	±0.20
~ 5	±0.10

modify Review Approved Tolerance not specified