

This document is the property of Amphenol Corporation and is delivered on the express condition that it is not to be disclosed, reproduced or used, in whole or in part, for manufacture or sale by anyone other than Amphenol Corporation without its prior consent, and that no right is granted to disclose or to use any information in this document.

The marking on this product doesn't contain environmental hazardous material and must follow one or more specifications per Material Specification SS-00259 for Sony GP compliant or per directive 2011/65/EC for RoHS compliant or per IEC 61249-2-21 for Halogen Free compliant.



ORIGINAL

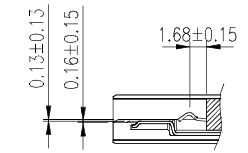
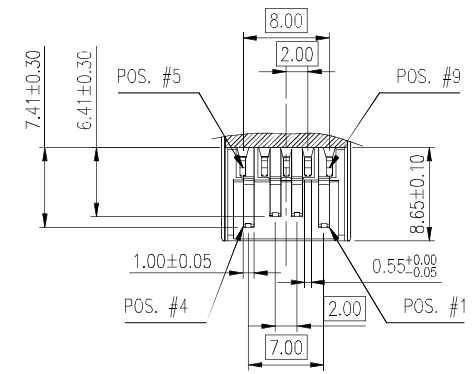
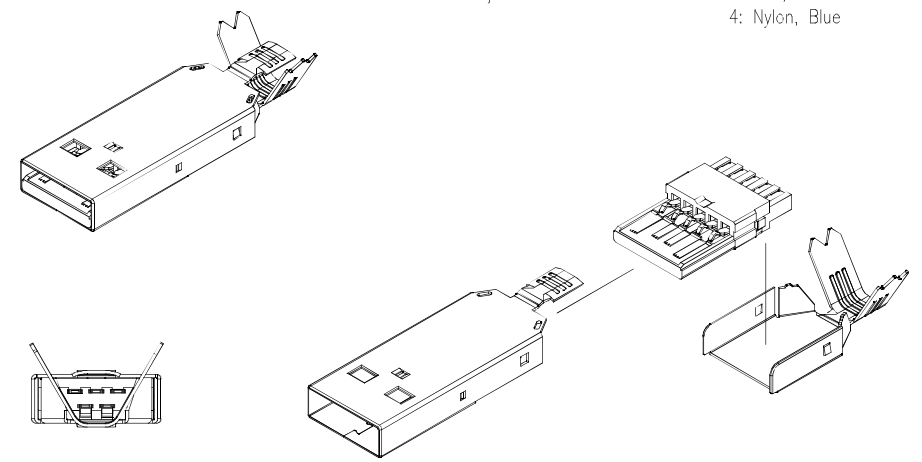
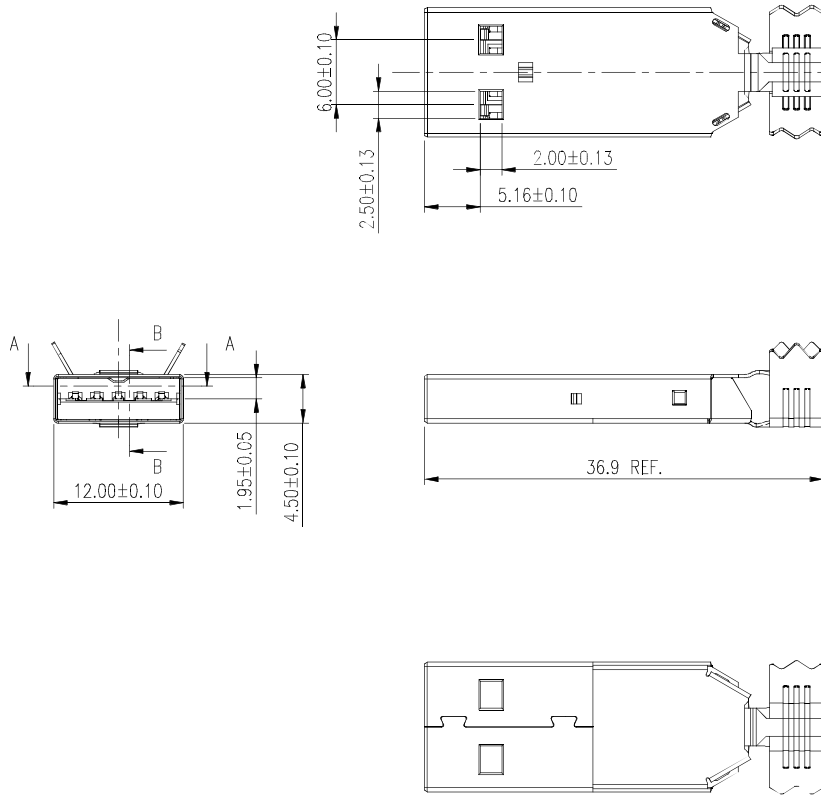


REVISIONS				
SYM	ECN No.	DESCRIPTION	DATE	BY
A	NE-14119	RELEASE TO PRODUCTION	06/20/2014	Sondra Sang

PART NUMBER:
GSB4 171 3 X HR

CONTACT FINISH
3: 30μ" GOLD

INSULATOR AND COLOR
1: LCP, Blue
4: Nylon, Blue



NOTES:

- HOUSING: HIGH TEMPERATURE THERMOPLASTIC, UL 94V-0, COLOR- BLUE
- USB TERMINAL: COPPER ALLOY, 0.25mm THICKNESS, 30μ" MIN. GOLD or 2μ" MIN. GOLD +30μ" MIN. Ni-Pd PLATED ON CONTACT AREA, 100μ" MIN. MATTE TIN ON SOLDERING TAIL, 50μ" MIN. NICKEL UNDER-PLATED OVERALL
- METAL SHELL: STAINLESS STEEL, 0.3mm THICKNESS
- THIS PRODUCT DOESN'T CONTAIN ENVIRONMENTAL HAZARDOUS MATERIALS PER DIRECTIVE 2011/65/EC FOR RoHS AND PER IEC 61249-2-21 FOR HALOGEN FREE COMPLIANT.

TOLERANCE	APPROVALS	DATE	TITLE			Amphenol®		
X. X.X ±0.30 X.XX ±0.20 X.XXX ±0.10	DRAWN Sondra Sang	6/20/2014	USB 3.1 CONNECTOR STANDARD A, PLUG CABLE TYPE, OVERMOLD			Amphenol Corporation Amphenol Taiwan Corporation		
	CHECKED Chenny Yeh	6/20/2014						
	APPROVED Hank Hsu	6/20/2014						
ANGULAR ±1°	DWG TYPE CUST DWG	PROJECT CODE T506	UNIT mm	SIZE A3	PART No. GSB4 171 XX HR			
UNLESS OTHERWISE SPECIFIED			SCALE NA	SHEET 1 OF 1	DWG No. GSB417131HR	REV. A		