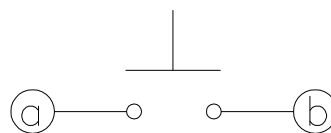
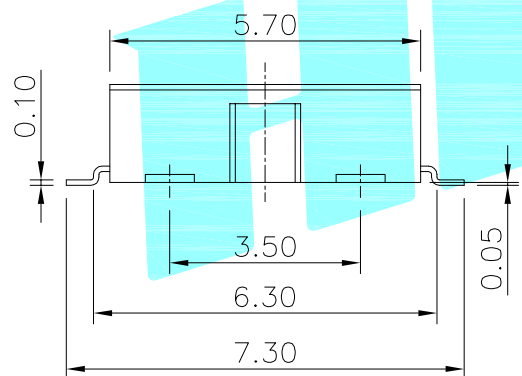


PCB Layout(Pattern side)



Circuit Diagram

NOTE:
 Rating: DC 30V 0.1A
 Operating Force: 20 ± 10 gf
 Lifetime: 50,000 Cycles

ITEM	PART NAME	TER'NO.	QTY.	MATERIAL	FINISHING	REMARK
⑤	Contact Spring	—	1	Be Alloy	Ag Plated	—
④	Terminal	—	2	Phosphor Bronze	Ag Plated	—
③	Cover	—	1	SUS	Natural	—
②	Housing	—	1	PA46	Black	—
①	Slider	—	1	PA46	Black	—

APPROVALS		DATE		HROELECTRONICS CO.,LTD		
DRAWN	J.X.Zhang	2013/8/26		ELECTRONICS CO.,LTD		
CHECKED				TITLE:	DETECTOR SWITCHES	
APPROVALS				PART NO.	K5-1617SA-02	
TOLERANCES ARE	30~以上	± 0.30	ANGLE	UNIT: mm	SCALE: 1:1	PROJ:
	10~30	± 0.20				
	5~10	± 0.15	$\pm 2'$	DRAWING NO.		SHEET 1 OF 1
	~ 5	± 0.10				

ECN NO.	REV.	DATE.	DESCRIPTION.	CHANGE.	CHECK.	APPRO.
—	A	—	NEW	—	—	—