

SP2T

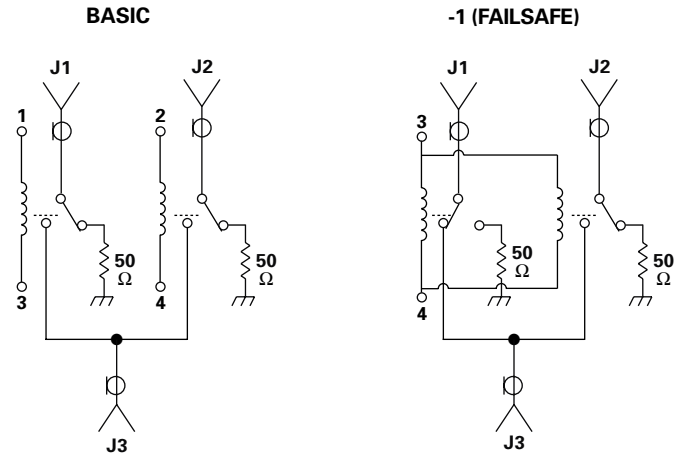
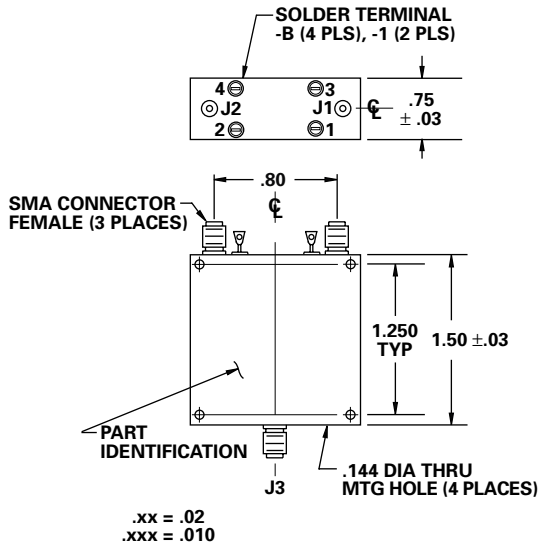
## FEATURES

- DC - 150 MHz
- 0.75 dB Insertion Loss
- 110 dB Isolation
- Non-Reflective
- SMA Connectors



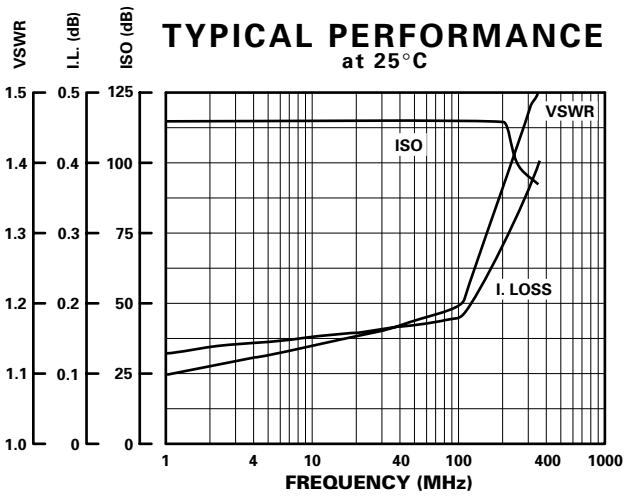
# MODEL NO. 100C0350

## SP2T Relay



## GUARANTEED PERFORMANCE

Parameter	Min	Typ	Max	Units	Conditions
Operating Frequency	DC		150	MHz	
DC Voltage					See Table
Insertion Loss		0.2	0.75	dB	
Isolation	100	110		dB	
VSWR	Thru	1.3/1	1.4/1		
Impedance		50		OHMS	
Switching Speed			3	mSEC	
RF Power	Operate		2.5	W	CW
Operating Temperature	-55	+25	+85	°C	TA



CONTROL VOLTAGE TABLE		
Voltage	Current - Typical	Failsafe
6	130 mA Per Throw	240
12	64 mA Per Throw	125
18	42 mA Per Throw	85
26	34 mA Per Throw	70

