

PLEASE CHECK WWW.MOLEX.COM FOR LATEST PART INFORMATION

Part Number: [0546420471](#)
Status: **Active**
Description: 0.80mm (.031") Pitch IEEE 1394a-2000 Shielded I/O PCB Socket, Right Angle, Mini Type, Reel, Lead-free

Documents:

[3D Model](#) [Product Specification PS-54642-015 \(PDF\)](#)
[Drawing \(PDF\)](#) [RoHS Certificate of Compliance \(PDF\)](#)

General

Product Family	I/O Connectors
Series	54642
Application	Wire-to-Board
Component Type	Receptacle
Product Name	IEEE 1394
Type	N/A

Physical

Boot Color	N/A
Circuits (Loaded)	4
Circuits (maximum)	4
Color - Resin	Black
Durability (mating cycles max)	500
Gender	Socket
Lock to Mating Part	Yes
Material - Metal	Phosphor Bronze
Material - Plating Mating	Gold, Tin
Material - Plating Termination	Tin
Material - Resin	High Temperature Thermoplastic
Number of Rows	1
Orientation	Right Angle
PC Tail Length (in)	0.079 In
PC Tail Length (mm)	2.00 mm
PCB Locator	Yes
PCB Retention	Yes
PCB Thickness Recommended (in)	0.031 In
PCB Thickness Recommended (mm)	0.80 mm
Packaging Type	Embossed Tape on Reel
Panel Mount	No
Pitch - Mating Interface (in)	0.031 In
Pitch - Mating Interface (mm)	0.80 mm
Pitch - Term. Interface (in)	0.031 In
Pitch - Term. Interface (mm)	0.80 mm
Plating min: Mating (µin)	30.4, 36
Plating min: Mating (µm)	0.76, 0.90
Plating min: Termination (µin)	120, 36
Plating min: Termination (µm)	0.90, 3
Polarized to Mating Part	Yes
Polarized to PCB	Yes
Ports	1
Surface Mount Compatible (SMC)	No
Temperature Range - Operating	-25°C to +85°C
Termination Interface: Style	Through Hole
Waterproof / Dustproof	No
Wire Size AWG	N/A

EU RoHS
ELV and RoHS
Compliant
REACH SVHC
 Not Reviewed
Halogen-Free
Status
Not Reviewed

China RoHS



Need more information on product environmental compliance?

Email productcompliance@molex.com
 For a multiple part number RoHS Certificate of Compliance, [click here](#)

Please visit the [Contact Us](#) section for any non-product compliance questions.

Search Parts in this Series
[54642Series](#)

Mates With
 IEEE1394 4Pin Plug

Electrical

Current - Maximum per Contact

0.5A

Shield Type

Full Shield

Shielded

Yes

Voltage - Maximum

5V AC (RMS)/DC

Material Info**Reference - Drawing Numbers**

Product Specification

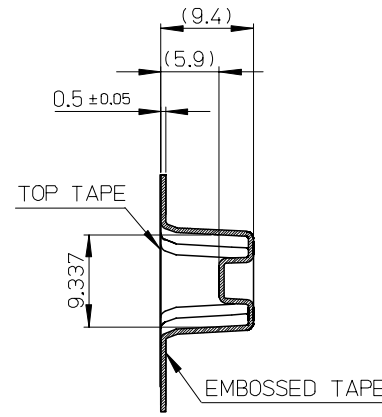
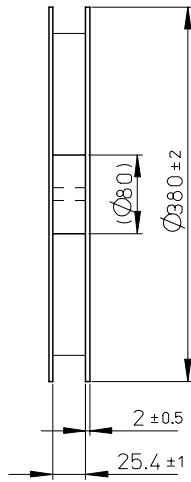
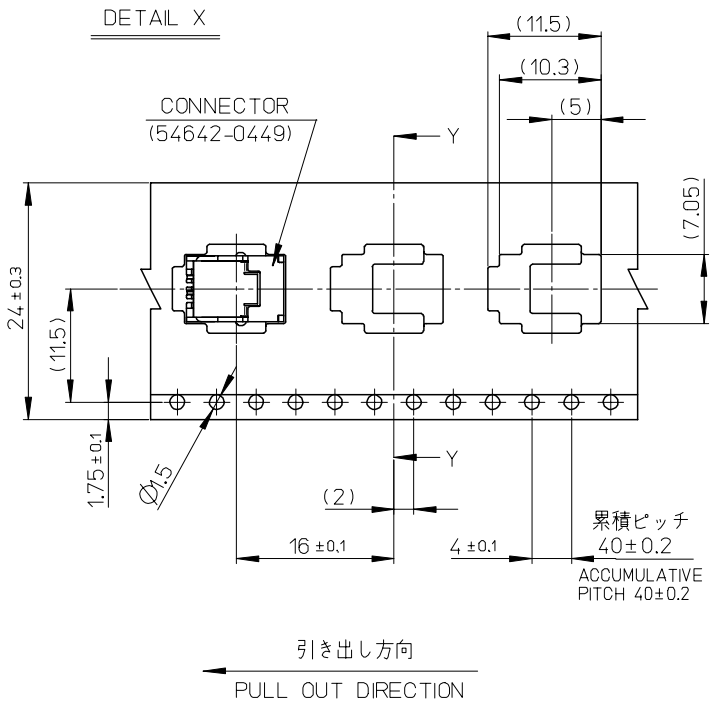
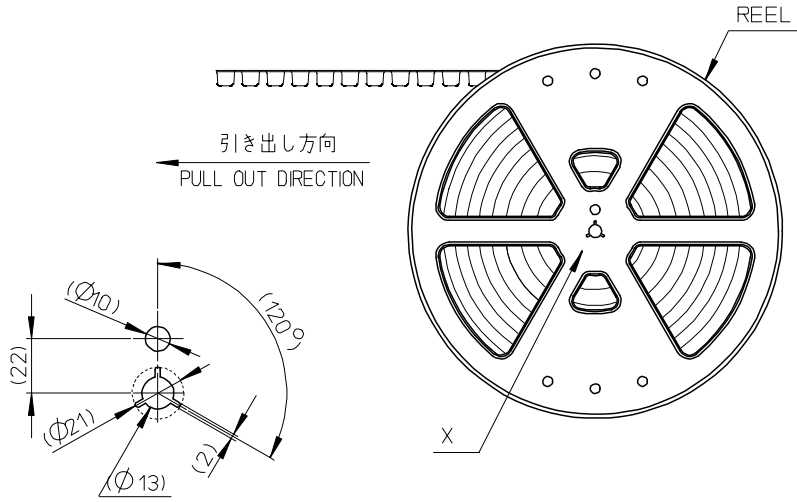
PS-54642-015

Sales Drawing

SD-54642-014, SD-54642-015

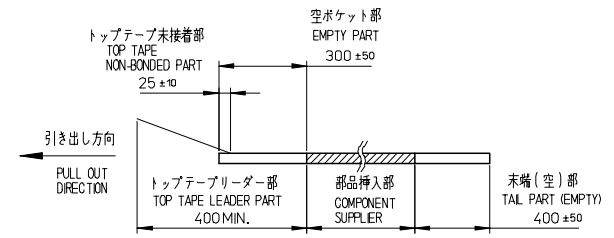
This document was generated on 04/19/2010

PLEASE CHECK WWW.MOLEX.COM FOR LATEST PART INFORMATION



注記
NOTES

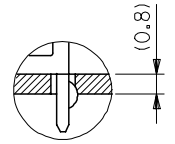
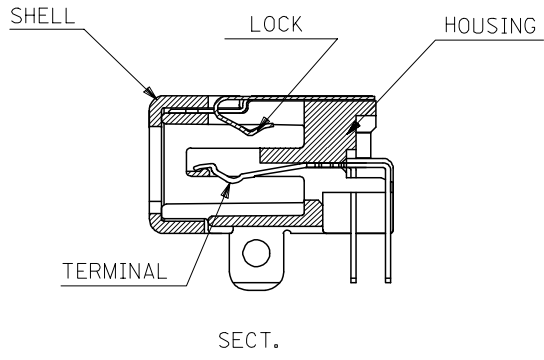
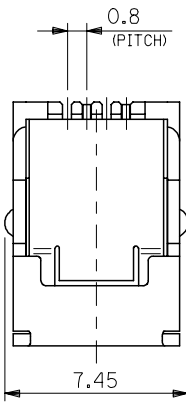
- 製品詳細寸法については製品単体図面参照。
DETAILED DIMENTION OF THIS PRODUCT, SEE PRODUCT DRAWING.
- 梱包数量：600 個／リール
NUMBER OF CONNECTORS：600 PCS/REEL
- リードテープ長さ
LEAD TAPE LENGTH



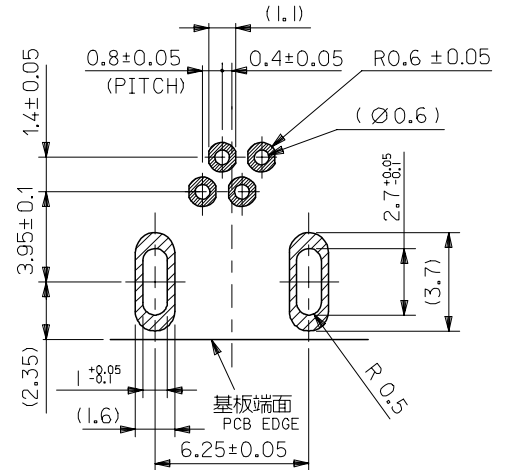
4. 材料 MATERIAL
- キャリアテープ：ポリスチレン
CARRIER TAPE：POLYSTYRENE
 - トップテープ：PET + その他
TOP TAPE：PET + OTHERS
 - リール：ポリスチレン<リサイクル材含む>
REEL：POLYSTYRENE<RECYCLE MATERIAL CONTAINED>

24mm	54642-0471	4
キャリアテープ幅 CARRIER TAPE WIDTH	製品番号 MATERIAL No.	極数 CIRCUIT

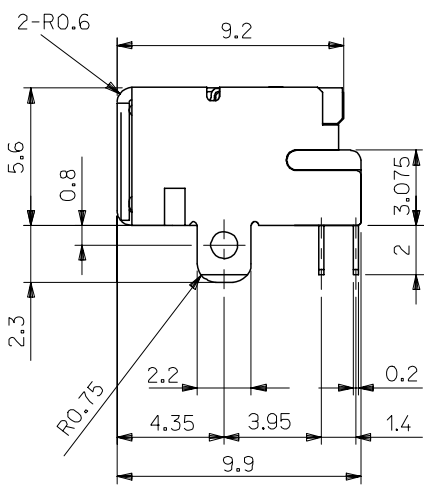
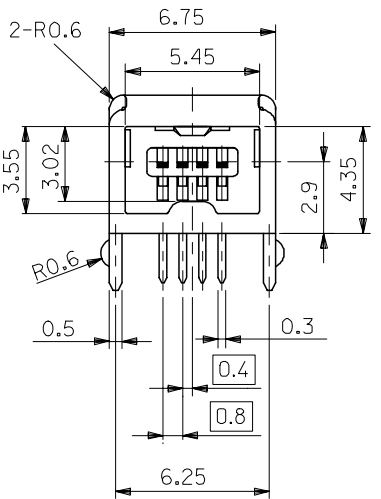
REVISED EC NO: J2008-0731 DRWNG: TENAGASE 2007/09/12 CHKD: MATSUMOTO 2007/09/14 APPR: NUKITA 2007/09/18	GENERAL TOLERANCES (UNLESS SPECIFIED)		DIMENSION STYLE MM ONLY		SCALE ---	DESIGN UNIT'S METRIC	THIRD ANGLE PROJECTION
	10 UNDER	± 0.2	DRAWN BY TENAGASE	DATE 06/05/15			
	10 OVER 30 UNDER	± 0.25	CHECKED BY THARUYAMA	DATE 06/05/15			
	30 OVER	± 0.3	APPROVED BY NUKITA	DATE 06/05/15			
ANGULAR	± 3 °	MATERIAL NO. 54642-***71	DOCUMENT NO. SD-54642-014	SHEET NO. 1 OF 1			
A	DRAFT WHERE APPLICABLE MUST REMAIN WITHIN DIMENSIONS		SIZE A3		THIS DRAWING CONTAINS INFORMATION THAT IS PROPRIETARY TO MOLEX INCORPORATED AND SHOULD NOT BE USED WITHOUT WRITTEN PERMISSION		



基板装着参考図 (シェル)
FIGURE OF MOUTING (SHELL)



推奨基板寸法(実装面)($t=0.8$)
REFERENCE USE ONLY PCB PATTERN LAYOUT ($t=0.8$)



注記
NOTES

- 材質
 - ハウジング: PA46, UL94V-0
 - HOUSING: PA46, UL94V-0
 - ターミナル: リン青銅 ($t=0.2$)
 - TERMINAL: PHOSPHOR BRONZE
 - メッキ 接点部: 金メッキ0.76 MICROMETER MIN.
 - PLATING CONTACT AREA: GOLD 0.76 MICROMETER MIN.
 - 半田付け部: 錫メッキ1 MICROMETER MIN.
 - SOLDER TAIL AREA: TIN-PLATING 1 MICROMETER MIN.
 - 下地メッキ: ニッケルメッキ2 MICROMETER MIN.
 - UNDER PLATING: NICKEL 2 MICROMETER MIN.
 - シェル: 鋼 ($t=0.5$)
 - SHELL: STEEL
 - メッキ 半田付け部: 錫メッキ1 MICROMETER MIN.
 - PLATING SOLDER TAIL AREA: TIN-PLATING 1 MICROMETER MIN.
 - 下地メッキ: ニッケルメッキ1.5 MICROMETER MIN.
 - UNDER PLATING: NICKEL 1.5 MICROMETER MIN.
 - ロック: リン青銅 ($t=0.15$)
 - LOCK: PHOSPHOR BRONZE
 - メッキ 錫メッキ0.9 MICROMETER MIN.
 - PLATING TIN-PLATING: 0.9 MICROMETER MIN.

2. ELV and RoHS Compliant.

54642-0449
MATERIAL No.
MODEL No. : 54642-**49

RELEASED EC NO: J2008-0731 DRWN: TENAGASE 2007/09/12 CHKD: HATSUMOTO 2007/09/14 APPR: NUKITA 2007/09/18	GENERAL TOLERANCES (UNLESS SPECIFIED)		DIMENSION STYLE MM ONLY		SCALE 5:1	DESIGN UNITS METRIC	THIRD ANGLE PROJECTION	
	10 UNDER	±0.2	DRAWN BY TENAGASE	DATE 07/09/12	TITLE 0.8 I/O CONN. SOCKET HOUSING ASS'Y			
	10 OVER 30 UNDER	±0.25	CHECKED BY HATSUMOTO	DATE 07/09/12				
	30 OVER	±0.3	APPROVED BY NUKITA	DATE 07/09/12				
	ANGULAR ±3 °		DRAFT WHERE APPLICABLE MUST REMAIN WITHIN DIMENSIONS		MATERIAL NO. 54642-**49	DOCUMENT NO. SD-54642-015	SHEET NO. 1 OF 1	
SIZE A3		THIS DRAWING CONTAINS INFORMATION THAT IS PROPRIETARY TO MOLEX INCORPORATED AND SHOULD NOT BE USED WITHOUT WRITTEN PERMISSION						