

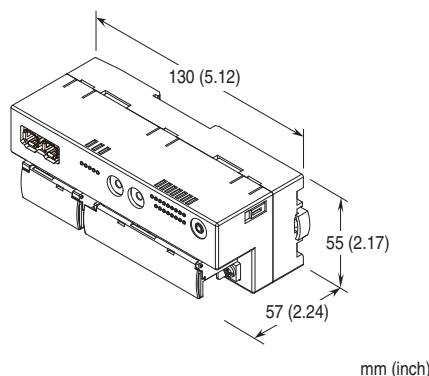
Remote I/O R7G4H Series

MECHATROLINK I/O MODULE

(high-speed DC current output, 4 points, isolated, screw terminal block, MECHATROLINK-III use)

Functions & Features

- 4 points high-speed DC current output for MECHATROLINK-III
- Easy parameter setting of individual channels with M-System's configurator software



MODEL: R7G4HML3-6-YSF4-R[1]

ORDERING INFORMATION

- Code number: R7G4HML3-6-YSF4-R[1]
Specify a code from below for [1].
(e.g. R7G4HML3-6-YSF4-R/Q)
- Specify the specification for option code /Q
(e.g. /C01/SET)

TERMINAL BLOCK

- 6: Screw terminal block for power supply
- Connector for MECHATROLINK-III
- Screw terminal block for I/O

I/O TYPE

YSF4: DC current output, high speed, 4 points

POWER INPUT

DC Power

R: 24 V DC

(Operational voltage range 24 V \pm 10 %, ripple 10 %p-p max.)

[1] OPTIONS

blank: none

/Q: Options other than the above (specify the specification)

SPECIFICATIONS OF OPTION: Q (multiple selections)

COATING (For the detail, refer to M-System's web site.)

/C01: Silicone coating

/C02: Polyurethane coating

/C03: Rubber coating

EX-FACTORY SETTING

/SET: Preset according to the Ordering Information Sheet (No. ESU-7772-YSF4)

RELATED PRODUCTS

- PC configurator software (model: R7CFG)

Downloadable at M-System's web site.

A dedicated cable is required to connect the module to the PC. Please refer to the internet software download site or the users manual for the PC configurator for applicable cable types.

GENERAL SPECIFICATIONS

Connection

MECHATROLINK-III: MECHATROLINK-III connector

Power input, output: M3 separable screw terminal (torque 0.5 N·m)

Solderless terminal: Refer to the drawing at the end of the section.

Recommended manufacturer: Japan Solderless Terminal MFG.Co.Ltd, Nichifu Co.,Ltd

Applicable wire size: 0.25 to 1.65 mm² (AWG 22 to 16)

Screw terminal: Nickel-plated steel

Housing material: Flame-resistant resin (gray)

Isolation: Output 0 to output 1 to output 2 to output 3 to MECHATROLINK or FE to power

Zero adjustments: Configurable via R7CFG

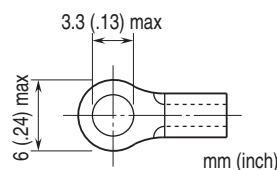
Span adjustments: Configurable via R7CFG

Output at the loss of communication: Configurable via R7CFG

Output reset value: Configurable via R7CFG

Status indicator LEDs: PWR, ERR, CON, LNK1, LNK2
(Refer to the instruction manual for details)

■Recommended solderless terminal



MECHATROLINK-III COMMUNICATION

Baud rate: 100 Mbps
Transmission distance: 6300 m max.
Distance between stations: 100 m max.
Transmission media: MECHATROLINK cable (Model JEPMC-W6013-x-E, Yaskawa Controls Co., Ltd.)
Connector: TYCO AMP Industrial mini I/O connector
Max. number of slaves: 62
 (The maximum number of slaves might change depending on the master unit. Refer to the manual of the master unit)
Transmission cycle: 125 μ sec., 250 μ sec., 500 μ sec., 1 - 64 msec. (with 1 msec. increments)
Communication cycle: 125 μ sec. through 64 msec.
Applicable profile: Standard I/O profile (cyclic communication)
 Event-driven communication acquiring ID profile (event-driven communication)
Transmission bytes: 16 bytes
Station address: 03H through EFH (set with rotary switches)
Cyclic communication: Available
Event-driven communication: Available
Slave monitoring: None

OUTPUT SPECIFICATIONS

Output range: 4 to 20 mA DC
Load resistance: \leq 550 Ω
Operational range: -15 to +115 % of output range

INSTALLATION

Current consumption
 •DC: Approx. 150 mA
Operating temperature: -10 to +55°C (14 to 131°F)
Storage temperature: -20 to +65°C (-4 to +149°F)
Operating humidity: 30 to 90 %RH (non-condensing)
Atmosphere: No corrosive gas or heavy dust
Mounting: Surface or DIN rail (35 mm rail)
Weight: 220 g (0.49 lb)

PERFORMANCE

Conversion accuracy: \pm 0.1 %
Conversion rate: 200 μ sec. per 4 channels
Data range: 0 - 10000 of the output range
Temp. coefficient: \pm 0.015 %/°C (\pm 0.008 %/°F)
Output delay time: \leq 250 μ sec. (0 - 90 %)
Insulation resistance: \geq 100 M Ω with 500 V DC
Isolation: 1500 V AC @ 1 minute
 (output 0 to output 1 to output 2 to output 3
 MECHATROLINK or FE to power)

STANDARDS & APPROVALS

EU conformity:
 EMC Directive
 EMI EN 61000-6-4
 EMS EN 61000-6-2
 RoHS Directive
 EN 50581

PC CONFIGURATOR

The following parameters can be set with using PC Configurator Software (model: R7CFG)
 Refer to the users manual for the R7CFG for detailed operation of the software program.

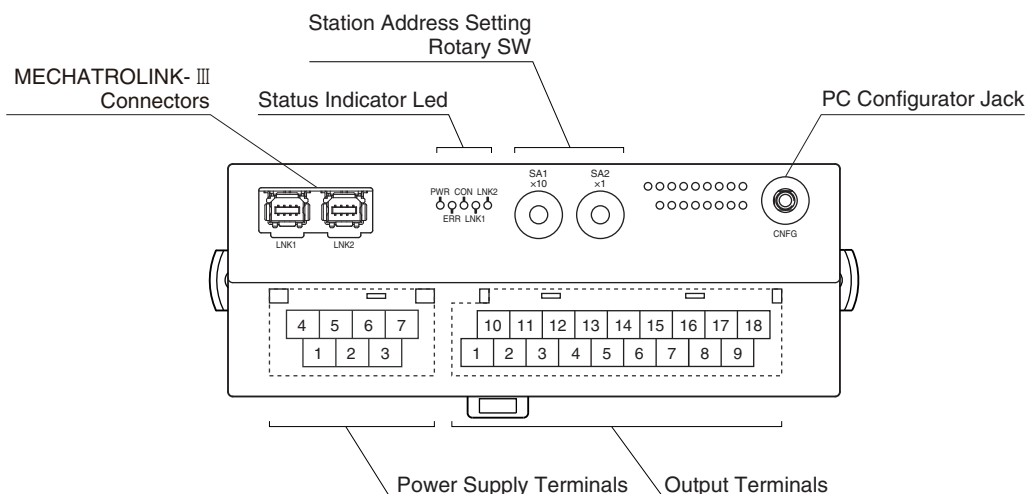
■ SETTINGS FOR INDIVIDUAL CHANNELS

PARAMETER	SETTING RANGE	DEFAULT SETTING
Validating/ Invalidating	Valid Invalid	Valid
Bias adjustment	-320.00 - +320.00 (%)	0.00 (%)
Gain adjustment	-3.2000 - +3.2000	1.0000
Zero scale	-32000 - +32000	0
Full scale	-32000 - +32000	10000
Output reset value	-15.00 - +115.00 (%)	-15.00 (%)

■ SETTINGS FOR ALL CHANNELS

PARAMETER	SETTING RANGE	DEFAULT SETTING
Setting indication for output function at the loss of communication	Hold the output Output reset value	Hold the output

EXTERNAL VIEW



TERMINAL ASSIGNMENTS

OUTPUT TERMINAL ASSIGNMENT

10	11	12	13	14	15	16	17	18
NC	I0	NC	I1	NC	I2	NC	I3	NC
1	2	3	4	5	6	7	8	9
NC	COM0	NC	COM1	NC	COM2	NC	COM3	NC

NO.	ID	FUNCTION	NO.	ID	FUNCTION
1	NC	No connection	10	NC	No connection
2	COM0	Common 0	11	I0	Current 0
3	NC	No connection	12	NC	No connection
4	COM1	Common 1	13	I1	Current 1
5	NC	No connection	14	NC	No connection
6	COM2	Common 2	15	I2	Current 2
7	NC	No connection	16	NC	No connection
8	COM3	Common 3	17	I3	Current 3
9	NC	No connection	18	NC	No connection

POWER SUPPLY TERMINAL ASSIGNMENT

4	5	6	7
NC	NC	+24V	0V
1	2	3	
NC	NC	FE	

- 1. NC
- 2. NC
- 3. FE Functional earth
- 4. NC
- 5. NC
- 6. +24V Power supply (24V DC)
- 7. 0V Power supply (0V)

MECHATROLINK RELATED COMMANDS

Commands available with the unit are as follow.

PROFILE	COMMAND	CODE	FUNCTION
Common command	NOP	00H	No operation command
	ID_RD	03H	Read ID command
	CONFIG	04H	Setup device command
	ALM_RD	05H	Read alarm or warning command
	ALM_CLR	06H	Clear alarm or warning command
	CONNECT	0EH	Establish connection command
	DISCONNECT	0FH	Release connection command
Standard I/O profile	DATA_RWA	20H	Transmit I/O data

DATA CONVERSION

■ OUTPUT RANGE AND DATA CONVERSION (FACTORY DEFAULT SETTING)

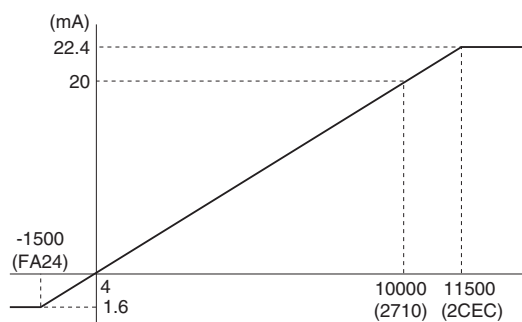
Digital output data is converted into analog representations of 0 – 100% proportional to each scaled range.

Overrange output is possible from -15 to +115% of the nominal range.

When the signal exceeds the limit, the data is fixed at -15% or +115%.

• Output Range 4 – 20 mA DC

Digital Value, Decimal	Digital Value, HEX	Output Value, Engineering Unit	Output value, %
-1500	FA24	≤ 1.6 mA	-15%
0	0	4 mA	0%
10000	2710	20 mA	100%
11500	2CEC	≥ 22.4 mA	115%



RESPONSE TIME

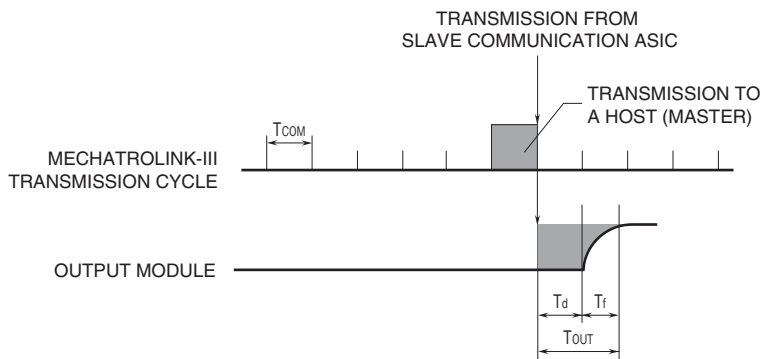
Response time of analog output module is time form when 0 to 100% stepwise signal change is received by the communication ASIC of the module (slave) till when the analog output signal reaches 90%.

T_{COM} : MECHATROLINK-III transmission cycle set at master
(depends on system and configuration)

T_{OUT} : Output module response time \leq Output internal processing delay time (T_d) (one minimum transmission cycle the unit can handle) + Conversion rate (T_e) + Output Delay time (T_f)

E.g.: MECHATROLINK-III transmission cycle of 1 msec.

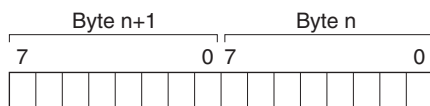
Output module response time (T_{OUT}): Output internal processing delay time (0.125 msec.) Conversion rate (0.2 msec.) + Output Delay time (0.25 msec.) = 0.575 [msec.]



I/O DATA DESCRIPTIONS

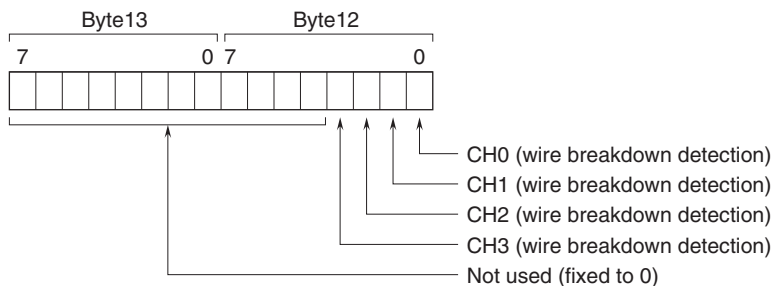
Scaling of analog output module is configurable with the configurator software (model: R7CFG). Refer to the software manual for details.

ANALOG OUTPUT



Data is represented in 16-bit binary. Negative value is represented in 2's complements.

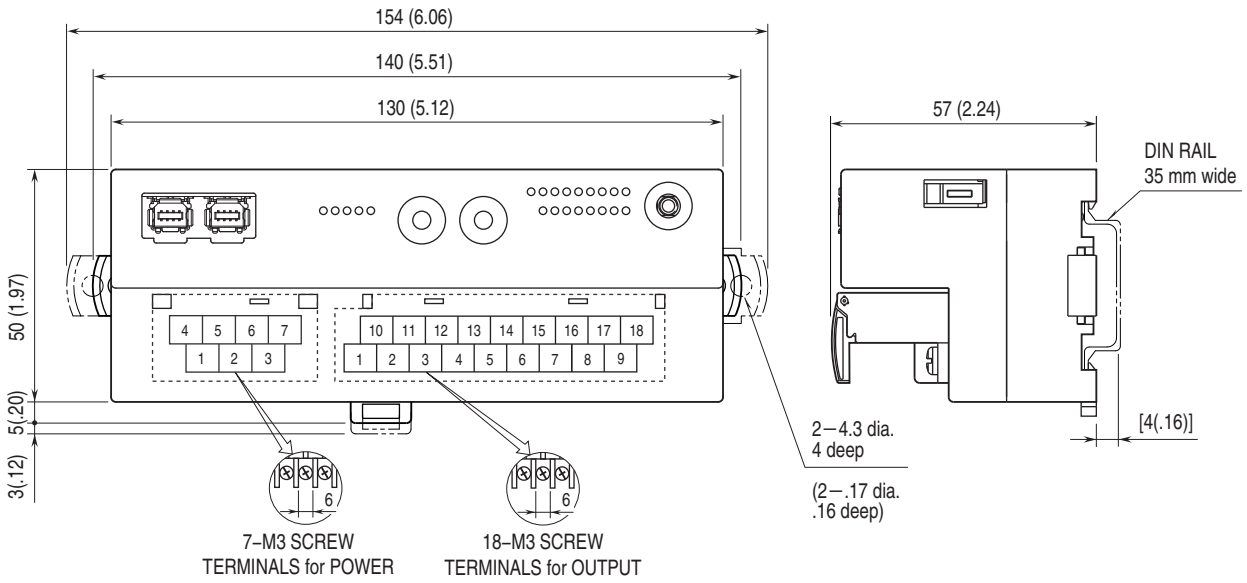
STATUS



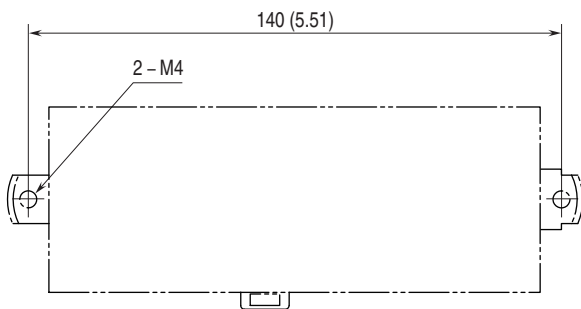
Wire breakdown detection
0: Normal
1: Breakdown

MODEL: R7G4HML3-6-YSF4

EXTERNAL DIMENSIONS & TERMINAL ASSIGNMENTS unit: mm (inch)



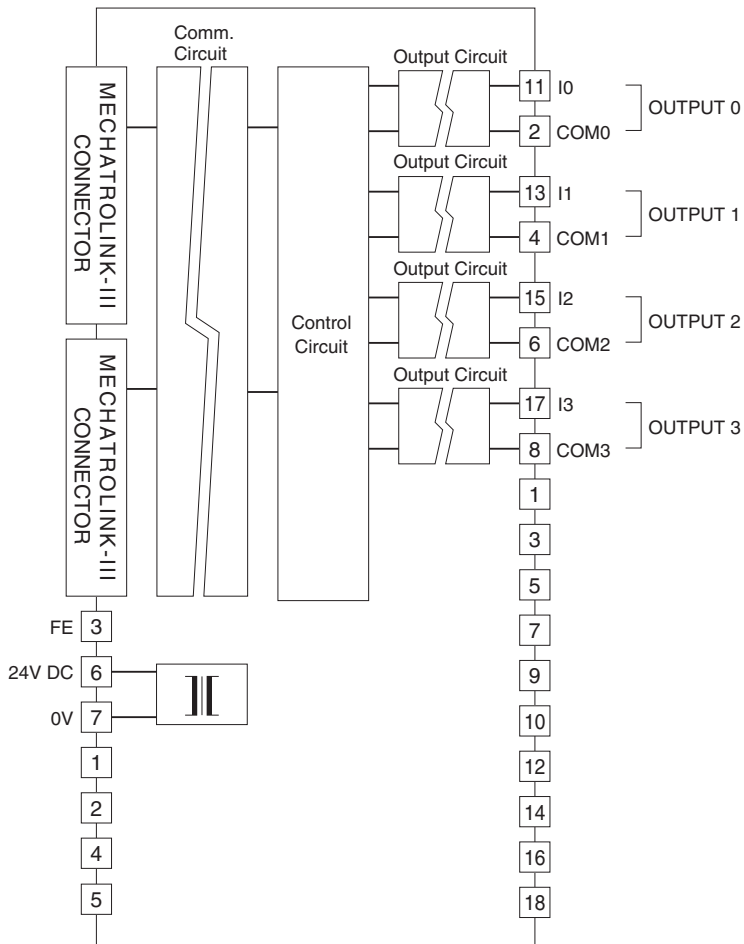
MOUNTING REQUIREMENTS unit: mm (inch)



SCHEMATIC CIRCUITRY & CONNECTION DIAGRAM

Note: In order to improve EMC performance, bond the FE terminal to ground.

Caution: FE terminal is NOT a protective conductor terminal.



Specifications are subject to change without notice.