

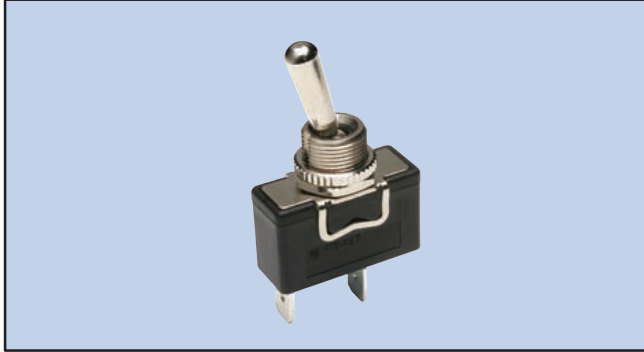
Waterproof Toggle Switches

Bat Handle



Features

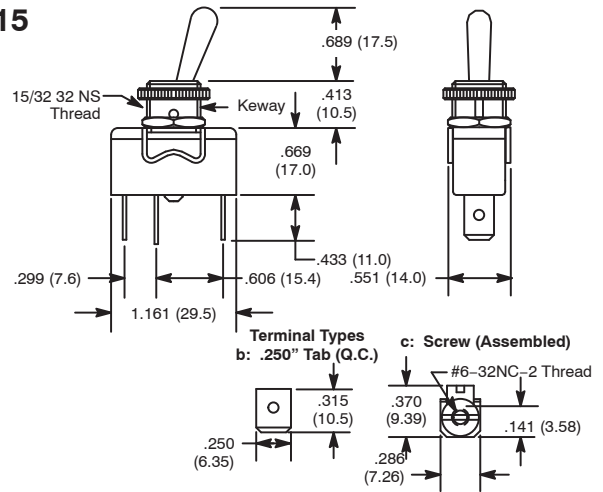
- **Waterproof: IP56**
- **Single Pole Types**
- **Internal "O" Ring for Moisture and Dust Resistance**
- **.250" Quick Connect Terminals**



NTE Type No.	Circuitry	Current Rating	Action			Actuator	Diag No.
54-348W#	SPST	B	ON	NONE	OFF	Brass/Nickel Plate	S115b
54-349W	SPDT	A	ON	NONE	ON	Brass/Nickel Plate	S115b
54-350W	SPDT	A	ON	OFF	ON	Brass/Nickel Plate	S115b
54-352W##	SPDT	A	(ON)	OFF	(ON)	Brass/Nickel Plate	S115b
54-354W	SPST	B	ON	NONE	OFF	Brass/Nickel Plate	S115c
54-355W##	SPDT	A	ON	NONE	ON	Brass/Nickel Plate	S115c
54-356W	SPDT	A	ON	OFF	ON	Brass/Nickel Plate	S115c
54-358W##	SPDT	A	(ON)	OFF	(ON)	Brass/Nickel Plate	S115c

SPECIAL NOTE: () = Momentary Function
UL for 16 Amp ONLY
UL for 12 Amp ONLY

S115



Specifications

Current Rating:

- A: 16A 277VAC, 1 HP
- B: 20A 277VAC, 1 HP

Insulation Resistance: 100 Megohms (min.) at 500VDC

Dielectric Strength: 1500V RMS (min.)

Temperature Rating: +32° to +149°F (0° to +65°C)

Electrical Life: 6,000 cycles

Mechanical Life: 10,000 cycles at full load

Terminal Type: Refer to Diag No. in Table

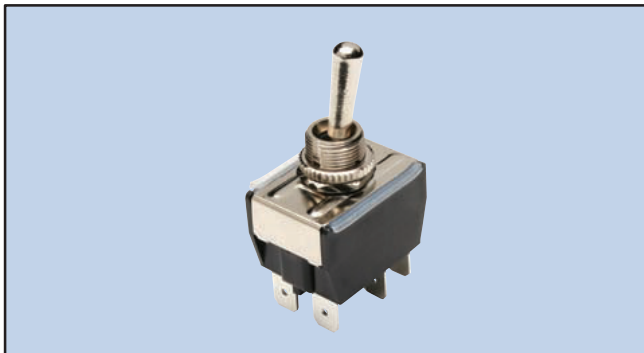
Mounting Hole: .472 (12.0)

Bat Handle



Features

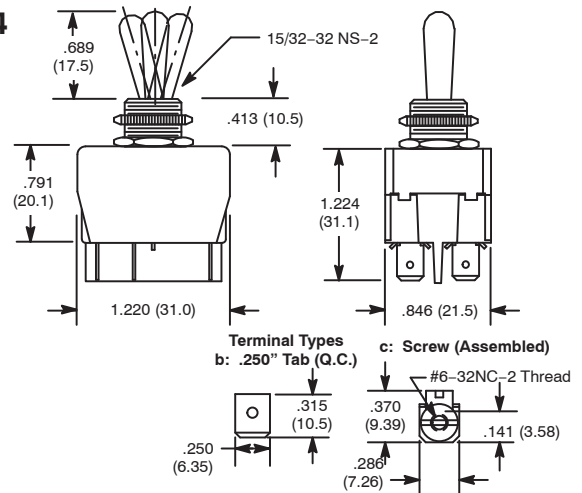
- **Waterproof: IP56**
- **Double Pole Types**
- **Internal "O" Ring for Moisture and Dust Resistance**
- **.250" Quick Connect Terminals**



NTE Type No.	Circuitry	Current Rating	Action			Actuator	Diag No.
54-360W	DPDT	A	ON	NONE	ON	Brass/Nickel Plate	S114b
54-361W	DPDT	A	ON	OFF	ON	Brass/Nickel Plate	S114b
54-364W	DPDT	A	(ON)	OFF	(ON)	Brass/Nickel Plate	S114b
54-366W##	DPST	B	ON	NONE	OFF	Brass/Nickel Plate	S114b
54-367W	DPST	B	ON	NONE	OFF	Brass/Nickel Plate	S114c
54-369W	DPDT	A	ON	NONE	ON	Brass/Nickel Plate	S114c
54-370W##	DPDT	A	ON	OFF	ON	Brass/Nickel Plate	S114c
54-373W	DPDT	A	(ON)	OFF	(ON)	Brass/Nickel Plate	S114c

SPECIAL NOTE: () = Momentary Function
UL for 12 Amp ONLY

S114



Specifications

Current Rating:

- A: 16A 250VAC, 1 HP
- B: 20A 277VAC, 1 HP

Insulation Resistance: 100 Megohms (min.) at 500VDC

Dielectric Strength: 1500V RMS (min.)

Temperature Rating: +32° to +149°F (0° to +65°C)

Electrical Life: 6,000 cycles

Mechanical Life: 10,000 cycles at full load

Terminal Type: Refer to Diag No. in Table

Mounting Hole: .472 (12.0)