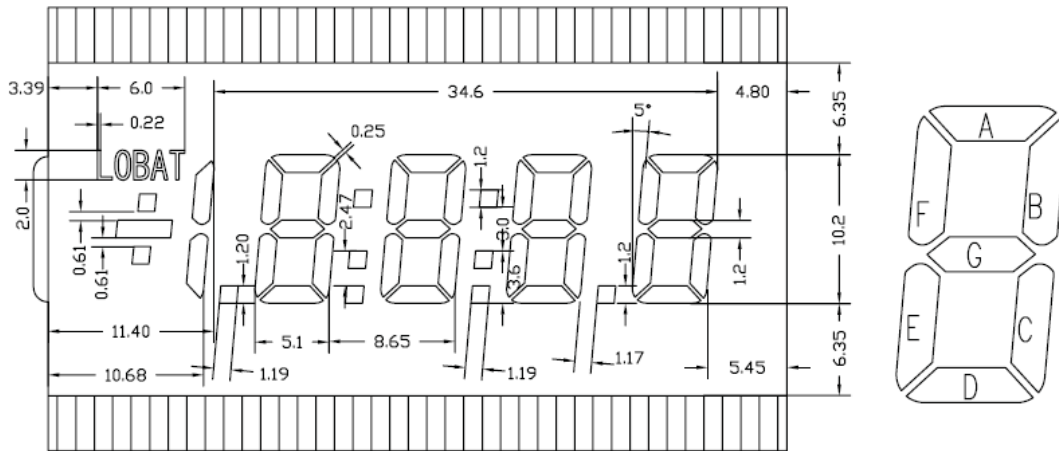
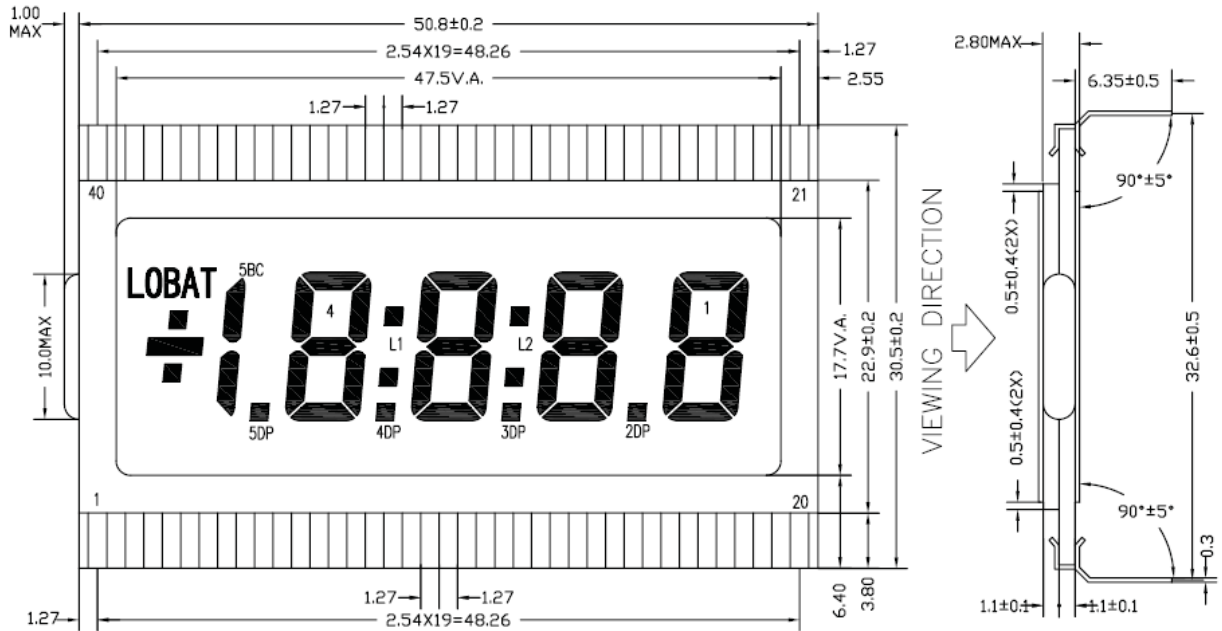


# PRODUCT SPECIFICATION

Part Number **PC454-O**



PIN	1	2	3	4	5	6	7	8	9	10	11	12	13	14	15	16	17	18	19	20
COM1	COM1	□	5BC	5DP	4E	4D	4C	4DP	3E	3D	3C	3DP	2E	2D	2C	2DP	1E	1D	1C	1B
PIN	21	22	23	24	25	26	27	28	29	30	31	32	33	34	35	36	37	38	39	40
COM1	1A	1F	1G	2B	2A	2F	2G	L2	3B	3A	3F	3G	L1	4B	4A	4F	4G	LOBAT	□	COM1

**NOTES:**

- |                       |                     |                       |            |
|-----------------------|---------------------|-----------------------|------------|
| 1. DISPLAY TYPE:      | TN                  | 5. OPERATING VOLTAGE: | 5.0V       |
| 2. VIEWING DIRECTION: | 6:00                | 6. OPERATING TEMP:    | -30°C~80°C |
| 3. POLARIZER MODE:    | POSITIVE/REFLECTIVE | 7. STORAGE TEMP:      | -30°C~80°C |
| 4. DRIVER METHOD:     | STATIC              | 8. CONNECTOR:         | PIN        |

