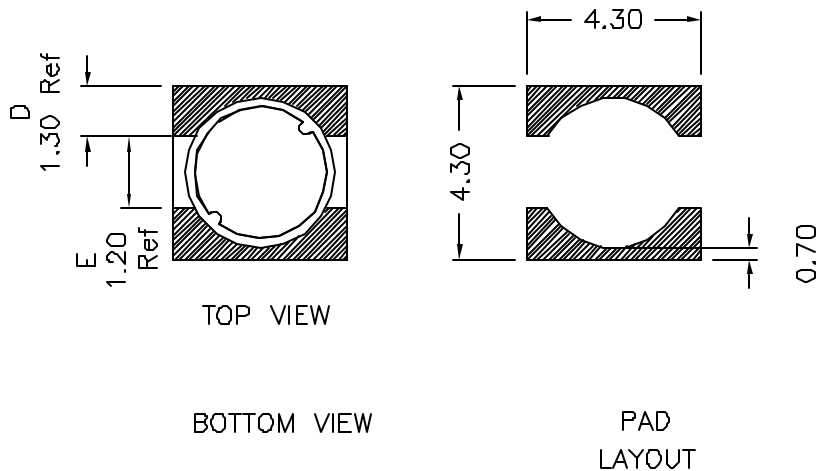
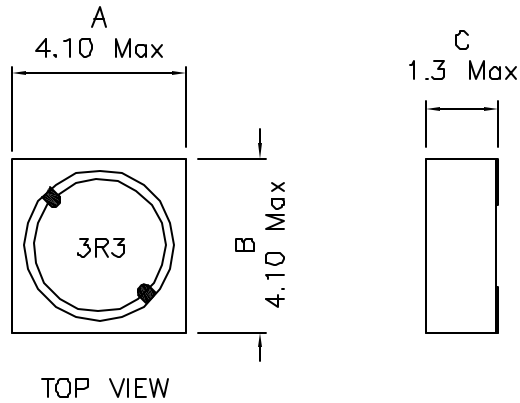
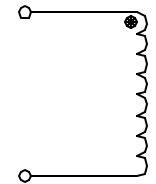


1. Mechanical Dimensions:



2. Schematic:



3. Electrical Specification:

OCL: $3.3\mu\text{H} \pm 30\%$ @100KHz 0.1V

DCR: 100 mOhms Max

Isat: 1.4Adc Max (Based on 30% drop in OCL)

Irms: 2A (Based on 40°C Temp Rise)

SRF: 100MHz Typ

Notes:

1. Solderability: Leads shall meet MIL-STD-202G, Method 208H for solderability.
2. Flammability: UL94V-0
3. ASTM oxygen index: > 28%
4. Insulation System: Glass F 155°C, UL file E15155B
5. Operating Temperature Range: All listed parameters are to be within tolerance from -40°C to +85°C
6. Storage Temperature Range: -55°C to +125°C
7. Aqueous wash compatible
8. SMD Lead Coplanarity: ± 0.004 (0.102mm)
9. Electrical and mechanical specifications 100% tested
10. RoHS Compliant Component

XFMRs Inc. www.XFMRS.com	Title: SHIELDED INDUCTOR		
	UNLESS OTHERWISE SPECIFIED TOLERANCES: .x $\pm 0.30\text{mm}$ Dimensions in mm	P/N: XFTPRH4012-3R3M	REV. A
SHEET 1 OF 1	DWN.	Kang Chen	Dec-07-07
	CHK.	YK Liao	Dec-07-07
	APP.	MS	Dec-07-07

DOC. REV: A/1