

0.50mm

(0.02'') PITCH CONNECTOR

FPC/FFC Connectors

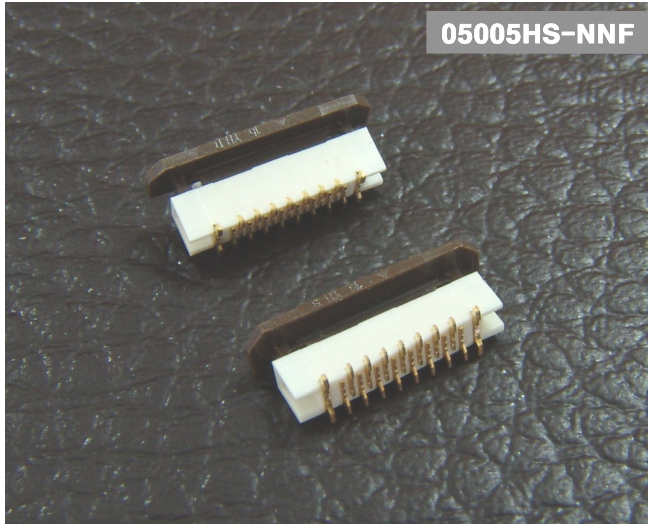
Housing

Emboss Type

SMT Type

Vertical Type

ZIF Type



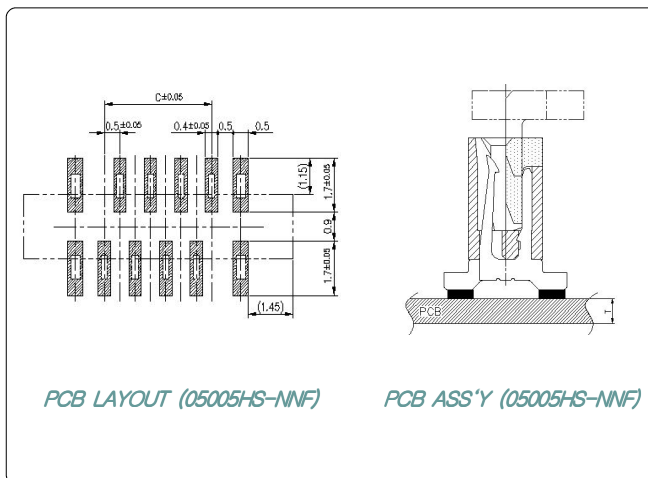
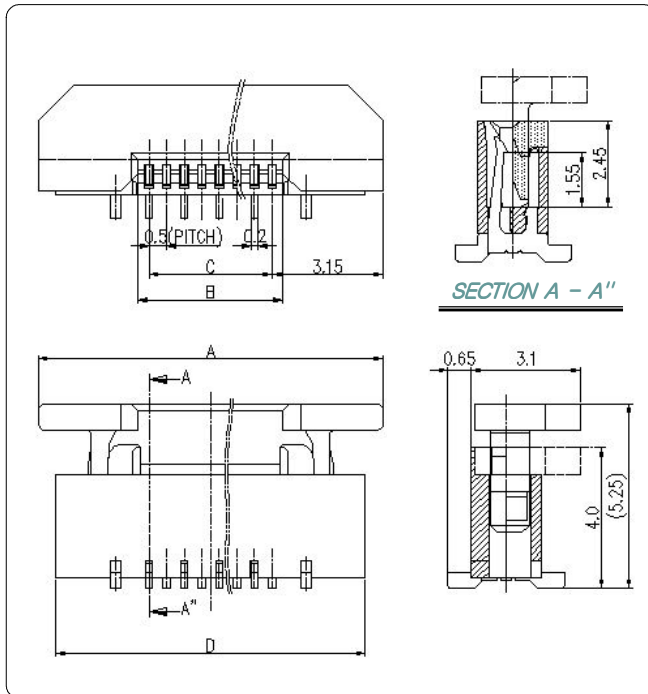
05005HS-NNF

Material

| I/NO | DESCRIPTION | MATERIAL |
|------|-------------|----------------------------|
| 1 | HOUSING | PA46 |
| 2 | ACTUATOR | PPS |
| 3 | TERMINAL | Phosphor Bronze, Au-plated |
| 4 | HOOK | Phosphor Bronze, Au-plated |

Available Pin

| PARTS NO. | A | B | C | D |
|-------------|------|------|------|------|
| 05005HS-15F | 14.0 | 8.00 | 7.00 | 12.3 |
| 05005HS-16F | 14.5 | 8.50 | 7.50 | 12.8 |
| 05005HS-17F | 15.0 | 9.00 | 8.00 | 13.3 |
| 05005HS-18F | 15.5 | 9.50 | 8.50 | 13.8 |
| 05005HS-19F | 16.0 | 10.0 | 9.00 | 14.3 |
| 05005HS-20F | 16.5 | 10.5 | 9.50 | 14.8 |
| 05005HS-21F | 17.0 | 11.0 | 10.0 | 15.3 |
| 05005HS-22F | 17.5 | 11.5 | 10.5 | 15.8 |
| 05005HS-23F | 18.0 | 12.0 | 11.0 | 16.3 |
| 05005HS-24F | 18.5 | 12.5 | 11.5 | 16.8 |
| 05005HS-25F | 19.0 | 13.0 | 12.0 | 17.3 |
| 05005HS-26F | 19.5 | 13.5 | 12.5 | 17.8 |
| 05005HS-27F | 20.0 | 14.0 | 13.0 | 18.3 |
| 05005HS-28F | 20.5 | 14.5 | 13.5 | 18.8 |
| 05005HS-29F | 21.0 | 15.0 | 14.0 | 19.3 |
| 05005HS-30F | 21.5 | 15.5 | 14.5 | 19.8 |
| 05005HS-40F | 26.5 | 20.5 | 19.5 | 24.8 |
| 05005HS-50F | 31.5 | 25.5 | 24.5 | 29.8 |



Specification

| ITEM | SPEC |
|------------------------|---------------|
| Voltage Rating | AC/DC 50V |
| Current Rating | AC/DC 0.5A |
| Operating Temperature | -25°C ~ +85°C |
| Contact Resistance | 30mΩ MAX |
| Withstanding Voltage | AC250V/1min |
| Insulation Resistance | 100MΩ MIN |
| Applicable Wire | - |
| Applicable P.C.B | 0.8 ~ 1.6mm |
| Applicable FPC/FFC | 0.30±0.02mm |
| Solder Height | 0.15mm |
| Crimp Tensile Strength | - |
| UL FILE NO | - |