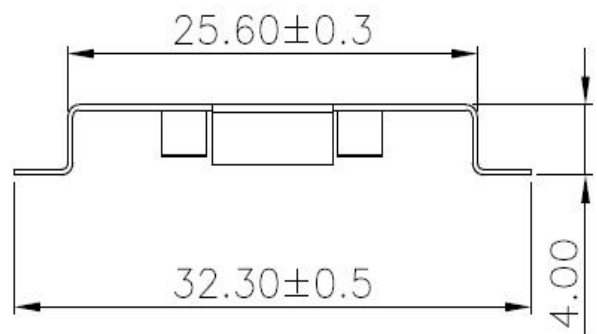
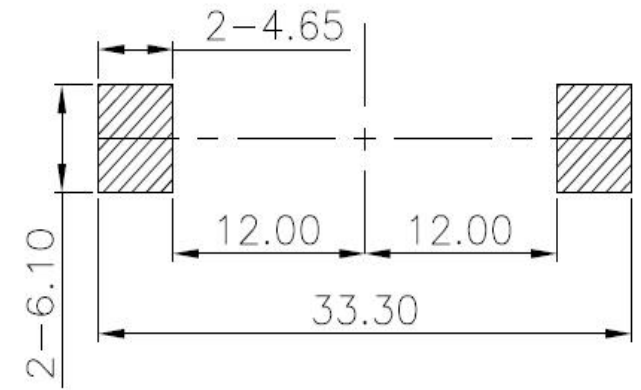
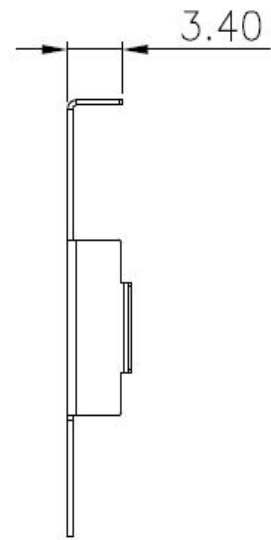
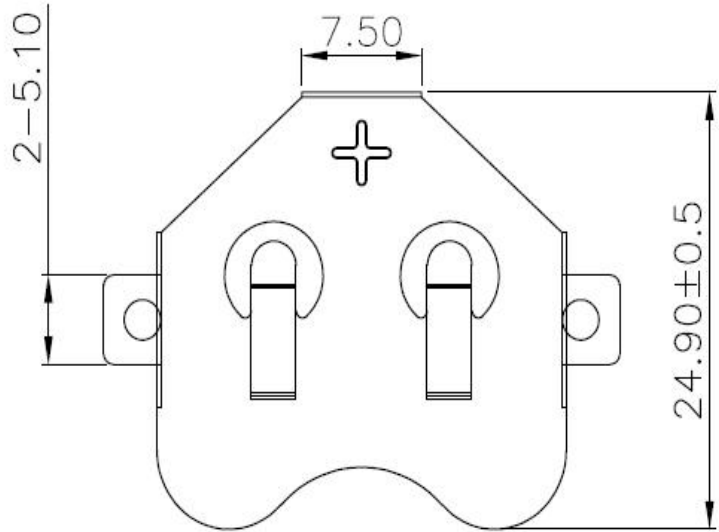




REV.	ECN NO.	REVISED	DATE



工程部  
2022-02-15  
H. WANG

PCB Layout Diagram  
Top View

UNLESS OTHERWISE SPECIFIED TOLERANCES		<b>MYOUNG 美阳</b> <a href="http://www.meiyangdz.com">www.meiyangdz.com</a>	
DECIMALS: X :±0.30 X.X :±0.25 X.XX :±0.20 X.XXX :±0.10	ANGLES: X :±1° X.X :±0.5°	DSND YangFeng	DATE 2022-02-15
WEIGHT: 1.315g		CHKD ZhouRuicai	DATE 2022-02-15
SHEET 1 OF 1		APVD XueShun Yong	DATE 2022-02-15
SCALE: 2:1		SIZE: A4	VIEW:
UNIT: mm		REV.: A/0	OBJECT: MY
TITLE:		PART NO.:	
TITLE: 电池扣CR2430-W SMT(Z)		PART NO.: MY-2430-04	
DRAW NO.:MY-CP-0189			

1	TERMINAL(+)	1	C5191, T=0.30MM	Ni-Plating
NO.	PART NAME	Q'TY	MATERIAL	PLATING & COLOR