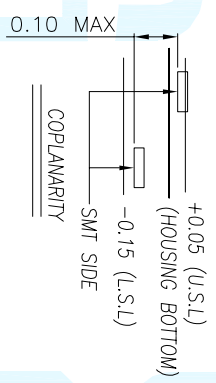
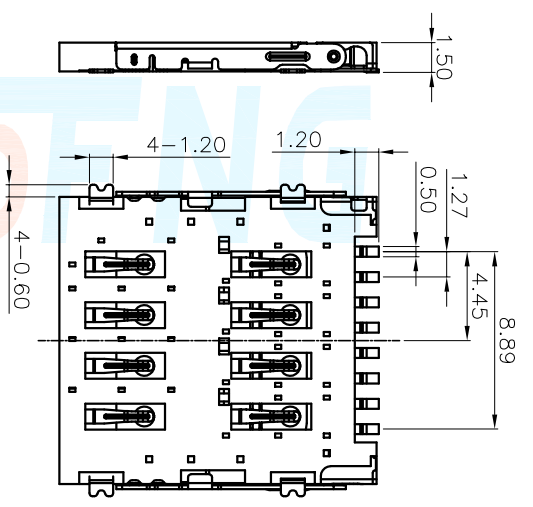
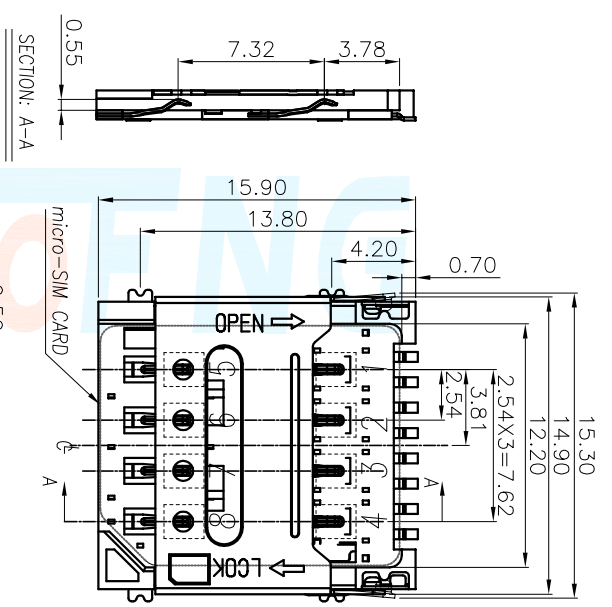


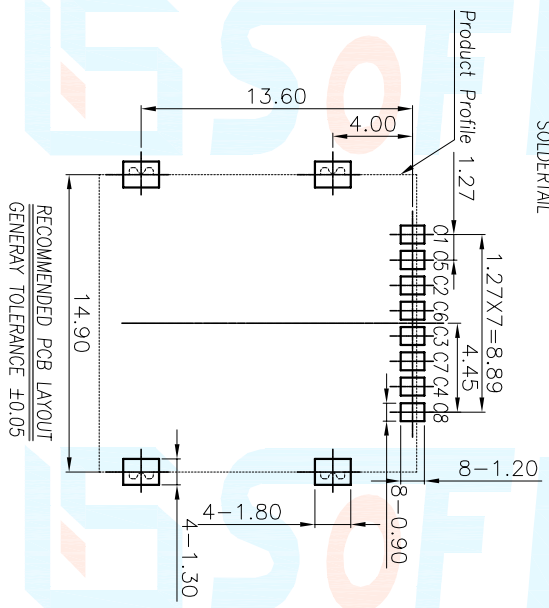
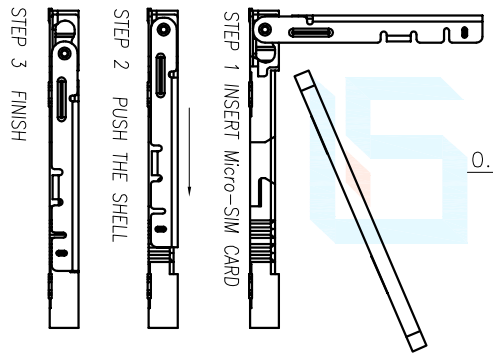
REV.	ECN NO. OR DESCRIPTION	REVISED	DATE
	PROPOSE ONLY	ALEN	2013.05.04

NOTES:

- ELECTRICAL CHARACTERISTICS
 - CONTACT RESISTANCE: 60 Milliohms Max
 - INSULATION RESISTANCE: 1,000 Megohms Min.
 - DIELECTRIC WITHSTANDING VOLTAGE: 500V AC
- MECHANICAL CHARACTERISTICS
 - OPERATION TEMPERATURE RANGE: -25°C~+70°C
 - DURABILITY: 5000 CYCLES
- MATERIAL:
 - HOUSING: THERMOPLASTIC, UL 94-V0
 - TERMINAL: PHOSPHOR BRONZE, T=0.15
 - SHELL: STAINLESS STEEL, T=0.15
- FINISHED:
 - TERMINAL: NI PLATED UNDER Au PLATED ON CONTACT AREA, G/F PLATED ON SOLDER TAIL
 - SHELL: NI PLATED UNDER G/F PLATED ON SOLDER TAIL

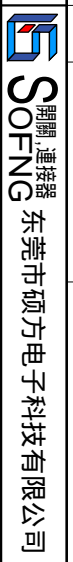


Pin No.	SIM CARD NAME
C1	VCC
C2	RST
C3	CLK
C4	RESERVED
C5	GND
C6	VPP
C7	I/O
C8	RESERVED



NO.	PART NAME	Q'TY	DESCRIPTION	NOTE
③	TERMINAL	8	C5210-EH, T=0.12	Au 5u" PLATING
②	BASE INSULATOR	1	LCP+GF30%	BLACK
①	SHELL	1	SUS304-H, T=0.12	AU/NI PLATING

UNLESS OTHERWISE SPECIFIED TOLERANCES



DECIMALS:	ANGLES:	TITLE	8Pin 1.5H HINGE Micro SIM CARD CONN.	
X : ±0.5	X : ±2'	DWN	ALLEN	PART NO. SMO-1513
X.X : ±0.20	X.X : ±1'	CHKD	KEVIN	SCALE: 1:1
X.XX : ±0.10		APVD	ERIC.W	SIZE: A3
				SHEET: 1 OF 1
				REV: A1

CUSTOMER COPY