

# Customer Information Sheet

DRAWING No.: M20-877XXXXR

SHEET 3 OF 4

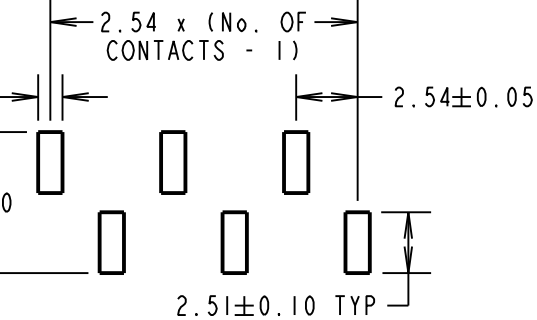
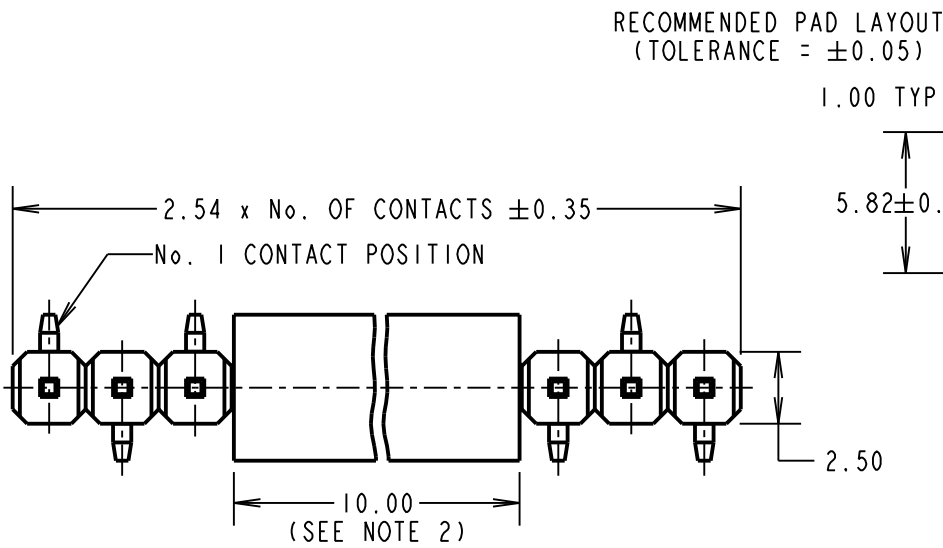
IF IN DOUBT - ASK

©

NOT TO SCALE

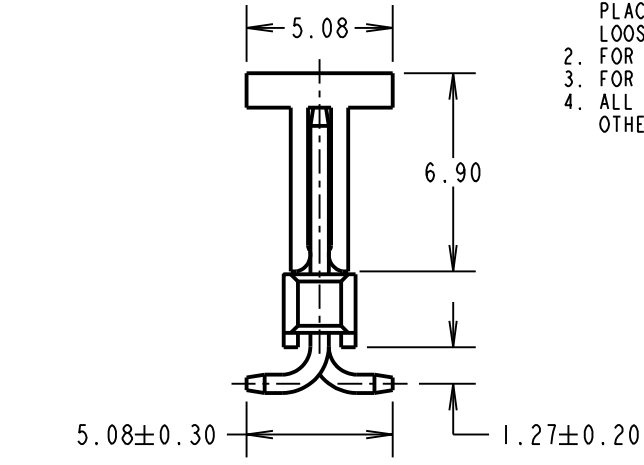
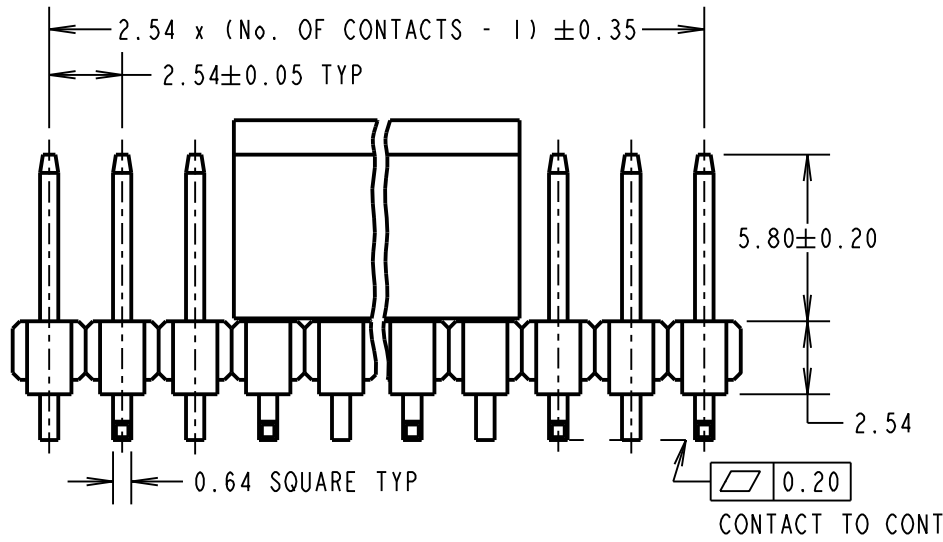
THIRD ANGLE PROJECTION

ALL DIMENSIONS IN mm



**SPECIFICATION:**  
**MATERIAL:**  
 MOULDING = PA6T UL94V-0, BLACK  
 CONTACT = BRASS  
 FINISH (COVER NICKEL):  
 42 = SELECTIVE GOLD ON CONTACT AREA,  
 100% TIN ON TAILS  
 46 = 100% TIN  
**ELECTRICAL:**  
 CURRENT RATING = 3A MAX  
 CONTACT RESISTANCE = 30mΩ MAX (TIN),  
 25mΩ MAX (GOLD)  
 INSULATION RESISTANCE = 1,000MΩ MIN  
 DIELECTRIC STRENGTH = 750V AC/DC  
**MECHANICAL:**  
 DURABILITY = 50 OPERATIONS (TIN),  
 300 OPERATIONS (GOLD)  
**ENVIRONMENTAL:**  
 TEMPERATURE RANGE = -40°C TO +105°C  
**PACKING:**  
 BAG  
 FOR COMPLETE SPECIFICATION, SEE COMPONENT  
 SPECIFICATION C001XX (LATEST ISSUE)

ORDER CODE:  
**M20-877XXXXR**  
 No. OF CONTACTS: \_\_\_\_\_  
 02, 03, 04, 06,  
 08, 10, 15, 16, 19  
 FINISH: \_\_\_\_\_  
 42 = SELECTIVE GOLD + 100% TIN  
 46 = 100% TIN



- NOTES:**
- SEE DRAWING M20-877XXXXP FOR PICK AND PLACE TUBE OPTION, M20-877XXXX FOR LOOSE OPTION.
  - FOR 4 WAYS AND LESS, CAP LENGTH = 6.00mm.
  - FOR REELING DETAILS SEE SHEET 4.
  - ALL TOLERANCES ARE ±0.15mm UNLESS OTHERWISE STATED.

SB	19	01.12.17	20948
NAME	ISS.	DATE	C/NOTE
APPROVED:		S.BENNETT	
CHECKED:		S.FLOWER	
DRAWN:		J. KEIR	
CUSTOMER REF.:			
ASSEMBLY DRG:			

**HARWIN**

www.harwin.com  
 technical@harwin.com

THIS DRAWING AND ANY INFORMATION OR DESCRIPTIVE MATTER SET OUT HEREON ARE CONFIDENTIAL AND COPYRIGHT PROPERTY OF THE HARWIN GROUP AND MUST NOT BE DISCLOSED, LOANED, COPIED OR USED FOR MANUFACTURING, TENDERING OR FOR ANY OTHER PURPOSE WITHOUT THEIR WRITTEN PERMISSION.

**TOLERANCES**  
~~X = ±1mm~~  
~~X.X = ±0.50mm~~  
~~X.XX = ±0.10mm~~  
~~X.XXX = ±0.01mm~~  
 ANGLES = ±5°  
 UNLESS STATED

**MATERIAL:**  
 SEE TABLE  
**FINISH:** SEE TABLE  
**S/AREA:** mm<sup>2</sup>

**TITLE:** 2.54mm PITCH SIL  
 SMT VERTICAL PIN HEADER WITH  
 P/PLACE, TAPE & REEL (L/HAND)  
**DRAWING NUMBER:**  
**M20-877XXXXR**  
 SHT 3 OF 4

# Customer Information Sheet

DRAWING No.: M20-877XXXXR

SHEET 4 OF 4

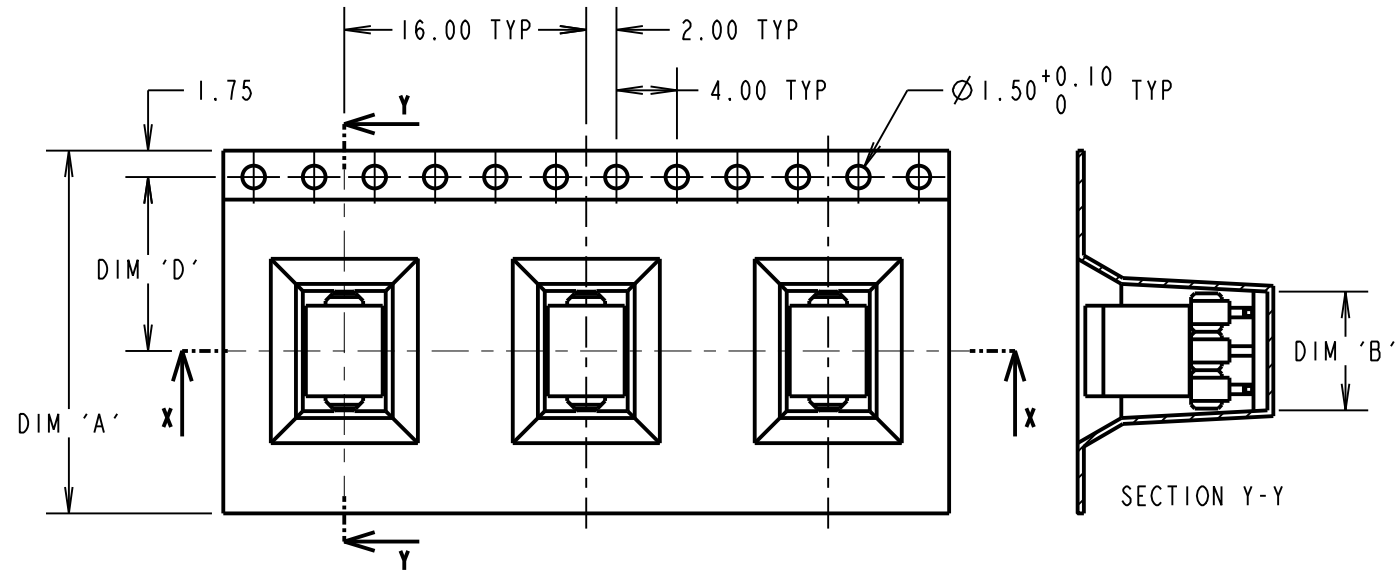
IF IN DOUBT - ASK

©

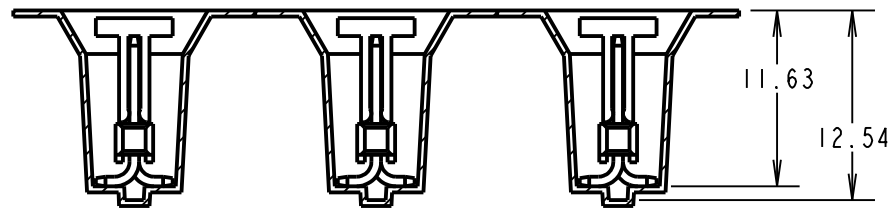
NOT TO SCALE

THIRD ANGLE PROJECTION

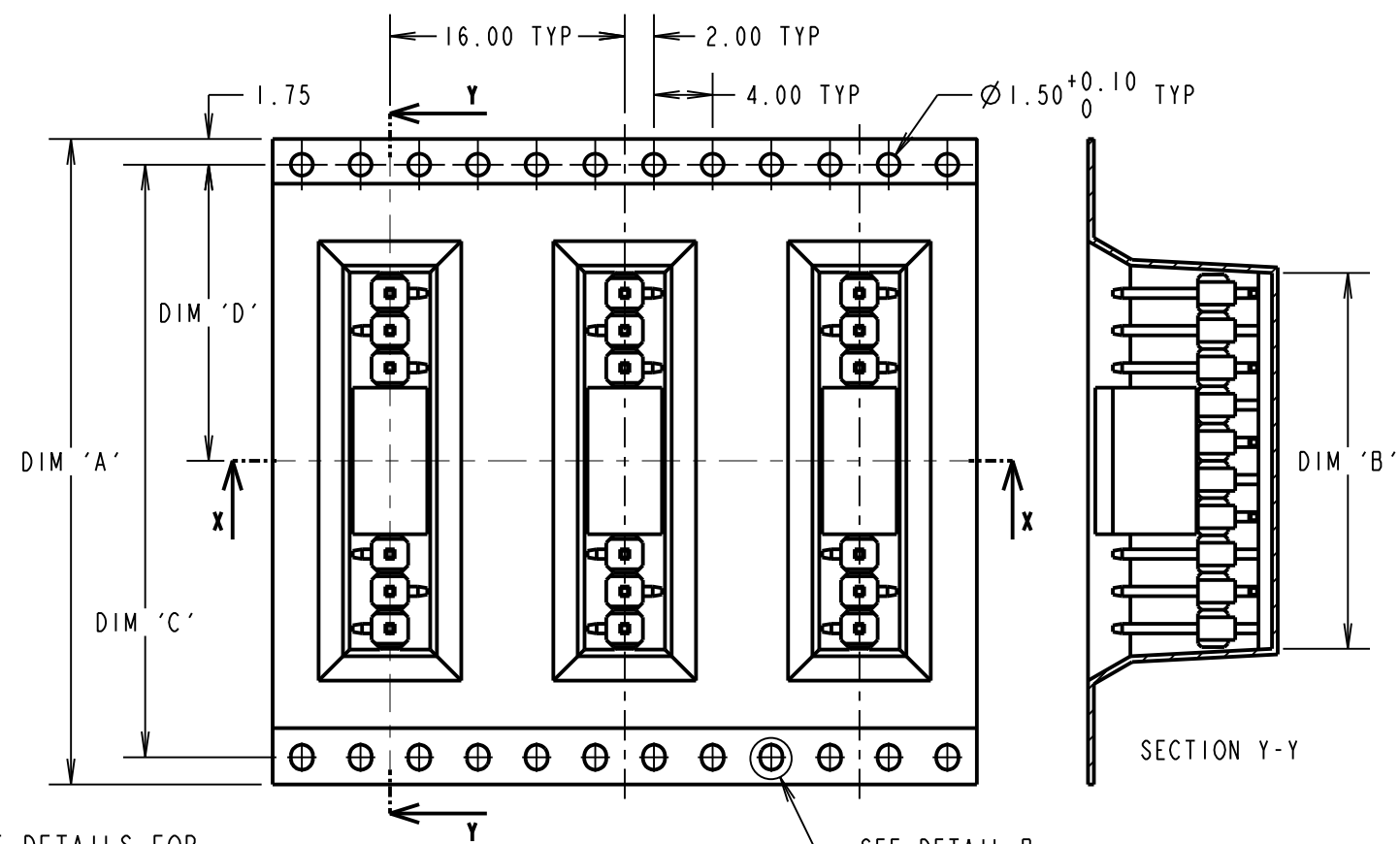
ALL DIMENSIONS IN mm



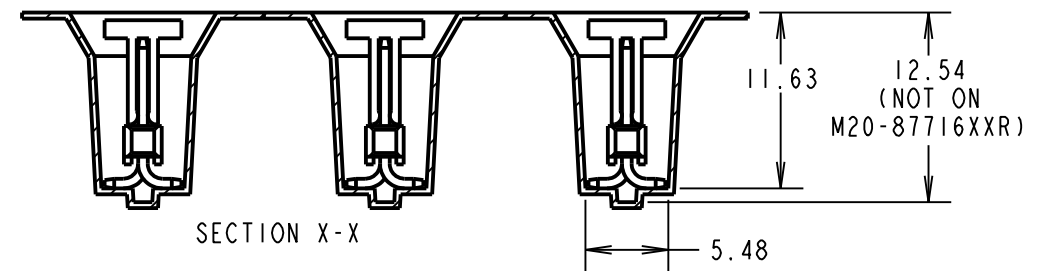
SECTION X-X



TAPE DETAILS FOR 02 & 03 CONTACTS

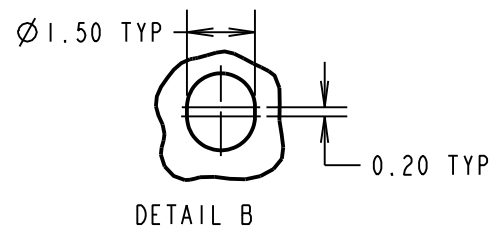
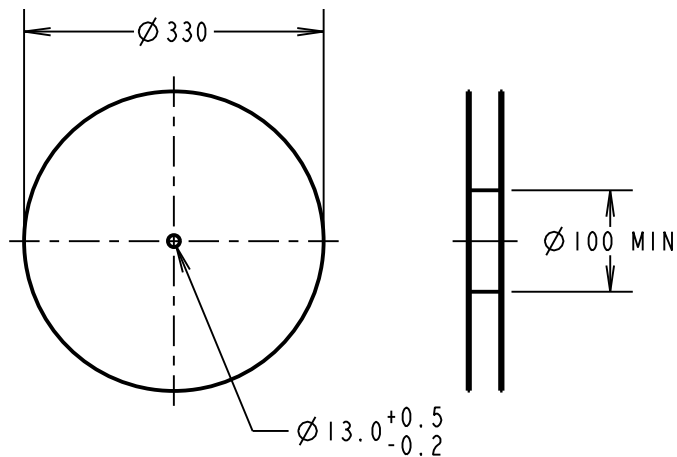


TAPE DETAILS FOR 04, 06, 08, 10, 15, 16 & 19 CONTACTS

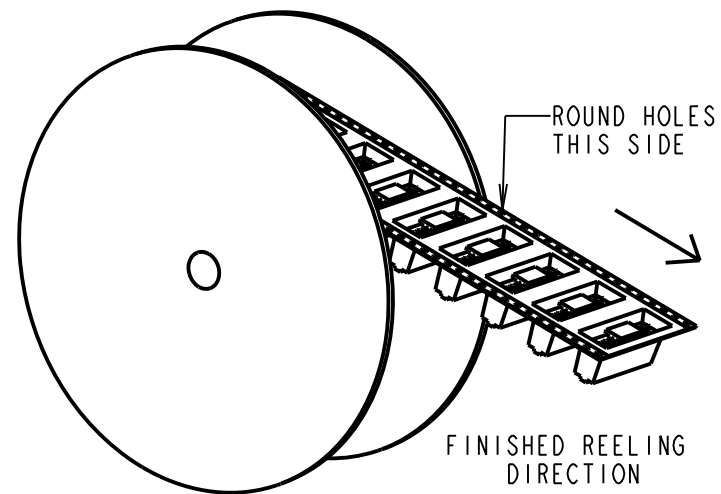


SECTION X-X

REEL DETAILS



DETAIL B



FINISHED REELING DIRECTION

HARWIN PART No.	DIM 'A'	DIM 'B'	DIM 'C'	DIM 'D'
M20-87702XXR	24.00±0.30	5.31	-	11.50
M20-87703XXR		7.85	-	11.50
M20-87704XXR	32.00±0.30	10.39	28.40	14.20
M20-87706XXR		15.47		
M20-87708XXR	44.00±0.30	20.55	40.40	20.20±0.15
M20-87710XXR		25.63		
M20-87715XXR	56.00±0.30	43.57	52.40	26.20±0.15
M20-87716XXR	72.00±0.30	40.90	68.40	34.20±0.30
M20-87719XXR		53.73		

- NOTES:
1. QUANTITY PER REEL = 450.
  2. FOR CONNECTOR DIMENSIONS, SEE SHEET 3.
  3. TAPE AND REELING IS IN GENERAL ACCORDANCE WITH ELECTRONIC INDUSTRIES ASSOCIATION EIA-481.

SB	19	01.12.17	20498
NAME	ISS.	DATE	C/NOTE
APPROVED:		S.BENNETT	
CHECKED:		S.FLOWER	
DRAWN:		J. KEIR	
CUSTOMER REF.:			
ASSEMBLY DRG:			

**HARWIN**

www.harwin.com  
technical@harwin.com

THIS DRAWING AND ANY INFORMATION OR DESCRIPTIVE MATTER SET OUT HEREON ARE CONFIDENTIAL AND COPYRIGHT PROPERTY OF THE HARWIN GROUP AND MUST NOT BE DISCLOSED, LOANED, COPIED OR USED FOR MANUFACTURING, TENDERING OR FOR ANY OTHER PURPOSE WITHOUT THEIR WRITTEN PERMISSION.

TOLERANCES  
X. = ±1mm  
X.X = ±0.50mm  
X.XX = ±0.10mm  
X.XXX = ±0.01mm  
ANGLES = ±5°  
UNLESS STATED

MATERIAL:  
SEE ABOVE  
FINISH: SEE ABOVE  
S/AREA: mm<sup>2</sup>

TITLE: 2.54mm PITCH SIL SMT VERTICAL PIN HEADER WITH P/PLACE, TAPE & REEL (L/HAND)  
DRAWING NUMBER:  
**M20-877XXXXR**  
SHT 4 OF 4