

TGM-20-2002

Module Amplifier

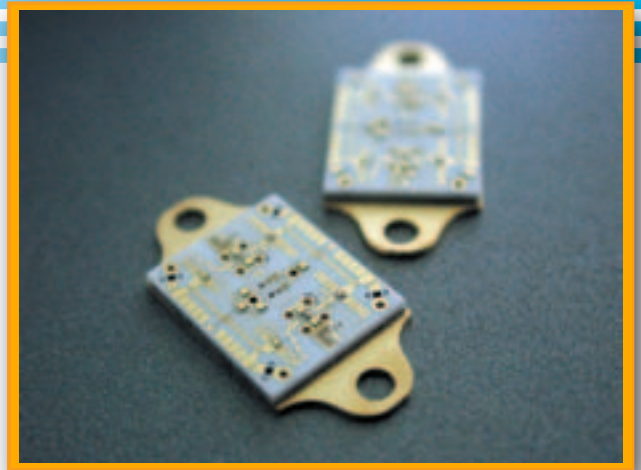
2 GHz - 20 GHz

This Module Amplifier offers exceptional performance over the band 2 GHz to 20 GHz with 16.0 dBm P1dB output power and 6.0 dB Gain.

Teledyne Microwave amplifiers are balanced or feedback designs and manufactured with the latest MIC & MMIC technology. The GaAs FET's used in these amplifiers are well established proven devices from multiple sources.

Teledyne Microwave offers a complete line of Narrow and broadband Amplifiers covering the frequency range 500 MHz to 40 GHz. These products are available in either connectorized packages or as modules. For a complete list of these products and more, please visit our website.

Other products from Teledyne Microwave include: Transceivers, Synthesizers, and YIG Products



Specifications:

Model Number: TGM-20-2002
Frequency Range: 2 GHz – 20 GHz
Gain (min): 6.0 dB
Gain Vs Temp Coefficient per 1 deg C: -0.012 dB
Noise Figure (max): 6.0 dB
Output Power @ 1dB Compression: 16.0 dBm
Gain Flatness Vs Frequency: +/-1.0 dB
3rd Order Intercept (Typ): Contact Factory
Power Supply:
 Input Voltage: 11.5 to 15 VDC
 Current @ 12 VDC (typ): 100 mA
 Current @ 12 VDC (max): Contact Factory
Case Type (See attached Outline): 1248NP
Temperature Range: +25C



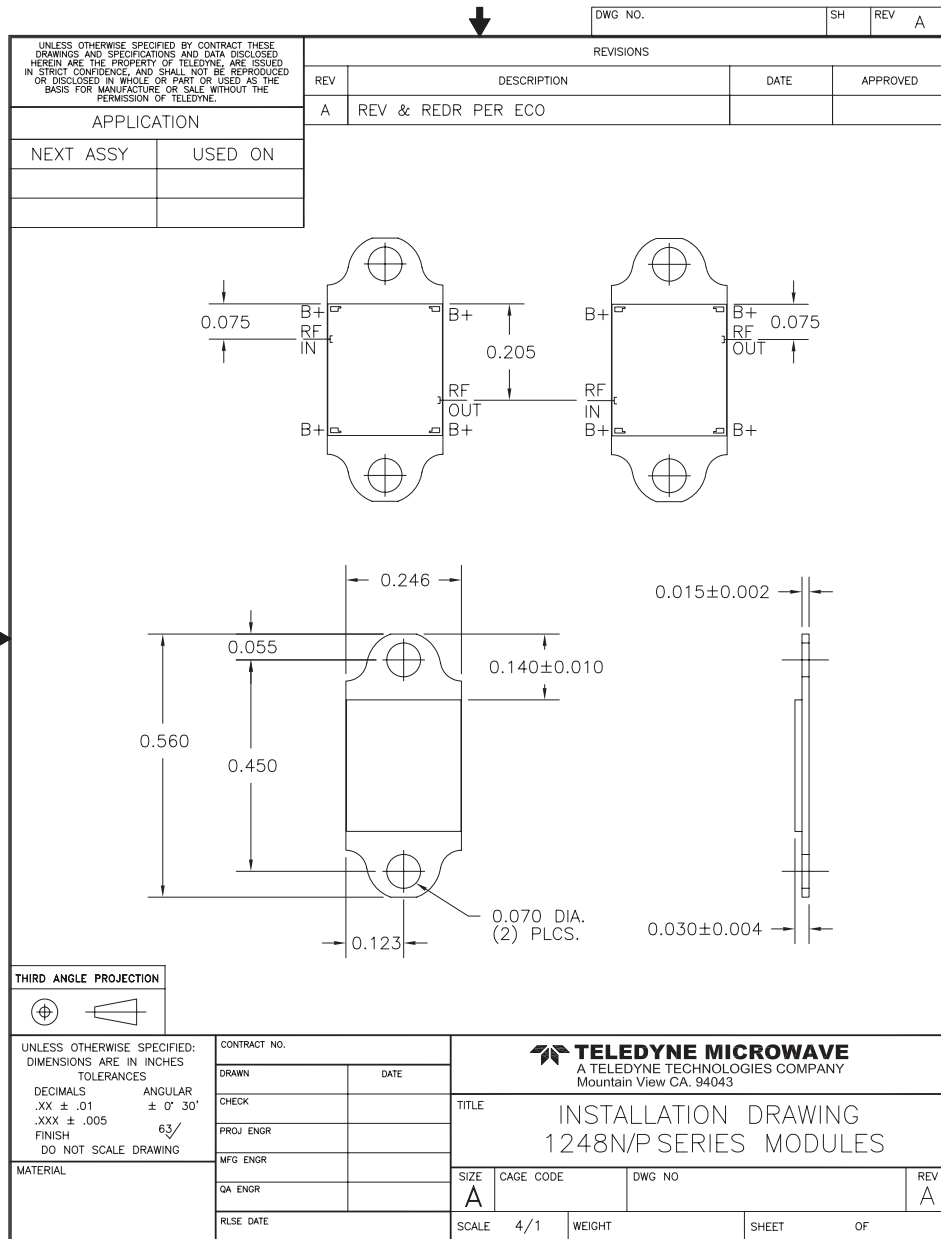
ISO 9001:2000

1274 Terra Bella Avenue, Mountain View, CA 94043 • PHN# 800.832.6869 or +1.650.962.6944 • FAX# 650.962.6845
www.teledynemicrowave.com • microwave@teledyne.com

TGM-20-2002

Module Amplifier

2 GHz - 20 GHz



THIRD ANGLE PROJECTION

UNLESS OTHERWISE SPECIFIED: DIMENSIONS ARE IN INCHES TOLERANCES		CONTRACT NO.		 TELEDYNE MICROWAVE A TELEDYNE TECHNOLOGIES COMPANY Mountain View CA. 94043		
DECIMALS .XX ± .01	ANGULAR ± 0' 30"	DRAWN	DATE			
.XXX ± .005	FINISH 63/	CHECK		INSTALLATION DRAWING		
DO NOT SCALE DRAWING		PROJ ENGR		1248N/P SERIES MODULES		
MATERIAL		MFG ENGR		SIZE	CAGE CODE	DWG NO
		QA ENGR		A		A
		RLSE DATE		SCALE	4/1	WEIGHT



ISO 9001:2000

1274 Terra Bella Avenue, Mountain View, CA 94043 • PHN# 800.832.6869 or +1.650.962.6944 • FAX# 650.962.6845
 www.teledynemicrowave.com • microwave@teledyne.com