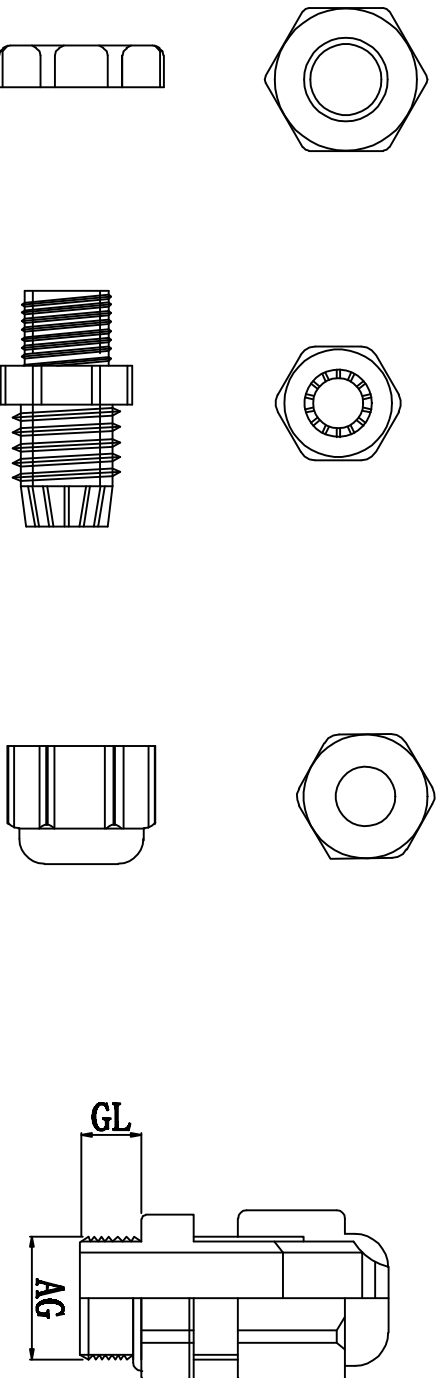


料号 Part NO.	品名 Parts Name	适用电缆 Cable Range (mm)	螺纹外径 Thread O. D AG (mm)	螺纹长度 Thread Length GL (mm)	扳手直径 Spanner Size (mm)
39-HIWA-M18	电缆固定头 M18*1.5	5-10	18	8	22



螺帽

本体 夹紧爪

迫紧头

材质: UL尼龙66, 防火等级94V-2, 夹紧圈为橡胶材质  
 特点: 夹紧圈经特殊设计, 拉力强, 对电机不造成损伤  
 用途: 一般机械控制箱、配电盘、机器、电器等电缆固定用  
 防护等级: IP68  
 环境温度: 静态: -40° C, 至+100° C, 短时至+120° C  
 动态: -20° C, 至+80° C, 短时至+120° C



未经授权不得修改和复印  
 该知识产权属于技术质量部。

DIMENSION	TOLERANCES					DWG. BY	liu liang	UNIT	mm
0.0 0.00	±1.0					CHK. BY	Sullivan	REV.	A
FIRST ANGLE PROJ		A	NEW PART	Sullivan	DWG. BY	zy.wong	2012/08	APP. BY	zhuyan
LIT.		REVISION	RECORD	DWG. BY	CHK. BY	DATE			
LIT.		REVISION	RECORD	DWG. BY	CHK. BY	DATE			
LIT.		REVISION	RECORD	DWG. BY	CHK. BY	DATE			
LIT.		REVISION	RECORD	DWG. BY	CHK. BY	DATE			