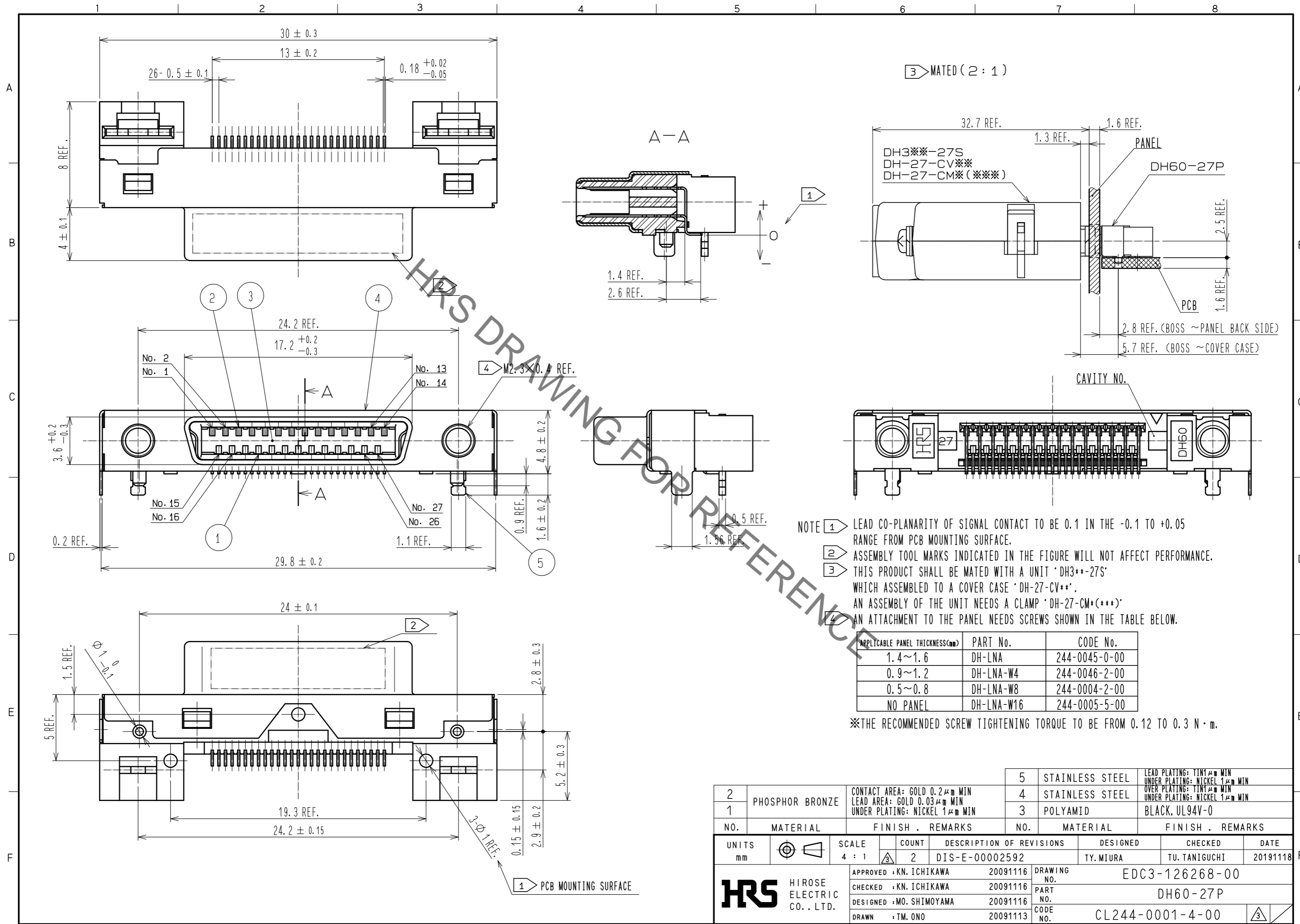
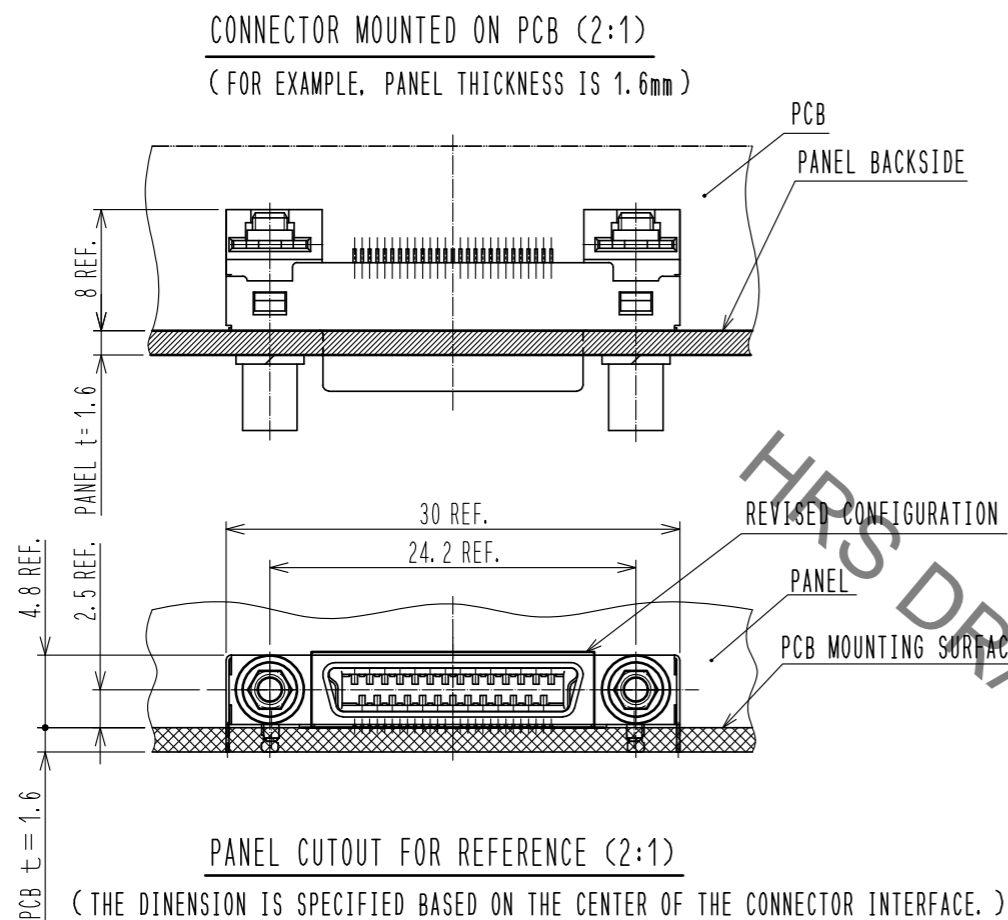


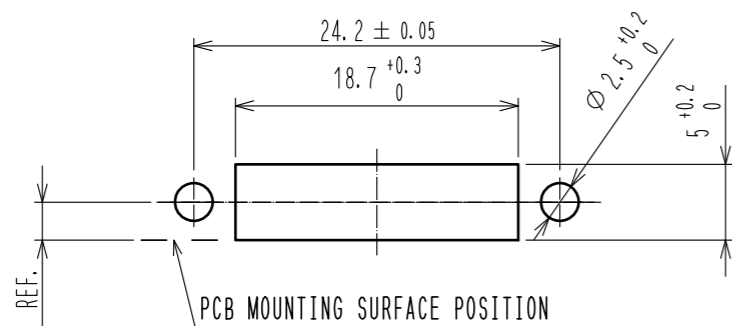
Aug.1.2021 Copyright 2021 HIROSE ELECTRIC CO., LTD. All Rights Reserved.
In case of consideration for using Automotive equipment / device which demand high reliability, kindly contact our sales window correspondents.



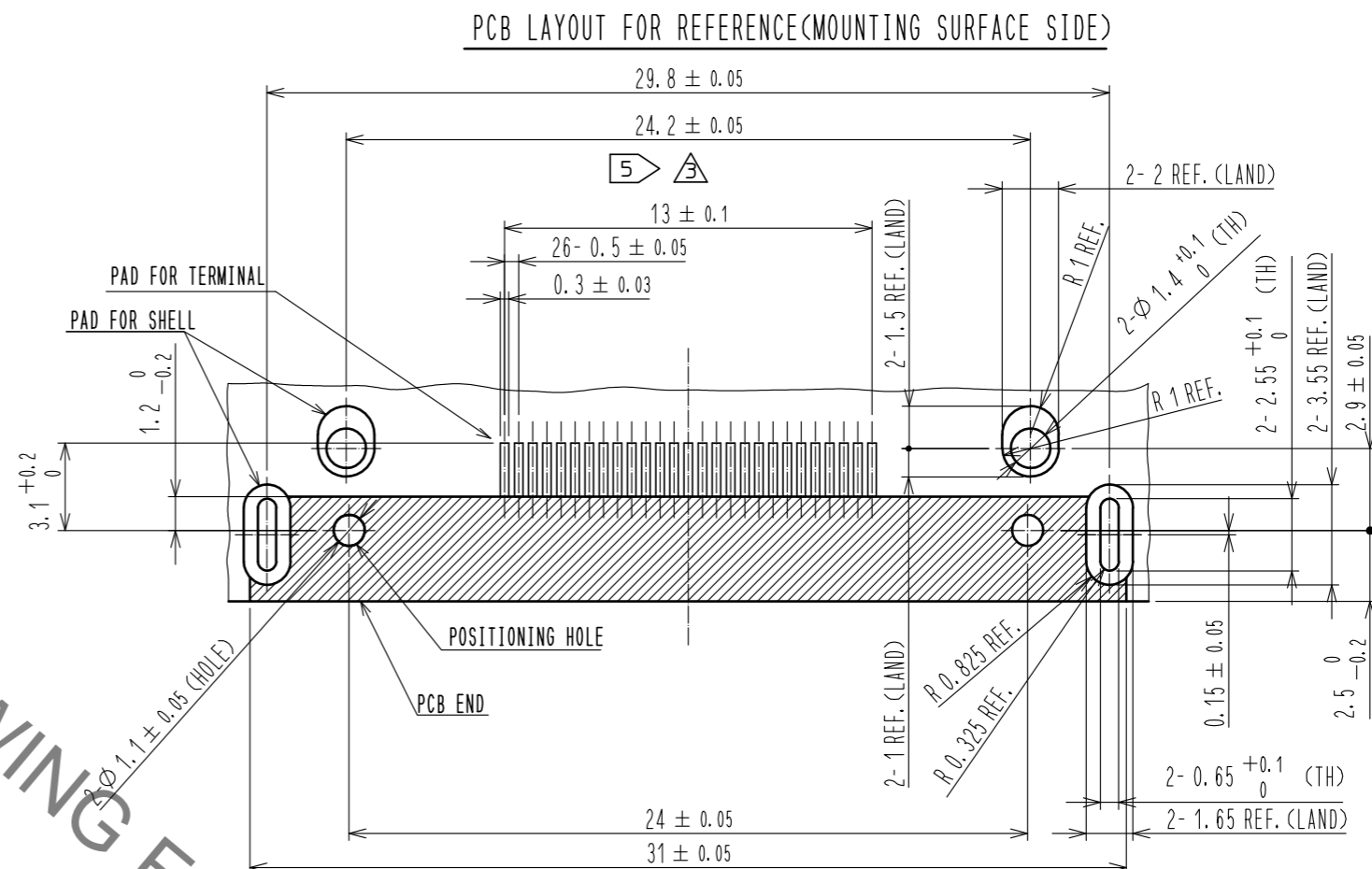
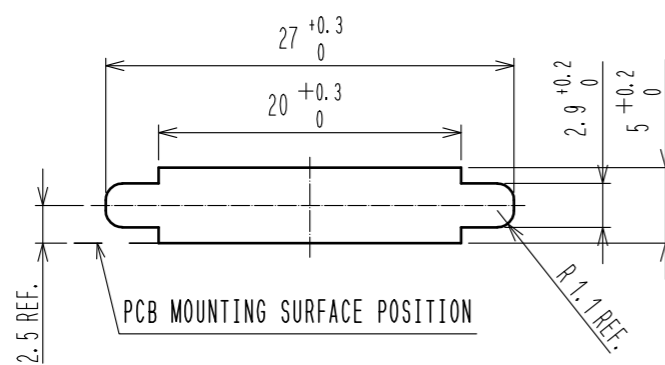
Aug.1.2021 Copyright 2021 HIROSE ELECTRIC CO., LTD. All Rights Reserved.
 In case of consideration for using Automotive equipment / device which demand high reliability, kindly contact our sales window correspondents.



DH-LNA (CL244-0045-0-00) IS USED.



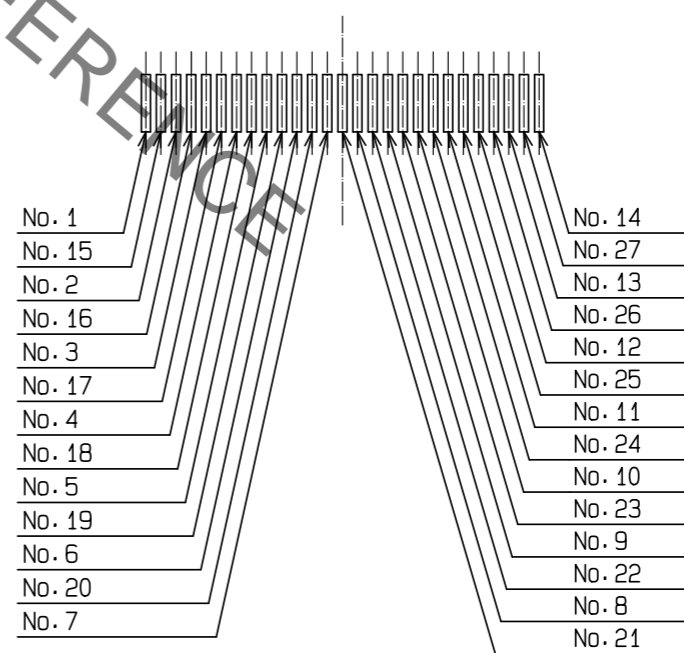
DH-LNA-W4 (CL244-0046-2-00)
 DH-LNA-W8 (CL244-0004-2-00) IS USED.



▨ : PATTERN PROHIBITION AREA
 ⚠ (DELETE NOTE)

TERMINAL No. CHART

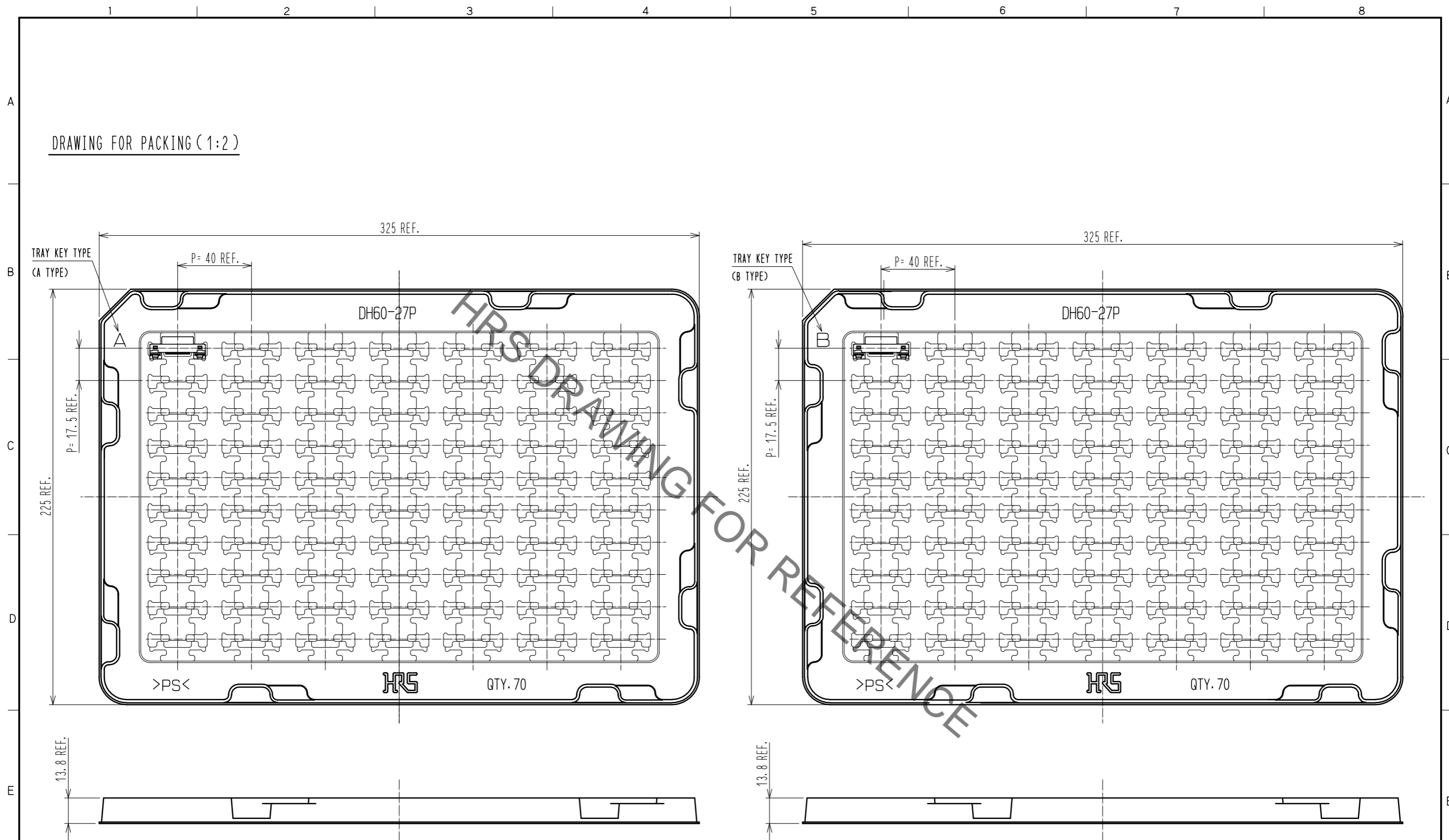
5 THE CHANGES IN ⚠ ARE THE DELETION OF THE REFERENCE PLANE POSITION AND THE DELETION OF DIMENSIONS.



HRS	DRAWING NO.	EDC3-126268-00
	PART NO.	DH60-27P
	CODE NO.	CL244-0001-4-00

Aug.1.2021 Copyright 2021 HIROSE ELECTRIC CO., LTD. All Rights Reserved.
In case of consideration for using Automotive equipment / device which demand high reliability, kindly contact our sales window correspondents.

DRAWING FOR PACKING (1:2)



※TRAYS. A TYPE AND B TYPE. ARE PILED UP ALTERNATELY.

HRS	DRAWING NO.	EDC3-126268-00
	PART NO.	DH60-27P
	CODE NO.	CL244-0001-4-00
		3