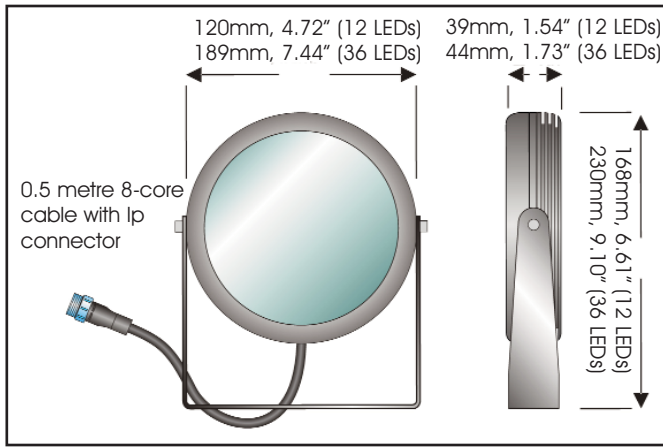




ES Series RGB LED Luminaire



Certifications & Compliance

- ▷ CE Compliant to EN 62031
- ▷ IP67 rated as standard

Features & Benefits:

- ▷ Utilises the latest high efficiency LUXEON® Rebel™ LED technology
- ▷ > 70% lumen maintenance @ 50,000 hours at max operating temperature
- ▷ Low power consumption
- ▷ Choice of optical patterns available

Order Codes:

ESS-AA-RGB-B

Housing Colour (S)	# of LEDs (AA)	Typical Power Consumption (Watts)	Lens Type (B)
Silver	12	14.4	SD (Spot Diffused) = Spot 7°
			MD(Medium) = Medium 10°
	36	43.2	WD (Wide) = Wide 20°

Ordering Codes: Compatible Drivers

Part Number	DESCRIPTION
CDU-L-3-35-DMX	3 Channel 350mA Constant Current Driver with DMX interface

Application:

Utilizes the latest high efficiency LUXEON Rebel LED technology. Applications include Exterior Lighting, Architectural Lighting, Wall Washing, Nightclubs and Entertainment. Choice of optical patterns available. All of Dialight's long life LED luminaires are designed to meet the most demanding specification criteria while offering maximum energy savings, reduced maintenance costs, and a superior quality of light.

Mechanical Information:

Fixture Dimensions:
 12 LEDs = 120mm x 168mm x 39mm
 [4.72" X 6.61" X 1.54"]
 36 LEDs = 189mm x 230mm x 44mm
 [7.44" X 9.10" X 1.73"]

Container Weight:
 12 LEDs - 2.5kg / 5.5lbs
 36 LEDs - 2.5kg / 5.5lbs

Mounting: Adjustable bracket

Electrical specifications:

Operating Temperature: -20°C to +45°C

Drive Current: 350mA

Housing: Silver Anodised Aluminium Housing

Lens: Glass and Resin Lens

Photometric Information:

12 LEDs
 36 LEDs

