

**PLEASE CHECK WWW.MOLEX.COM FOR LATEST PART INFORMATION**

**Part Number:** [0554016039](#)  
**Status:** **Contact Molex**  
**Overview:** [qf50](#)  
**Description:** 2.54mm (.100") Pitch QF-50™ Flat Ribbon Cable Header, Dual Row, Vertical, Shrouded Header with Eject Levers, 60 Circuits, Central MatingKey, Lead-free

**Documents:**

[3D Model](#) [Product Specification PS-54559-005 \(PDF\)](#)  
[Drawing \(PDF\)](#) [RoHS Certificate of Compliance \(PDF\)](#)

**General**

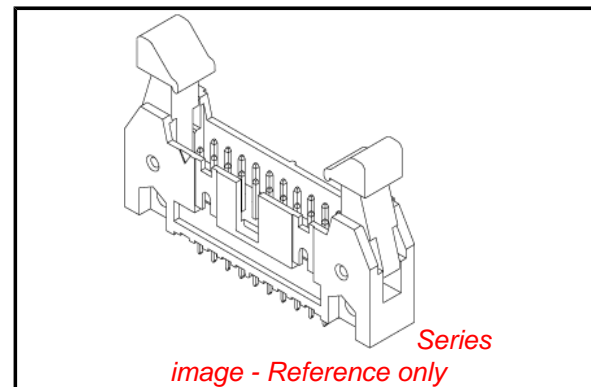
Product Family	PCB Headers
Series	<a href="#">55401</a>
Application	Wire-to-Board
Overview	<a href="#">qf50</a>
Product Name	QF-50™

**Physical**

Breakaway	No
Circuits (Loaded)	60
Circuits (maximum)	60
Color - Resin	Black
Durability (mating cycles max)	500
First Mate / Last Break	No
Glow-Wire Compliant	No
Guide to Mating Part	No
Keying to Mating Part	None
Lock to Mating Part	Yes
Material - Metal	Brass
Material - Plating Mating	Gold
Material - Plating Termination	Tin
Material - Resin	Polyester
Number of Rows	2
Orientation	Vertical
PCB Locator	No
PCB Retention	Yes
PCB Thickness Recommended (in)	0.062 In
PCB Thickness Recommended (mm)	1.60 mm
Packaging Type	Tray
Pitch - Mating Interface (in)	0.100 In
Pitch - Mating Interface (mm)	2.54 mm
Plating min: Mating (µin)	12
Plating min: Mating (µm)	0.3
Plating min: Termination (µin)	101.6
Plating min: Termination (µm)	2.54
Polarized to Mating Part	Yes
Shrouded	Fully
Stackable	No
Surface Mount Compatible (SMC)	No
Temperature Range - Operating	-40°C to +85°C
Termination Interface: Style	Through Hole

**Electrical**

Current - Maximum per Contact	1A
Voltage - Maximum	300V



**EU RoHS**

**ELV and RoHS Compliant**  
**REACH SVHC**  
 Not Reviewed  
**Halogen-Free Status**  
**Not Reviewed**

**China RoHS**



**Need more information on product environmental compliance?**

Email [productcompliance@molex.com](mailto:productcompliance@molex.com)  
 For a multiple part number RoHS Certificate of Compliance, [click here](#)

Please visit the [Contact Us](#) section for any non-product compliance questions.

**Search Parts in this Series**

[55401Series](#)

**Mates With**

[54559](#) QF-50™ Flat Cable Receptacle Housing

**Material Info**

**Reference - Drawing Numbers**

Product Specification

Sales Drawing

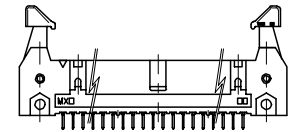
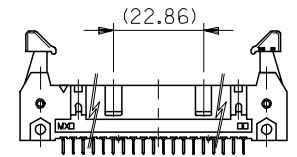
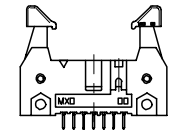
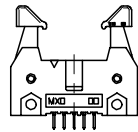
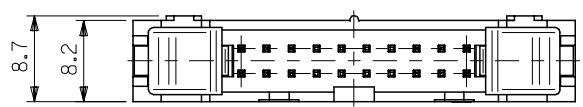
PS-54559-005, RPS-54559-017

SD-55401-004

This document was generated on 06/02/2010

**PLEASE CHECK [WWW.MOLEX.COM](http://WWW.MOLEX.COM) FOR LATEST PART INFORMATION**

10 9 8 7 6 5 4 3 2 1



10極に適用。

14極に適用。

55401-5011,6011,6411に適用。

55401-5031,6031,6431に適用。

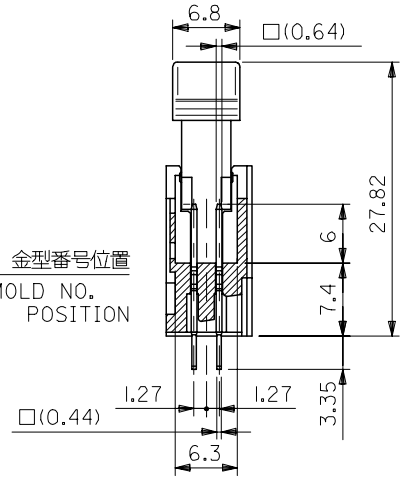
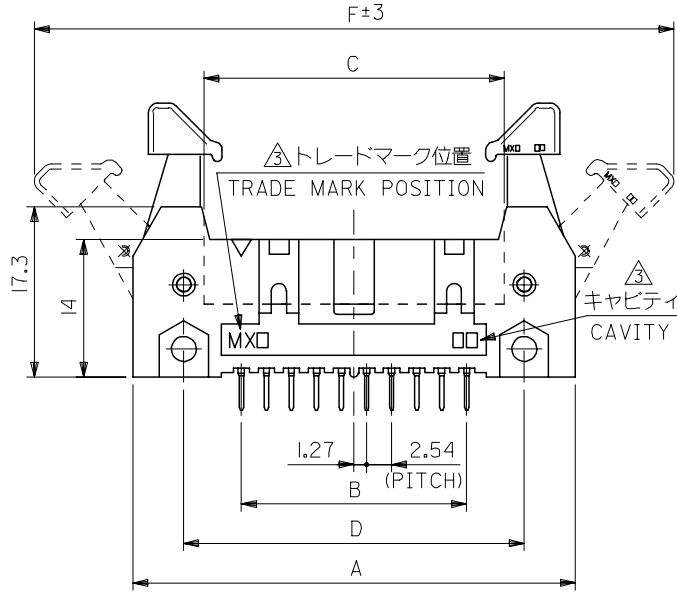
APPLY FOR 10 CKTS. APPLY FOR 14 CKTS.

APPLY FOR 55401-5011,6011,6411.

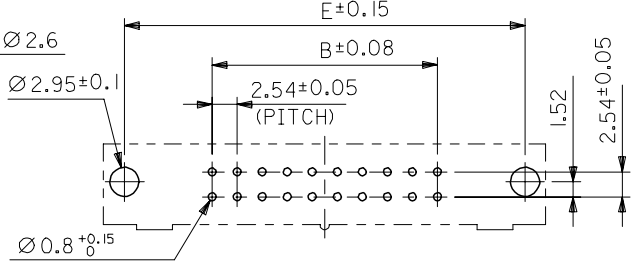
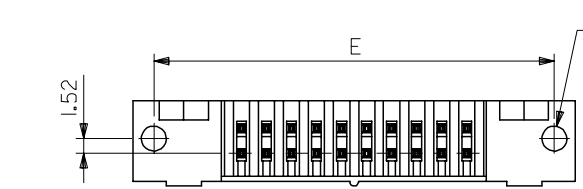
APPLY FOR 55401-5031,6031,6431.

注記 NOTES

- 材料ハウジング : PBT (UL94V-0), 黒色  
 レバー : PBT (UL94V-0), 黒色  
 ターミナル : リン青銅 (ニッケル下地 錫・金メッキ)  
 MATERIAL HOUSING : PBT, UL94V-0, BLACK  
 TERMINAL: PHOS.BRO. (Au, Sn PLATING, Ni UNDER-PLATING)
  - 嵌合相手 : 54559-\*\*\*1, 54559-\*\*21 (50極以上は除く) は55401-\*\*\*19に適用。  
 54559-5021,6021,6421,\*\*41は55401-\*\*\*39に適用。  
 MATE WITH : 54559-\*\*\*11, 54559-\*\*21 (EXCLUDES MORE THAN 50 CKT.)  
 SUITS 55401-\*\*\*19.  
 54559-5021,6021,6421,\*\*41 SUITS 55401-\*\*\*39.
- △ トレードマーク : MXプラス1文字の製造工場を示すアルファベットにて構成  
 但し、"J"はJAPANを示す。(例 MX J)  
 キャビティ番号 : 1桁の数字で表示  
 金型番号 : アルファベット1文字にて構成。  
 FORMED BY MX AND I MORE LETTER OF ALPHABET WHICH MEAN THE MANUFACTORY, BUT "J" MEANS JAPAN. (TO TRADE MARK)  
 (e.g. MXJ)  
 AND BY I DIGIT NUMBER (TO CAVITY NO.)  
 AND BY I LETTER OF ALPHABET (TO MOLD NO.)



SECT. L-L



推奨基板厚 : 1.6mm  
 RECOMMENDED P.C.BOARD THICKNESS 1.6mm

基板穴推奨寸法

RECOMMENDED P.C.BOARD LAYOUT

120.31	96.52	90.42	86.34	78.74	100.74	55401-6439	64
						55401-6419	
115.23	91.44	85.34	81.26	73.66	95.66	55401-6039	60
						55401-6019	
102.53	78.74	72.64	68.56	60.96	82.96	55401-5039	50
						55401-5019	
89.83	66.04	59.94	55.86	48.26	70.26	55401-4019	40
82.21	58.42	52.32	48.24	40.64	62.64	55401-3419	34
77.13	53.34	47.24	43.16	35.56	57.56	55401-3019	30
72.05	48.26	42.16	38.08	30.48	52.48	55401-2619	26
64.43	40.64	34.54	30.46	22.86	44.86	55401-2019	20
59.35	35.56	29.46	25.38	17.78	39.78	55401-1619	16
56.81	33.02	26.92	22.84	15.24	37.24	55401-1419	14
51.73	27.94	21.84	17.76	10.16	32.16	55401-1019	10
F	E	D	C	B	A	MATERIAL NO. CKT.	

注記 NOTES

4. 本製品は 55401-\*\*\*1 の鉛フリー品である。  
 THIS PRODUCT IS LEAD FREE OF 55401-\*\*\*1.

材料 MATERIAL	SEE NOTES
仕上げ FINISH	SEE NOTES
適用電線範囲 WIRE RANGE	—
被覆外径 INS. RANGE	—

RELEASED EC NO: J2005-0827 DRAWN: MNABE CHKD: KTOJO APPR: NUKITA	2004/09/17 2004/09/17 2004/09/27	GENERAL TOLERANCES (UNLESS SPECIFIED)		DIMENSION STYLE		SCALE	DESIGN UNITS	MODEL NO.		
		10 UNDER ±0.2		MM ONLY		2:1	METRIC	55401-***9		
		10 OVER 30 UNDER ±0.25		APPROVED BY		TITLE		2.54 FLAT CABLE CONN HEADER ASSY -LEAD FREE- MOLEX INCORPORATED		
		30 OVER ±0.3		DATE		SD-55401-004				
ANGULAR ±3 °		MATERIAL NO.		DOCUMENT NO.		SHEET NO.				
DRAFT WHERE APPLICABLE MUST REMAIN WITHIN DIMENSIONS		SEE CHART		SD-55401-004		1 OF 1				
THIS DRAWING CONTAINS INFORMATION THAT IS PROPRIETARY TO MOLEX INCORPORATED AND SHOULD NOT BE USED WITHOUT WRITTEN PERMISSION										